

Excellent Integrated System Limited

Stocking Distributor

Click to view price, real time Inventory, Delivery & Lifecycle Information:

[Molex Connector Corporation](#)
[0731000071](#)

For any questions, you can email us directly:

sales@integrated-circuit.com

MATERIALS AND FINISHES

- BODY ZINC ALLOY
PLATED NICKEL
- CENTER CONTACT PHOSPHOR BRONZE
PLATED GOLD
- INSULATOR POLYPROPYLENE(94 V-2)

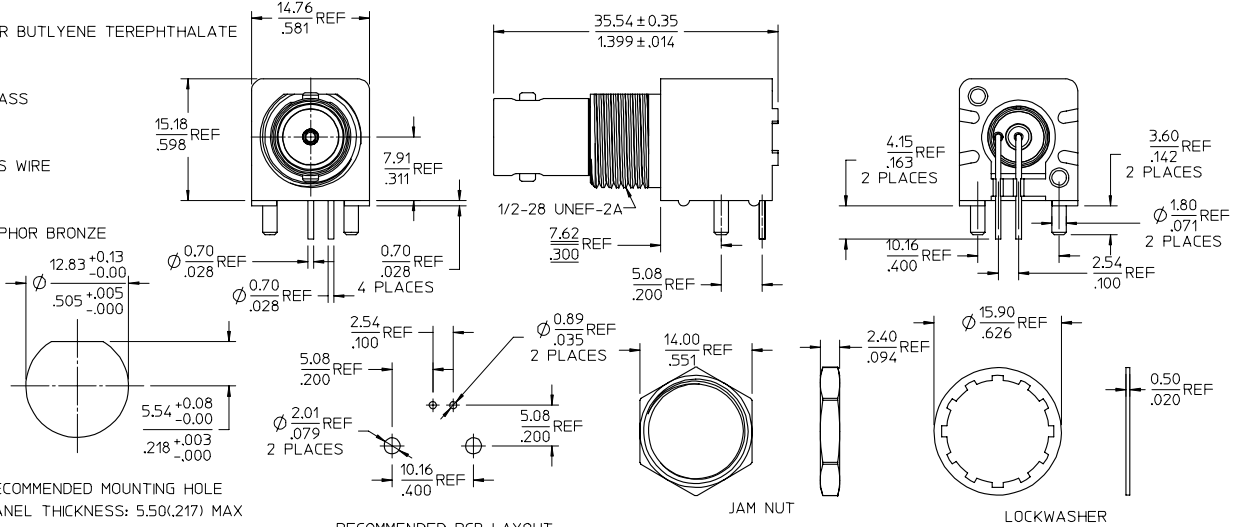
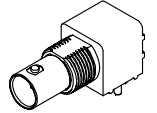
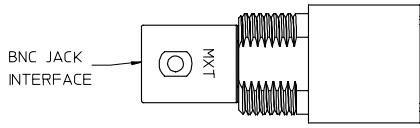
HOUSING POLYESTER BUTLYENE TEREPHTHALATE
COLOR WHITE

MOUNTING POST BRASS
PLATED TIN

SOLDER TAIL BRASS WIRE
PLATED TIN

LOCKWASHER PHOSPHOR BRONZE
PLATED NICKEL

JAM NUT BRASS
PLATED NICKEL



RECOMMENDED MOUNTING HOLE
PANEL THICKNESS: 5.50(.217) MAX
RECOMMENDED MOUNTING TORQUE:
0.56 N-m(5 INCH-LBS)

RECOMMENDED PCB LAYOUT

JAM NUT

LOCKWASHER

PS-73598-0051	PRODUCT SPECIFICATION
ES-73599-0000	INTERFACE
SPECIFICATION	DESCRIPTION

73171-3010	73100-0071, ONE PER BAG
73100-0071	TRAY PACK
PART NO.	PACKAGING

(CHG: REDREW IN SD DATED IN 73171-3010 EC NO: URF2007-0396 2007/05/11 DRW: TELAHARTY 2007/05/11 CHK: KOSHAH 2007/05/11 APPR: IMIENER 2007/05/11 DESCRIPTION A3 REV	QUALITY SYMBOLS	GENERAL TOLERANCES (UNLESS SPECIFIED) 4 PLACES ± .005 ± .005 3 PLACES ± .005 ± .005 2 PLACES ± .005 ± .005 1 PLACE ± .005 ± .005 ANGULAR ± 2°	DIMENSION STYLE MM/IN SCALE DESIGN UNITS METRIC THIRD ANGLE PROJECTION	DRAWN BY C. M. HUANG DATE 1993/02/01 CHECKED BY DATE APPROVED BY DATE	TITLE BNC JACK, R/A BULKHEAD PCB, 75 OHMS BNC-J/RA/BLK/PCB MOLEX INCORPORATED
	DRAFT WHERE APPLICABLE MUST REMAIN WITHIN DIMENSIONS	MATERIAL NO. SEE TABLE SIZE C	DOCUMENT NO. SD-73100-0071	SHEET NO. 1 OF 1	