

Excellent Integrated System Limited

Stocking Distributor

Click to view price, real time Inventory, Delivery & Lifecycle Information:

[Molex Connector Corporation](#)

[0731000131](#)

For any questions, you can email us directly:

sales@integrated-circuit.com

MATERIALS AND FINISHES

BODY ZINC ALLOY
PLATED NICKEL

CENTER CONTACT PHOSPHOR BRONZE
PLATED GOLD

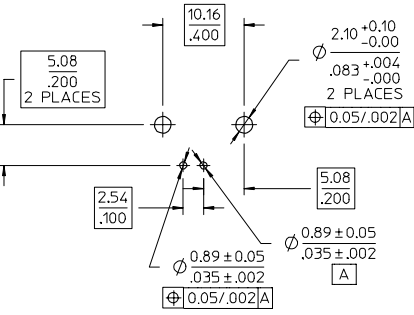
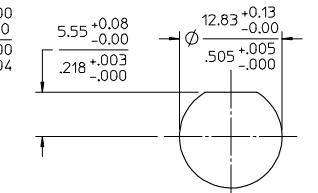
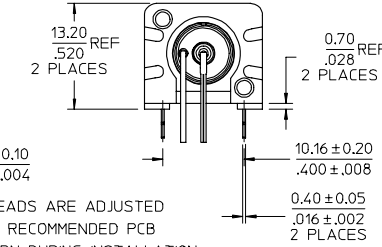
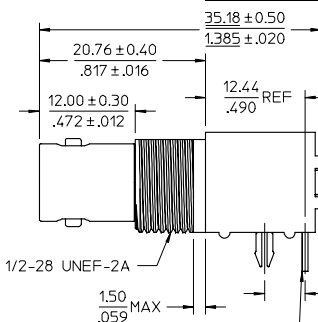
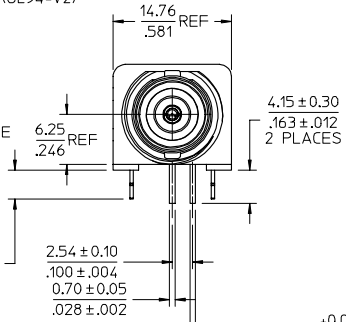
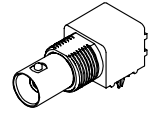
INSULATOR POLYPROPYLENE (UL94-V2)

HOUSING P.B.T.
COLOR WHITE

SOLDER TAIL
COPPER COVERED STEEL WIRE
PLATED TIN

BOARD LOCK CLIP
PHOSPHOR BRONZE
PLATED TIN

BNC JACK
INTERFACE



RECOMMENDED MOUNTING HOLE
RECOMMENDED MOUNTING TORQUE: 0.56 N-m(5.0 IN-LBS)
PANEL THICKNESS: 5.5(.217) MAX

RECOMMENDED PCB LAYOUT

73171-3040	73100-0131, ONE PER BAG
73100-0131	TRAY PACK
PART NO.	PACKAGING

ES-73599-0000	INTERFACE
PS-73598-0050	ELECTRO/MECH PERFORM
SPECIFICATION	DESCRIPTION

CHG: REDREW IN SD DATED: JIN 7/31/15-3070 IEC NO: URF/2007-0396 DRWING: LAHERY 2007/05/14 CHK: KOS: SHAH 2007/05/14 APPR: JMW: ENR 2007/05/14 DESCRIPTION B1	QUALITY SYMBOLS ▽=0 ▽=0	GENERAL TOLERANCES (UNLESS SPECIFIED) 4 PLACES ±--- ±--- 3 PLACES ±--- ±--- 2 PLACES ±--- ±--- 1 PLACE ±--- ±--- ANGULAR ±---°	DIMENSION STYLE: MM/IN SCALE: DESIGN UNITS METRIC THIRD ANGLE PROJECTION
	DRAWN BY: KELLY DATE: 1994/01/14 CHECKED BY: DATE APPROVED BY: DATE	MATERIAL NO.: SEE TABLE DOCUMENT NO.: SD-73100-0131 SHEET NO.: 1 OF 1	MOLEX INCORPORATED