

Excellent Integrated System Limited

Stocking Distributor

Click to view price, real time Inventory, Delivery & Lifecycle Information:

[Molex Connector Corporation](#)
[0731000135](#)

For any questions, you can email us directly:

sales@integrated-circuit.com

MATERIALS AND FINISHES

BODY, CAP: ZINC ALLOY
PLATED NICKEL

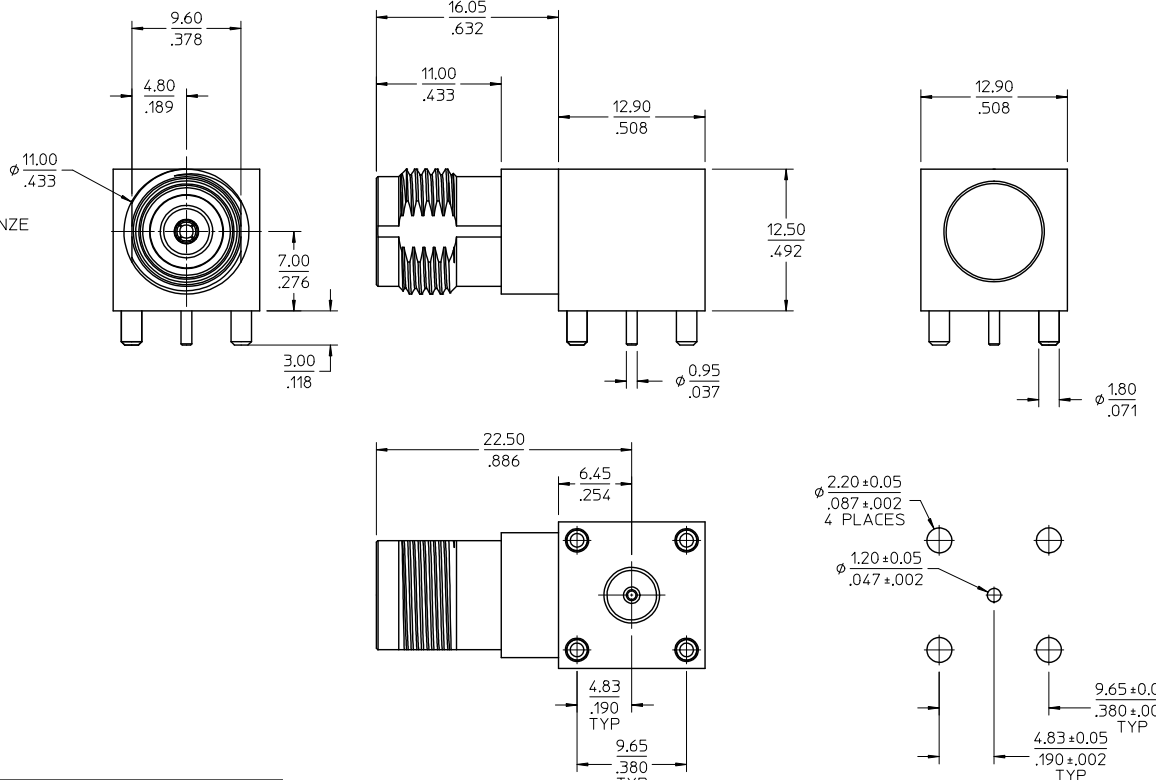
RING: BRASS
PLATED NICKEL

LEGS: BRASS
PLATED TIN

CONTACT FRONT: PHOSPHOR BRONZE
PLATED GOLD

CONTACT REAR: BRASS
PLATED GOLD

INSULATORS: TEFLON



73216-2710	1 PIECE 73100-0135 IN SINGLE BAG WITH LABEL
73100-0135	STANDARD
PART NO.	PACKAGING

PS-89675-1400	PRODUCT SPECIFICATION
MIL-STD-348A, FIG. 313.2	INTERFACE
SPECIFICATION	DESCRIPTION

CHG: CAP MATERIAL WAS BRASS EC NO: URF2015-0552 DRW: AROBERTSON 2015/04/07 CHK: KSSS 2015/04/07 APPR: AROBERTSON 2015/04/07 A2	QUALITY SYMBOLS ▽=0 ▽=0	GENERAL TOLERANCES (UNLESS SPECIFIED)		DIMENSION STYLE		SCALE	DESIGN UNITS	THIRD ANGLE PROJECTION	
		mm	INCH	MM/IN		METRIC	☉	☐	
		4 PLACES	± ---	± ---	DRAWN BY	DATE	TITLE		
		3 PLACES	± ---	± ---	AROBERTSON	2011/03/31	TNC JACK RA		
		2 PLACES	± ---	± ---	CHECKED BY	DATE	PCB TH 50 OHM		
		1 PLACE	± ---	± ---	SSS	2011/03/31	TNC-J/PCB		
		ANGULAR ± 2 °		APPROVED BY	DATE	MOLEX INCORPORATED			
		DRAFT WHERE APPLICABLE MUST REMAIN WITHIN DIMENSIONS		JWIENER	2011/04/04	SD-73100-0135			
				MATERIAL NO.	DOCUMENT NO.	SHEET NO.			
				SEE TABLE	SD-73100-0135	1 OF 1			
				THIS DRAWING CONTAINS INFORMATION THAT IS PROPRIETARY TO MOLEX INCORPORATED AND SHOULD NOT BE USED WITHOUT WRITTEN PERMISSION					

MATERIALS AND FINISHES

BODY, CAP: ZINC ALLOY
PLATED NICKEL

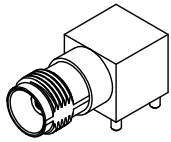
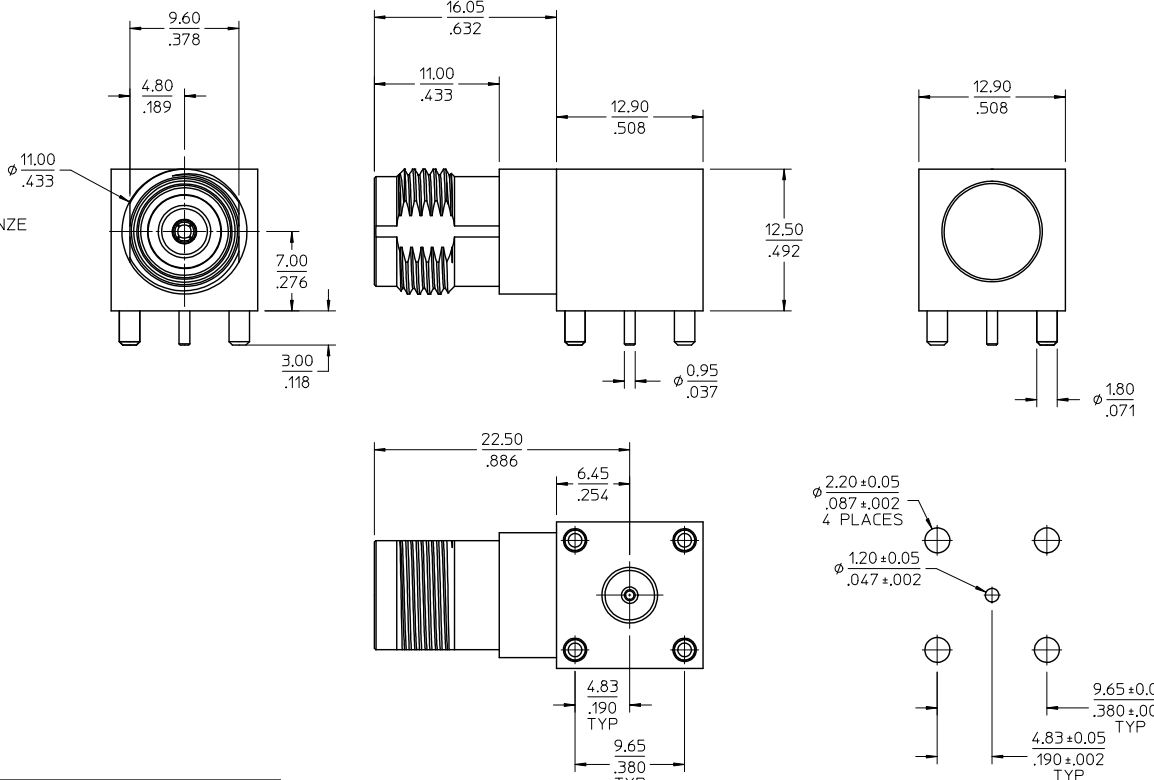
RING: BRASS
PLATED NICKEL

LEGS: BRASS
PLATED TIN

CONTACT FRONT: PHOSPHOR BRONZE
PLATED GOLD

CONTACT REAR: BRASS
PLATED GOLD

INSULATORS: TEFLON



73216-2710	1 PIECE 73100-0135 IN SINGLE BAG WITH LABEL
73100-0135	STANDARD
PART NO.	PACKAGING

PS-89675-1400	PRODUCT SPECIFICATION
MIL-STD-348A, FIG. 313.2	INTERFACE
SPECIFICATION	DESCRIPTION

CHG: CAP MATERIAL WAS BRASS EC NO: URF2015-0552 DRW: AROBERTSON 2015/04/07 CHK: SSS 2015/04/07 APPR: AROBERTSON 2015/04/07 A1	QUALITY SYMBOLS ▽=0 ▽=0	GENERAL TOLERANCES (UNLESS SPECIFIED) mm INCH 4 PLACES ± --- ± --- 3 PLACES ± --- ± --- 2 PLACES ± --- ± --- 1 PLACE ± --- ± --- ANGULAR ± 2°	DIMENSION STYLE MM/IN	SCALE METRIC	DESIGN UNITS THIRD ANGLE PROJECTION
		DRAFT WHERE APPLICABLE MUST REMAIN WITHIN DIMENSIONS	DRAWN BY AROBERTSON 2011/04/01	CHECKED BY SSS 2011/04/01	APPROVED BY JWIENER 2011/04/04
		MATERIAL NO. SEE TABLE	DOCUMENT NO. SD-73216-271	SHEET NO. 1 OF 1	