

## Excellent Integrated System Limited

Stocking Distributor

Click to view price, real time Inventory, Delivery & Lifecycle Information:

[Molex Connector Corporation](#)  
[0638516070](#)

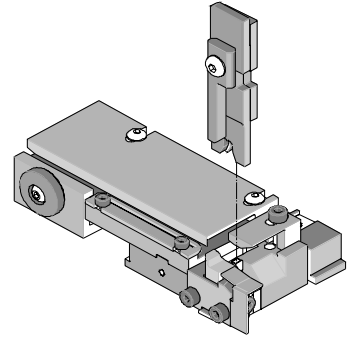
For any questions, you can email us directly:

[sales@integrated-circuit.com](mailto:sales@integrated-circuit.com)

63851-6000 T2 Terminator



**T2 Terminator Tooling  
Specification Sheet  
Part No. 63851-6000**



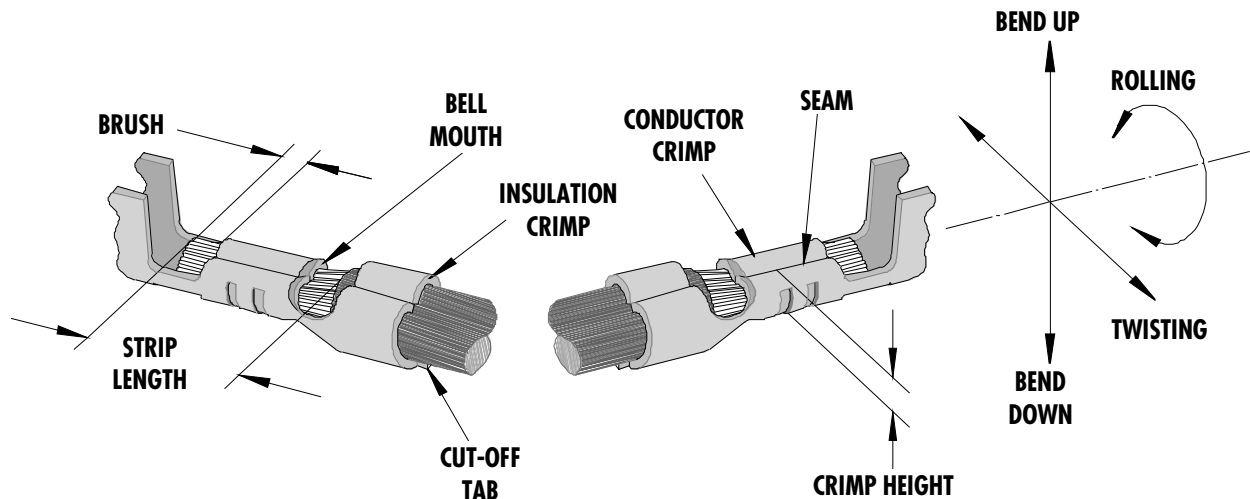
**FEATURES**

- It is ideally suited for mid-volume bench operations
- This terminator can be installed in the TM42 and the TM40 press or Base Unit adapter for 3BF press
- Quick punch removal with the push of a button for fast and easy tooling change
- Track adjustment capabilities in the T2 Terminators for improved control of the bell mouth size and cutoff tab length
- T2 Terminator has standardized tooling with the Molex FineAdjust Applicator which will reduce your inventory requirements

**SCOPE**

| Terminal Series No. | Wire Size |                 | Insulation Diameter |           | Strip Length |           |
|---------------------|-----------|-----------------|---------------------|-----------|--------------|-----------|
|                     | AWG       | mm <sup>2</sup> | mm                  | In.       | mm           | In.       |
| 5263PBT             | 22 - 28   | 0.35-0.08       | 1.15-1.90           | .045-.075 | 2.40-2.90    | .094-.114 |
| 5263PBT2            | 22 - 28   | 0.35-0.08       | 1.15-1.90           | .045-.075 | 2.40-2.90    | .094-.114 |
| 45627-0001          | 22 - 24   | 0.35-0.20       | 1.15-1.90           | .045-.075 | 2.40-2.90    | .094-.114 |
| 45627-0002          | 22 - 24   | 0.35-0.20       | 1.15-1.90           | .045-.075 | 2.40-2.90    | .094-.114 |

**DEFINITION OF TERMS**



The above terminal drawing is a generic terminal representation. It is not an image of a terminal listed in the scope.

63851-6000 T2 Terminator

### CRIMP SPECIFICATION

| Terminal Series No. | Bell mouth |           | Cut-off Tab Max. |      | Conductor Brush |           |
|---------------------|------------|-----------|------------------|------|-----------------|-----------|
|                     | mm         | In.       | mm               | In.  | mm              | In.       |
| 5263PBT             | 0.20-0.50  | .008-.020 | 0.30             | .012 | 0.00-1.00       | .000-.039 |
| 5263PBT2            | 0.20-0.50  | .008-.020 | 0.30             | .012 | 0.00-1.00       | .000-.039 |
| 45627-0001          | 0.20-0.50  | .008-.020 | 0.30             | .012 | 0.00-1.00       | .000-.039 |
| 45627-0002          | 0.20-0.50  | .008-.020 | 0.30             | .012 | 0.00-1.00       | .000-.039 |

| Terminal Series No. | Bend up Bend down |     | Twist | Roll | Punch Width (Ref) |      |           |      | Seam<br>Seam shall not be open and no wire allowed out of the crimping area |
|---------------------|-------------------|-----|-------|------|-------------------|------|-----------|------|---|
|                     | Degree            |     |       |      | Degree            |      | Conductor |      |   |
|                     | mm                | In. | mm    | In.  | mm                | In.  | mm        | In.  |   |
| 5263PBT             | 4                 | 2   | 8     | 8    | 1.40              | .055 | 1.90      | .075 |   |
| 5263PBT2            | 4                 | 2   | 8     | 8    | 1.40              | .055 | 1.90      | .075 |   |
| 45627-0001          | 4                 | 2   | 8     | 8    | 1.40              | .055 | 1.90      | .075 |   |
| 45627-0002          | 4                 | 2   | 8     | 8    | 1.40              | .055 | 1.90      | .075 |   |

After crimping, the conductor profile should measure the following.

| Terminal Series No. | Wire Size |                 | Crimp Height |           | Pull Force Min. |     |
|---------------------|-----------|-----------------|--------------|-----------|-----------------|-----|
|                     | AWG       | mm <sup>2</sup> | mm           | In.       | N               | Lb. |
| 5263PBT             | 22        | 0.35            | 0.69-0.76    | .027-.030 | 39.1            | 8.8 |
| 5263PBT             | 24        | 0.20            | 0.63-0.70    | .025-.028 | 29.4            | 6.6 |
| 5263PBT             | 26        | 0.12            | 0.59-0.65    | .023-.026 | 19.6            | 4.4 |
| 5263PBT             | 28        | 0.08            | 0.57-0.63    | .022-.025 | 9.8             | 2.2 |
| 5263PBT2            | 22        | 0.35            | 0.69-0.76    | .027-.030 | 39.1            | 8.8 |
| 5263PBT2            | 24        | 0.20            | 0.63-0.70    | .025-.028 | 29.4            | 6.6 |
| 5263PBT2            | 26        | 0.12            | 0.59-0.65    | .023-.026 | 19.6            | 4.4 |
| 5263PBT2            | 28        | 0.08            | 0.57-0.63    | .022-.025 | 9.8             | 2.2 |
| 45627-0001          | 22        | 0.35            | 0.69-0.76    | .027-.030 | 39.1            | 8.8 |
| 45627-0001          | 24        | 0.20            | 0.63-0.70    | .025-.028 | 29.4            | 6.6 |
| 45627-0002          | 22        | 0.35            | 0.69-0.76    | .027-.030 | 39.1            | 8.8 |
| 45627-0002          | 24        | 0.20            | 0.63-0.70    | .025-.028 | 29.4            | 6.6 |

Pull Force should be measured with no influence from the insulation crimp.

The above specifications are guidelines to an optimum crimp.

63851-6000 T2 Terminator

**PARTS LIST**

| Item | Order No          | Engineering No.   | Description                   | Quantity   |
|------|-------------------|-------------------|-------------------------------|------------|
|      | <b>63851-6000</b> | <b>63851-6000</b> | <b>T2 Terminator (Fig. 1)</b> | <b>REF</b> |
| 1    | 63444-1413        | 63444-1413        | Conductor Punch               | 1 Y        |
| 2    | 63445-1435        | 63445-1435        | Conductor Anvil               | 1 Y        |
| 3    | 63446-1906        | 63446-1906        | Insulation Punch              | 1 Y        |
| 4    | 63445-1906        | 63445-1906        | Insulation Anvil              | 1 Y        |
| 5    | 63443-0002        | 63443-0002        | Cut-Off Plunger               | 1 Y        |
| 6    | 63443-0012        | 63443-0012        | Front Plunger Retainer        | 1 Y        |
| 7    | 11-24-1067        | 4996-4            | Cut-off Plunger Spring        | 1          |
| 8    | 11-40-4039        | 8302-5            | Front Plunger Striker         | 1          |
| 9    | 63443-0021        | 63443-0021        | Lower Tooling Key             | 1          |
| 10   | 63443-6011        | 63443-6011        | Rear Cover                    | 1          |
| 11   | 11-18-4083        | 60707-8           | Front Cover                   | 1          |
| 12   | 63443-2406        | 63443-2406        | Anvil Mount                   | 1          |
| 13   | 63443-4005        | 63443-4005        | Wire Stop                     | 1          |
| 14   | 63443-0009        | 63443-0009        | Scrape Chute                  | 1          |
| 15   | 63800-8500        | 63800-8500        | T2 Terminator                 | 1          |
| 16   | N/A               | N/A               | M3 by 6Lg. SHCS               | 2**        |
| 17   | N/A               | N/A               | M4 by 6Lg. SHCS               | 1**        |
| 18   | N/A               | N/A               | M4 by 12Lg. BHCS              | 2**        |
| 19   | N/A               | N/A               | M4 by 16Lg. SHCS              | 1**        |
| 20   | N/A               | N/A               | M4 by 20Lg. SHCS              | 1**        |
| 21   | N/A               | N/A               | M4 by 50Lg. SHCS              | 1**        |
| 22   | N/A               | N/A               | 3MM by 6Lg. Roll Pin          | 1**        |
| 23   | N/A               | N/A               | #10-32 by 3/8"Lg. BHCS        | 1**        |
|      | <b>63851-6070</b> | <b>63851-6070</b> | <b>Tool Kit (All Y Items)</b> | <b>REF</b> |

\*\* The following purchased parts are available from an Industrial supply company such as MSC (1-800-645-7270).

63851-6000 T2 Terminator

**Assembly Drawing**

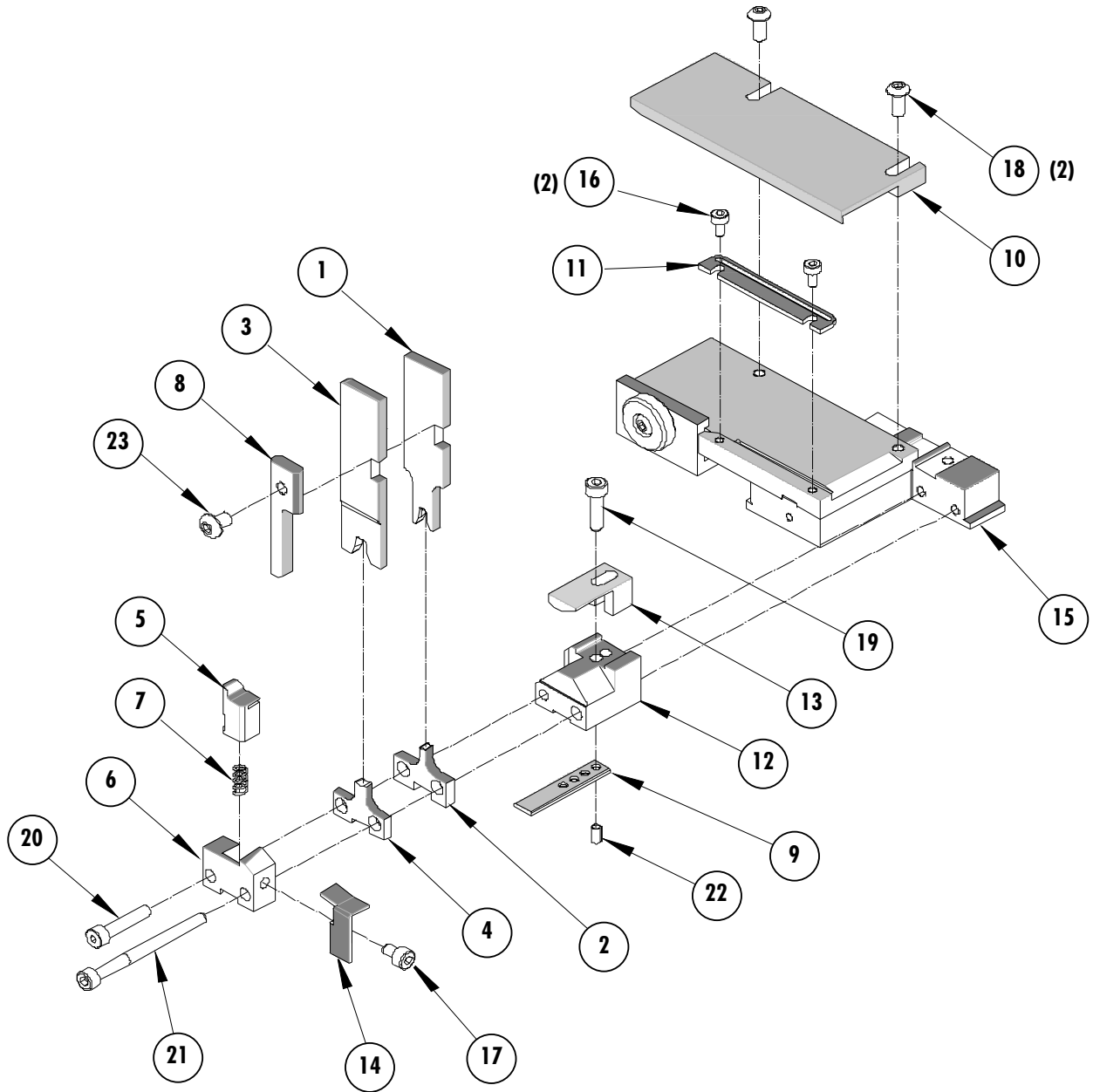


Figure 1

63851-6000 T2 Terminator

**NOTES**

Depending on the press vintage a feed finger assembly is supplied with the T2 Terminator.

1. To remove the existing feed finger assembly loosens the M4 x 10 mm set screw in the feed lever.
2. Select T2 Feed finger assembly from Terminator box.
3. Insert a screwdriver into the slot behind the feed lever and force the feed arm spring to the right.
4. Slide the T2 feed finger shaft for TM42 (11-40-5307) or (11-40-0123) for TM40 /Base Unit into the feed lever and to the left of the feed arm spring.
5. Release the feed arm spring.
6. Position feed finger for selected product. (Refer to Figure 5.1 in the T2 Manual).

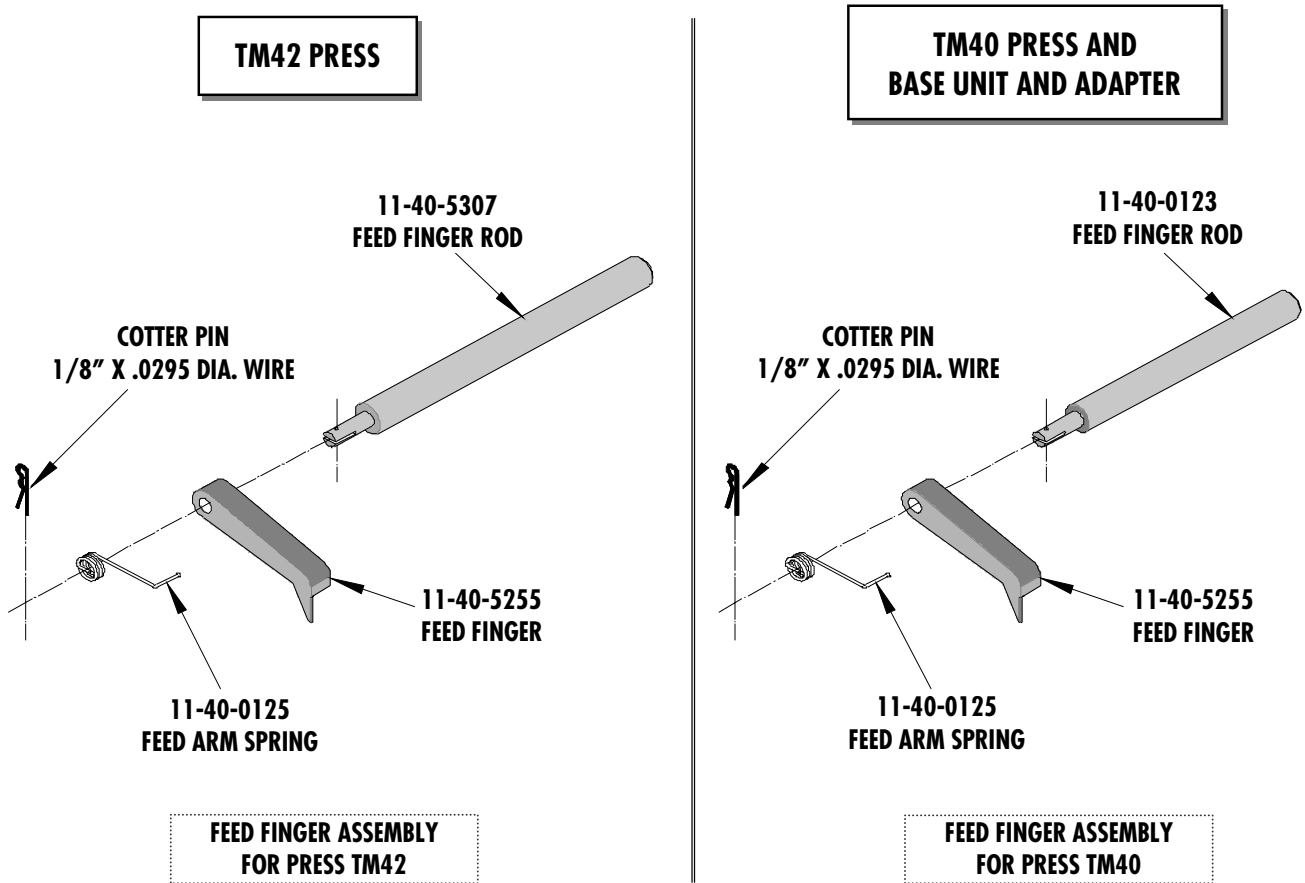


Figure 2

## 63851-6000 T2 Terminator

### NOTES

1. Molex recommends an extra perishable tooling kit be maintained at your facility.
2. Verify tooling alignment by manually cycling the press before crimping under power. Check that all screws are tight.
3. Slugs, Terminals, Dirt and Oil should be kept clear of work area.
4. This Terminator should be only used in a Molex TM42, TM40, or 3BF Press with a Base Unit adaptor.
5. Wear safety glasses at all times.
6. For recommended maintenance refer to the TM40, TM42 Manual.

**CAUTION:** To prevent injury never operate this Terminator without the guards supplied with the press or in place. Reference the TM42 press manufacturer's instruction manual.

**CAUTION:** Molex crimp specifications are valid only when used with Molex terminals, applicators and tooling.

#### Molex Application Tooling Group

1150 E. Diehl Road  
Naperville, IL 60563  
Tel: (630) 969-4550  
Fax: (630) 505-0049

Visit our Web site at <http://www.molex.com>