

Excellent Integrated System Limited

Stocking Distributor

Click to view price, real time Inventory, Delivery & Lifecycle Information:

[Molex Connector Corporation](#)
[0638689070](#)

For any questions, you can email us directly:

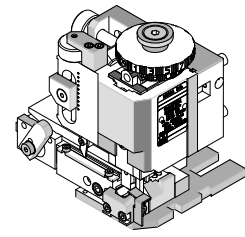
sales@integrated-circuit.com

Fine Adjust Applicator for CP 0.6 mm Terminal

**FineAdjust
Applicator**

molex

**Application Tooling
Specification Sheet**



Order No. 63868-9000

FEATURES

- Directly adapts to most automatic wire processing machines
- Quick punch removal with the push of a button for fast and easy tooling change
- Applicator designed to industry standard mounting and shut height 135.80mm (5.346")
- Quick set-up time; plus the crimp height, track and feed adjustments can be set without removing the applicator from the press
- Fine adjustment allows users to achieve target with little effort by adjusting in increments of .015mm (.0006") for conductor crimp height and .063mm (.0025") for insulation height
- Independent adjustment rings allow users to quickly adjust the conductor or insulation crimp height without affecting each other

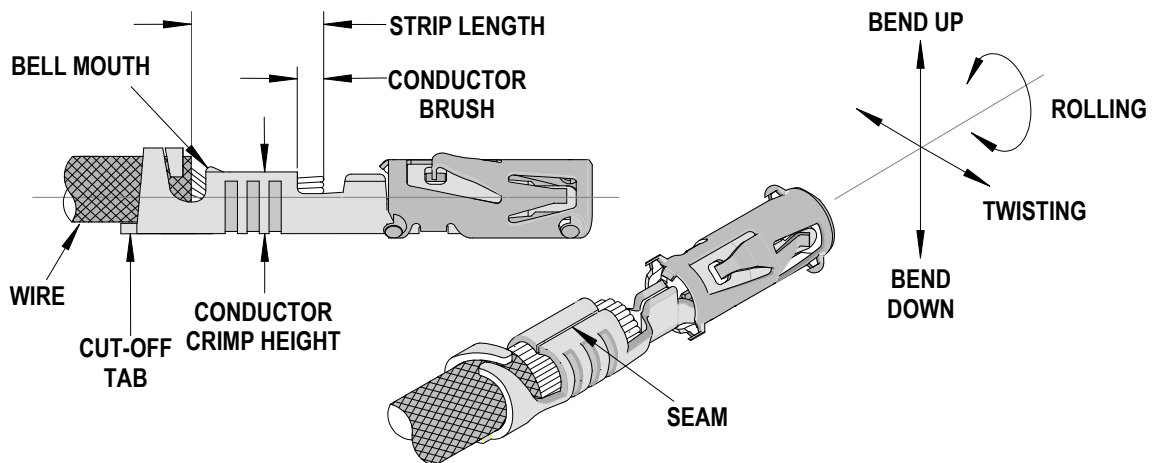
SCOPE

Products: 0.60mm (.024") CP Crimp Terminal for CMC connector, 22 AWG and 0.22, 0.35, 0.50mm².

| Terminal Series No. | Terminal Order No. | | | Wire Size | | Insulation Type | Insulation Diameter | | Strip Length | |
|---------------------|--------------------|------------|------------|-----------|-----------------|-----------------|---------------------|-----------|--------------|-----------|
| | | | | AWG | mm ² | | mm | In. | mm | In. |
| 98913 | 98913-1019 | 98913-1349 | 64322-1229 | 22 | --- | TXL | 1.50-1.65 | .059-.065 | 3.40-3.60 | .134-.142 |
| | 98913-1229 | 98913-3019 | 64322-1329 | --- | 0.35 | ID and IR | 1.25-1.40 | .049-.055 | 3.40-3.60 | .134-.142 |
| | 98913-1329 | 64322-1019 | 64322-1349 | --- | 0.22 | ID and IR | 1.15-1.25 | .045-.049 | 3.40-3.60 | .134-.142 |
| | 98913-1039 | 98913-1419 | 64322-1039 | --- | 0.50 | ID and IR | 1.40-1.70 | .055-.067 | 3.40-3.60 | .134-.142 |
| | 98913-1239 | 98913-3039 | 64322-1239 | | | | | | | |
| | 98913-1359 | | 64322-1359 | | | | | | | |

Note: Terminal will accommodate the thin wall small insulation with the TXL type American wires and the IR or ID type Metric wires

DEFINITION OF TERMS



Fine Adjust Applicator for CP 0.6 mm Terminal

CRIMP SPECIFICATION

| Terminal Series No. | Bell mouth | | Cut-off Tab Maximum | | Conductor Brush | |
|---------------------|------------|-----------|---------------------|------|-----------------|-----------|
| | mm | In. | mm | In. | mm | In. |
| 98913 | 0.20-0.40 | .008-.016 | 0.30 | .012 | 0.20-0.60 | .008-.024 |

| Terminal Series No. | Bend up | Bend down | Twist | Roll | Punch Width (Ref) | | | | Seam Seam shall not be open and no wire allowed out of the crimping area |
|---------------------|--------------|-----------|--------------|------|-------------------|------|------------|------|---|
| | | | | | Conductor | | Insulation | | |
| | Degree (Max) | | Degree (Max) | | mm | In | mm | In | |
| 98913 | 1 | 1 | 1 | 2 | 1.40 | .055 | 1.85 | .073 | |

After crimping, the conductor profile should measure the following.

| Terminal Order No. | | | Wire Size | | Conductor | | | | Pull Force Minimum | |
|--------------------|------------|------------|-----------|-----------------|--------------|-----------|--------------------|------|--------------------|-------|
| | | | | | Crimp Height | | Crimp Width (Ref.) | | | |
| | | | AWG | mm ² | mm | In. | mm | In. | N | Lb. |
| 98913-1019 | 98913-1349 | 64322-1229 | 22 | | 0.78-0.88 | .031-.035 | 1.45 | .057 | 50.0 | 11.25 |
| 98913-1229 | 98913-3019 | 64322-1329 | | 0.35 | 0.80-0.86 | .031-.034 | 1.43 | .056 | 55.0 | 12.38 |
| 98913-1329 | 64322-1019 | 64322-1349 | | 0.22 | 0.72-0.78 | .028-.031 | 1.42 | .056 | 40.0 | 9.00 |
| 98913-1039 | 98913-1419 | 64322-1039 | | 0.50 | 0.87-0.93 | .034-.037 | 1.44 | .057 | 70.0 | 15.75 |
| 98913-1239 | 98913-3039 | 64322-1239 | | | | | | | | |
| 98913-1359 | | 64322-1359 | | | | | | | | |
| | | | | | | | | | | |

| Terminal Order No. | | | Wire Size | | Insulation | | | |
|--------------------|------------|------------|-----------|-----------------|--------------|-----------|--------------------|------|
| | | | | | Crimp Height | | Crimp Width (Ref.) | |
| | | | AWG | mm ² | mm | In. | mm | In. |
| 98913-1019 | 98913-1349 | 64322-1229 | 22 | | 1.55-1.70 | .061-.067 | 1.88 | .074 |
| 98913-1229 | 98913-3019 | 64322-1329 | | 0.35 | 1.50-1.65 | .059-.065 | 1.86 | .073 |
| 98913-1329 | 64322-1019 | 64322-1349 | | 0.22 | 1.35-1.50 | .053-.059 | 1.85 | .073 |
| 98913-1039 | 98913-1419 | 64322-1039 | | 0.50 | 1.60-1.75 | .063-.069 | 1.87 | .074 |
| 98913-1239 | 98913-3039 | 64322-1239 | | | | | | |
| 98913-1359 | | 64322-1359 | | | | | | |
| | | | | | | | | |

Pull Force should be measured with no influence from the insulation crimp.

The above specifications are guidelines to an optimum crimp.

Fine Adjust Applicator for CP 0.6 mm Terminal

PARTS LIST

| FineAdjust Applicator 63868-9000 | | | | |
|----------------------------------|------------|-----------------|------------------------------------|----------|
| Item | Order No | Engineering No. | Description | Quantity |
| Perishable Tooling | | | | |
| | 63868-9070 | 63868-9070 | Tool Kit (All "Y" Items) | REF |
| 1 | 63457-0035 | 63457-0035 | Conductor Punch | 1 Y |
| 2 | 63455-0040 | 63455-0040 | Conductor Anvil | 1 Y |
| 3 | 63454-0060 | 63454-0060 | Insulation Punch | 1 Y |
| 4 | 63456-0040 | 63456-0040 | Insulation Anvil | 1 Y |
| 5 | 63443-0035 | 63443-0035 | Cut-Off Plunger | 1 Y |
| 6 | 63443-0036 | 63443-0036 | Front Plunger Retainer | 1 Y |
| Other Components (689050) | | | | |
| 7 | 11-17-0022 | 1739-21 | Hold Down Spring | 1 |
| 8 | 11-18-4083 | 60707-8 | Feed Guide | 1 |
| 9 | 11-24-1149 | 4996-37 | Shank | 1 |
| 10 | 63443-0009 | 63443-0009 | Scrape Chute | 1 |
| 11 | 63443-0024 | 63443-0024 | Key | 1 |
| 12 | 63443-0090 | 63443-0090 | Wire Stop | 1 |
| 13 | 63443-1713 | 63443-1713 | 18.30mm Spacer | 1 |
| 14 | 63443-2215 | 63443-2215 | 15.00mm Spacer | 1 |
| 15 | 63443-2312 | 63443-2312 | 3.60mm Spacer | 1 |
| 16 | 63443-3160 | 63443-3160 | Front Plunger Striker | 1 |
| 17 | 63443-6111 | 63443-6111 | Rear Cover | 1 |
| 18 | 63443-7003 | 63443-7003 | Terminal Hold Down | 1 |
| 19 | 63700-0539 | 63700-0539 | Cut-off Plunger Spring | 1 |
| Frame | | | | |
| 20 | 63800-4901 | 63800-4901 | Top | 1 |
| 21 | 63801-3281 | 63801-3281 | Base | 1 |
| 22 | 63801-4650 | 63801-4650 | Track | 1 |
| Hardware | | | | |
| 23 | N/A | N/A | M3 by 6 Long SHCS | 2** |
| 24 | N/A | N/A | M3 by 6 Long FHCS | 1** |
| 25 | N/A | N/A | M4 by 6 Long SHCS | 2** |
| 26 | N/A | N/A | M4 by 12 Long BHCS | 2** |
| 27 | N/A | N/A | M4 by 50 Long SHCS | 2** |
| 28 | N/A | N/A | M5 by 12 Long SHCS | 1** |
| 29 | N/A | N/A | #5-40 by 3/8" Long SHCS | 1** |
| 30 | N/A | N/A | #10-32 by 3/8" Long Flat Point SSS | 1** |
| 31 | N/A | N/A | #10-32 Hex Jam Nut | 1** |

** Available from an industrial supply company such as MSC (1-800-645-7270).

Fine Adjust Applicator for CP 0.6 mm Terminal

Assembly Drawing

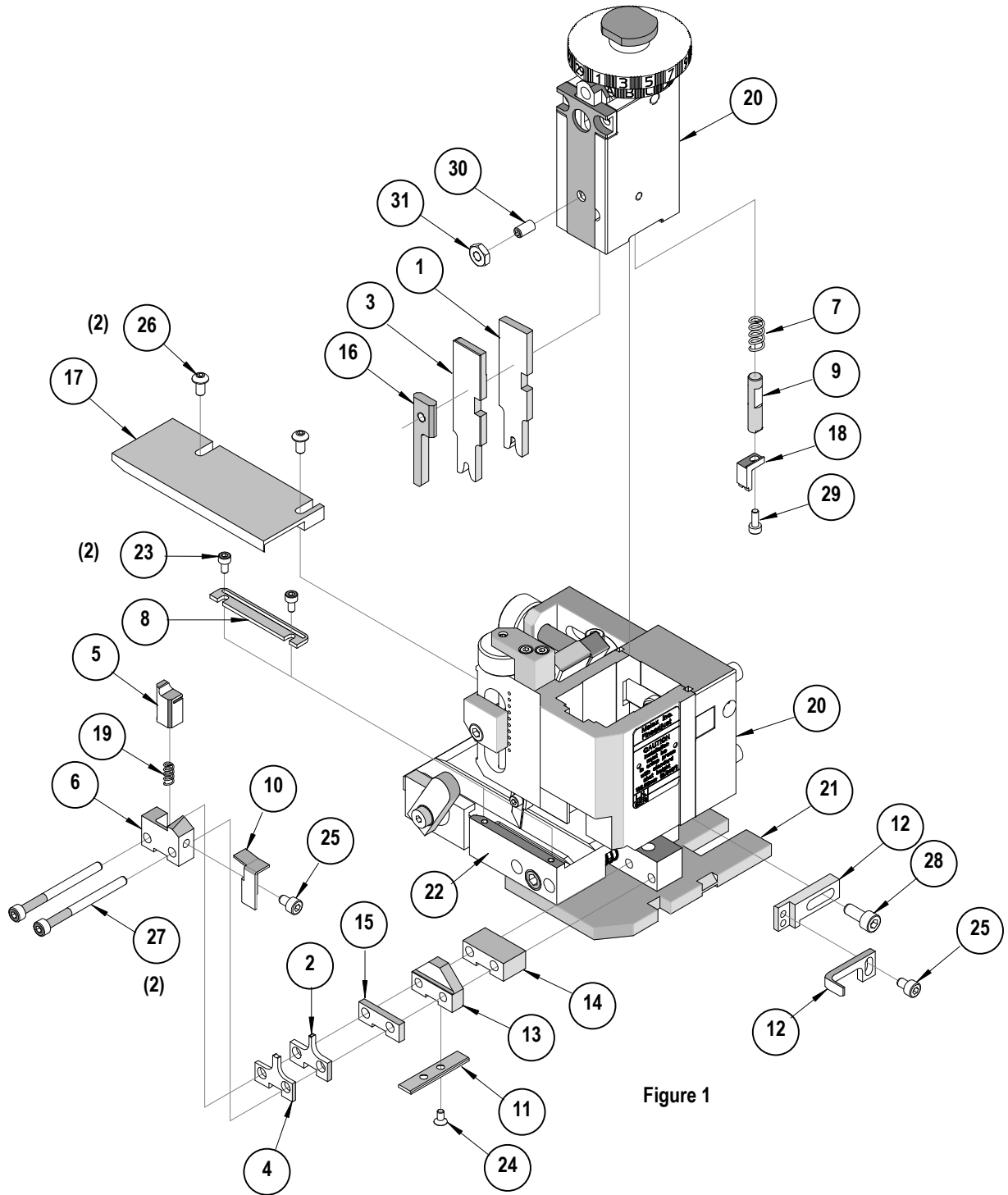


Figure 1

Fine Adjust Applicator for CP 0.6 mm Terminal

NOTES

1. Molex recommends an extra perishable tooling kit be maintained at your facility.
2. Verify tooling alignment by manually cycling the press and Applicator before crimping under power. Check that all screws are tight.
3. Slugs, Terminals, Dirt and Oil should be kept clear of work area.
4. Wear safety glasses at all times.
5. For recommended maintenance refer to the FineAdjust Manual.

CAUTION: This applicator should only be used in a press with a shut height of 135.8mm (5.346"). Tooling damage could result at a lower setting.

CAUTION: To prevent injury never operate this Applicator without the guards supplied with the press or wire-processing machine in place. Reference the press or wire processing manufacturer's instruction manual.

CAUTION: Molex crimp specifications are valid only when used with Molex terminals, applicators and tooling.

<http://www.molex.com>