

## Excellent Integrated System Limited

Stocking Distributor

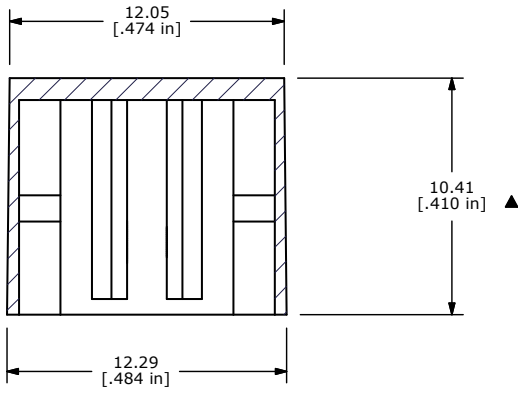
Click to view price, real time Inventory, Delivery & Lifecycle Information:

[E-Switch](#)  
[TADWHT](#)

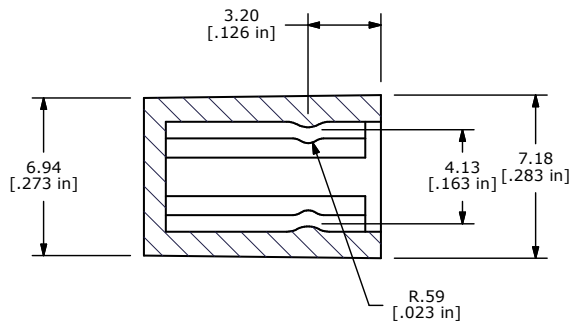
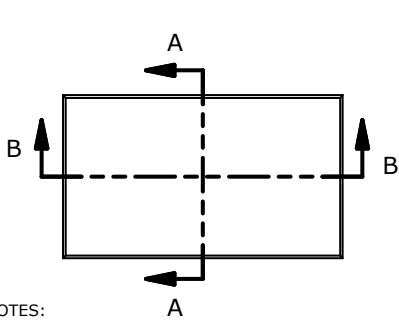
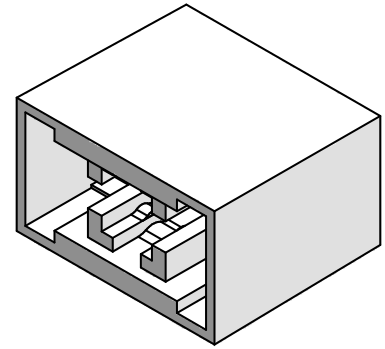
For any questions, you can email us directly:

[sales@integrated-circuit.com](mailto:sales@integrated-circuit.com)

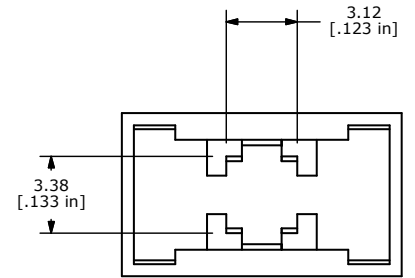
SHEET 1 OF 1



SECTION B-B  
SCALE 4 : 1



SECTION A-A  
SCALE 4 : 1



- NOTES:  
 1. ALL DIMENSIONS IN MM  
 2. GENERAL TOLERANCE: X.XX± 0.15  
 ▲3. MATERIAL: ABS UL94HB  
 ▲4. COLOR: WHITE  
 5. ▲ DENOTES CRITICAL PARAMETER  
 6. 2002/95/EC (ROHS) COMPLIANT



B	17592	CHANGED DIM. 3.19 TO 3.20	8/27/07	BF
A	15299	NEW RELEASE	9/19/05	PH
REV	PCR NO	DESCRIPTION	DATE	BY

TITLE TADWHT

THE INFORMATION CONTAINED IN THIS DOCUMENT IS PROPRIETARY TO E-SWITCH AND IS NOT TO BE COPIED OR TRANSFERRED

SCALE 4:1	DATE 8/27/2007	DR BF	DWG T041632	REV B
-----------	----------------	-------	-------------	-------