

Excellent Integrated System Limited

Stocking Distributor

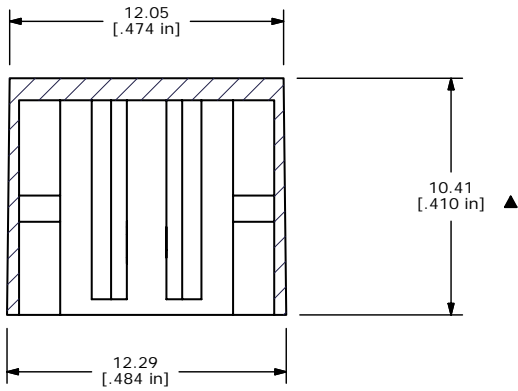
Click to view price, real time Inventory, Delivery & Lifecycle Information:

[E-Switch](#)
[TADGRY](#)

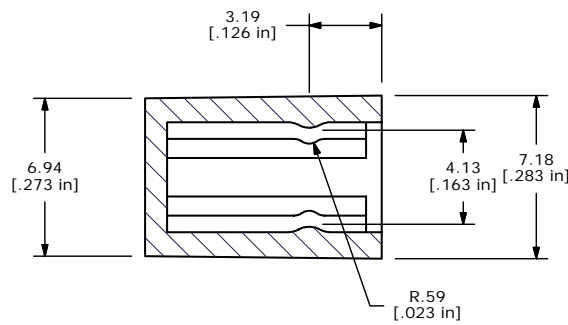
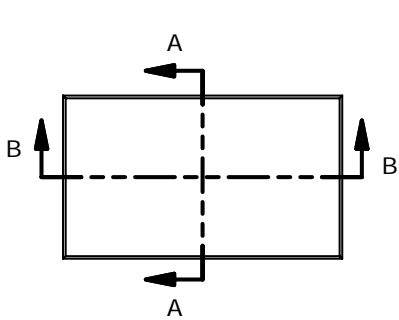
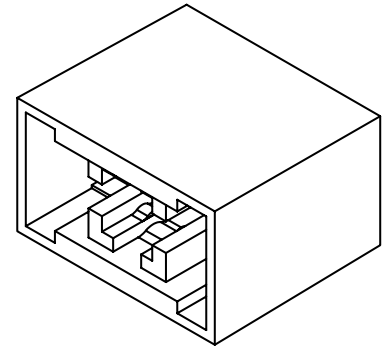
For any questions, you can email us directly:

sales@integrated-circuit.com

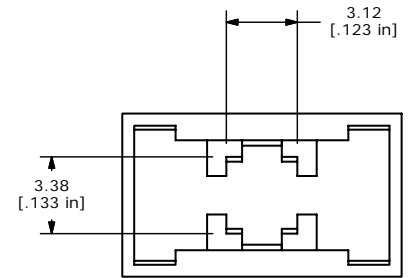
SHEET 1 OF 1



SECTION B-B
SCALE 4 : 1



SECTION A-A
SCALE 4 : 1



- NOTES:
 1. ALL DIMENSIONS IN MM
 2. GENERAL TOLERANCE: X.XX± 0.15
 ▲ 3. MATERIAL: ABS UL94HB
 ▲ 4. COLOR: GRAY, PANTONE 423C
 5. ▲ DENOTES CRITICAL PARAMETER

E-SWITCH®

B	15490	PANTONE COLOR TO 423 FROM 430	11/2/05	PH
A	15172	NEW RELEASE	8/17/05	PV
REV	PCR NO	DESCRIPTION	DATE	BY

TITLE TADGRY

THE INFORMATION CONTAINED IN THIS DOCUMENT IS PROPRIETARY TO E-SWITCH AND IS NOT TO BE COPIED OR TRANSFERRED

SCALE 4:1	DATE 8/17/2005	DR PV	DWG T041633	REV B
-----------	----------------	-------	-------------	-------