

Excellent Integrated System Limited

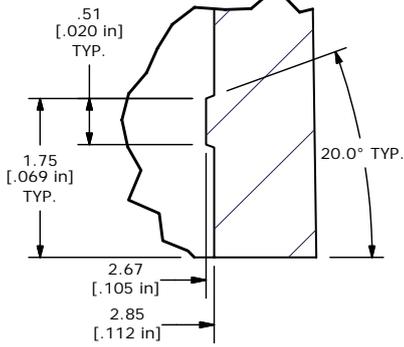
Stocking Distributor

Click to view price, real time Inventory, Delivery & Lifecycle Information:

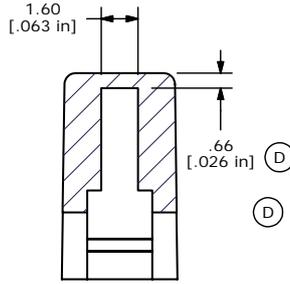
[E-Switch](#)
[1RRED](#)

For any questions, you can email us directly:

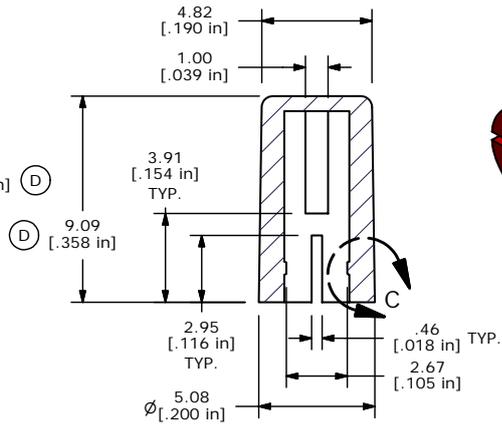
sales@integrated-circuit.com



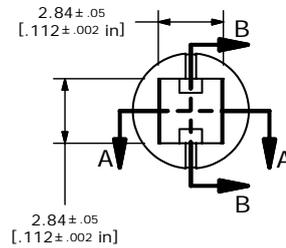
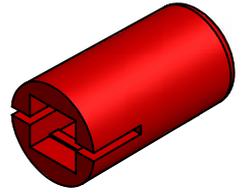
DETAIL C
SCALE 16 : 1



SECTION B-B
SCALE 4 : 1



SECTION A-A
SCALE 4 : 1



- NOTES:
1. ALL DIMENSIONS IN MM [INCH]
 2. GENERAL TOLERANCE: X.XX=±0.15
 - ▲3. MATERIAL: ABS, UL94V0
 - ▲4. COLOR: RED, PANTONE 201C
 5. ▲ DENOTES CRITICAL PARAMETER.

D	15508	DIMS FROM 9.00,0.57	11/8/05	PH
C	15383	CHANGED PANTONE RED 201C FROM 187C	10/12/05	PH
B	15250	REVISED DESCRIPTION	9/8/05	PH
A	15198	RELEASED FOR PRODUCTION	8/24/2005	PH
REV	PCR NO	DESCRIPTION	DATE	BY



TITLE 1RRED

THE INFORMATION CONTAINED IN THIS DOCUMENT IS PROPRIETARY TO E-SWITCH AND IS NOT TO BE COPIED OR TRANSFERRED

SCALE 4:1	DATE 8/24/2005	DR PH	DWG Q800302	REV D
-----------	----------------	-------	-------------	-------