

Excellent Integrated System Limited

Stocking Distributor

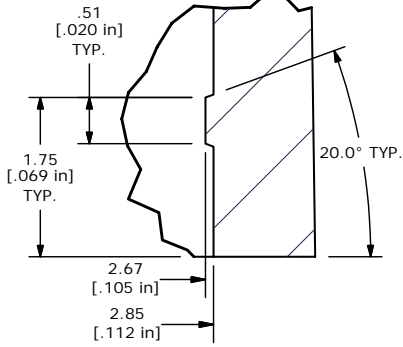
Click to view price, real time Inventory, Delivery & Lifecycle Information:

[E-Switch](#)
[1RLGR](#)

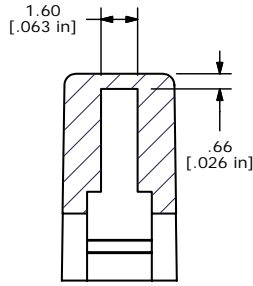
For any questions, you can email us directly:

sales@integrated-circuit.com

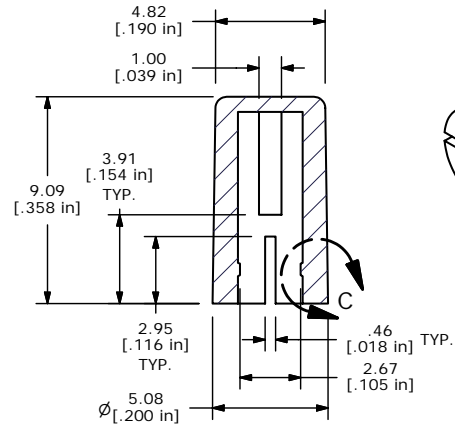
SHEET 1 OF 1



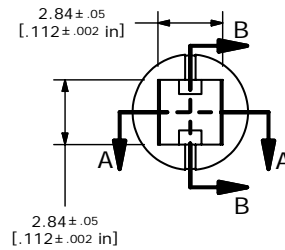
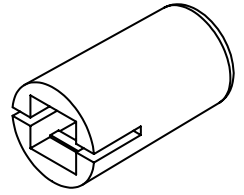
DETAIL C
SCALE 16 : 1



SECTION B-B
SCALE 4 : 1



SECTION A-A
SCALE 4 : 1



- NOTES:
 1. ALL DIMENSIONS IN MM [INCH]
 2. GENERAL TOLERANCE: X.XX=±0.15
 ▲3. MATERIAL: ABS, UL94V0
 ▲4. COLOR: GRAY, PANTONE 423C
 5. ▲ DENOTES CRITICAL PARAMETER.

E-SWITCH®

A	15327	RELEASED FOR PRODUCTION	9/26/05	PH
REV	PCR NO	DESCRIPTION	DATE	BY

TITLE 1RLGR				
SCALE 4:1	DATE 9/26/2005	DR PH	DWG Q800303	REV A

THE INFORMATION CONTAINED IN THIS DOCUMENT IS PROPRIETARY TO E-SWITCH AND IS NOT TO BE COPIED OR TRANSFERRED