

Excellent Integrated System Limited

Stocking Distributor

Click to view price, real time Inventory, Delivery & Lifecycle Information:

[Molex Connector Corporation](#)
[0639103300](#)

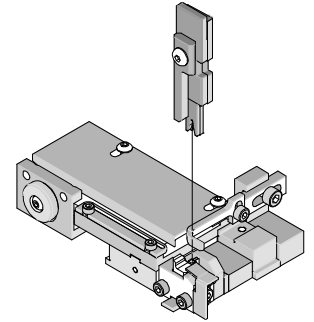
For any questions, you can email us directly:

sales@integrated-circuit.com

T2 Terminator-for SL™ Female Crimp Terminal



**T2 Terminator Tooling
Specification Sheet
Order No. 63910-3300**



FEATURES

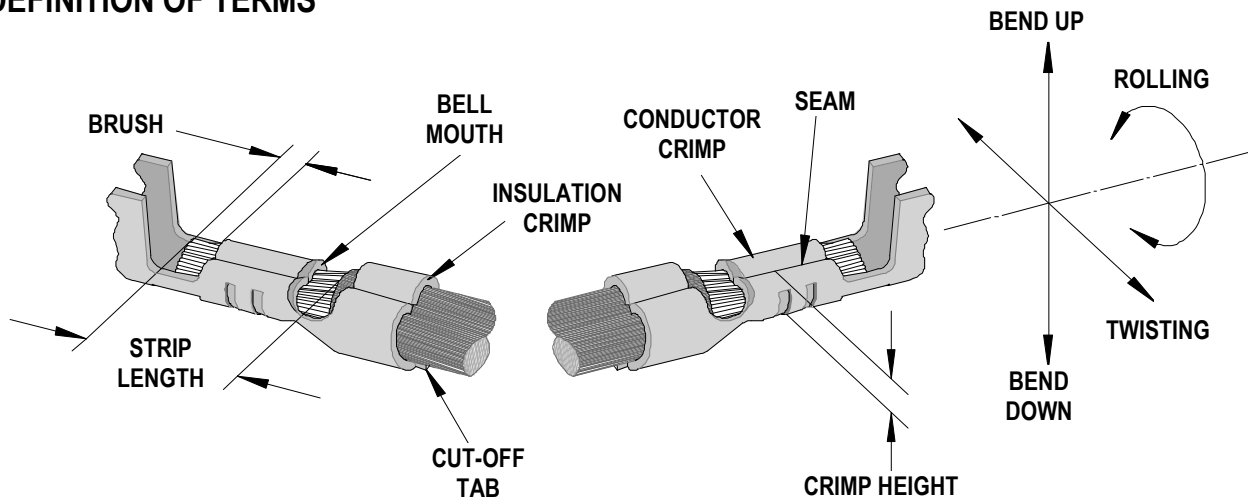
- It is ideally suited for mid-volume bench operations
- This terminator can be installed in the TM42 and the TM40 press or Base Unit adapter for 3BF press
- Quick punch removal with the push of a button for fast and easy tooling change
- Track adjustment capabilities in the T2 Terminators for improved control of the bell mouth size and cutoff tab length
- T2 Terminator has standardized tooling with the Molex FineAdjust Applicator which will reduce your inventory requirements

SCOPE

Products: SL™ Female Crimp Terminal, 32-36 AWG.

Terminal Series No	Terminal Order No.			Wire Size		Insulation Diameter		Strip Length	
				AWG	mm ²	mm	In.	mm	In.
70058	016-02-0074	016-02-0085	70058-0084	32-36	0.03-0.01	0.43-0.64	.017-.025	3.17-3.56	.125-.140
	016-02-0084	016-02-0143	70058-4084						
71851	016-02-1118	016-02-1120	016-02-1122	32-36	0.03-0.01	0.43-0.64	.017-.025	3.17-3.56	.125-.140

DEFINITION OF TERMS



The above terminal drawing is a generic terminal representation. It is not an image of a terminal listed in the scope.

T2 Terminator-for SL™ Female Crimp Terminal

CRIMP SPECIFICATION

Terminal Series No.	Bell mouth		Cut-off Tab Max.				Conductor Brush	
			Front		Rear			
	mm	In.	mm	In.	mm	In.	mm	In.
70058	0.20-0.50	.008-.020	0.13	.005	.08	.003	0.00-1.00	.000-.039
71851	0.20-0.50	.008-.020	0.13	.005	.08	.003	0.00-1.00	.000-.039

Terminal Series No.	Bend up	Bend down	Twist	Roll	Punch Width mm (Ref)				Seam Seam shall not be open and no wire allowed out of the crimping area
	Degree		Degree		Conductor		Insulation		
					mm	In	mm	In	
70058	3	3	3	8	0.90	.035	1.40	.055	
71851	3	3	3	8	0.90	.035	1.40	.055	

After crimping, the conductor profile should measure the following.

Terminal Series No.	Wire Size		Crimp Height		Pull Force Min.	
	AWG	mm ²	mm	In.	N	Lb.
70058	32	0.03	0.64-0.66	.025-.026	4.4	1.0
	34	0.02	0.61-0.64	.024-.025	2.7	0.6
	36	0.01	0.61-0.64	.024-.025	1.8	0.4
71851	32	0.03	0.64-0.66	.025-.026	4.4	1.0
	34	0.02	0.61-0.64	.024-.025	2.7	0.6
	36	0.01	0.61-0.64	.024-.025	1.8	0.4

Pull Force should be measured with no influence from the insulation crimp.

The above specifications are guidelines to an optimum crimp.

T2 Terminator-for SL™ Female Crimp Terminal

PARTS LIST

T-Style Terminator 63910-3300				
Item	Order No	Engineering No.	Description	Quantity
Perishable Tooling				
	63910-3370	63910-3370	Tool Kit (All "Y" Items)	REF
1	63444-0914	63444-0914	Conductor Punch	1 Y
2	63445-0931	63445-0931	Conductor Anvil	1 Y
3	63446-1419	63446-1419	Insulation Punch	1 Y
4	63445-1425	63445-1425	Insulation Anvil	1 Y
5	63443-0003	63443-0003	Cut-Off Plunger	2 Y
6	63443-0012	63443-0012	Front Plunger Retainer	1 Y
7	63443-1402	63443-1402	Cut-off Die Blade	1 Y
8	63443-1002	63443-1002	Rear Plunger Retainer	1 Y
Other Components (REF 103150)				
9	11-17-0022	1739-21	Hold Down Spring	1
10	11-18-4094	60709A111	Front Cover	1
11	11-24-1067	4996-4	Cut-Off Plunger Spring	2
12	11-24-1149	4996-37	Shank	1
13	11-40-4039	8302-5	Front Plunger Striker	1
14	11-40-4274	8331-8	Hold Down Blade	1
15	63443-0025	63443-0025	Dual Carrier Key	1
16	63443-0085	63443-0085	Wire Stop L-Bracket	1
17	63443-0090	63443-0090	Wire Stop	1
18	63443-2600	63443-2600	Front Spacer	1
19	63443-2205	63443-2205	5.00mm Coarse Spacer	1
20	63443-2306	63443-2306	3.30mm Fine Spacer	1
21	63443-6003	63443-6003	Rear Cover	1
22	63800-8502	63800-8502	Rear Plunger Striker	1
Frame				
23	63800-8500	63800-8500	T2 Terminator	1
24	63860-2015	63860-2015	Drag Frame	1
Hardware				
25	N/A	N/A	M3 by 6 Long SHCS	2**
26	N/A	N/A	M3 by 6 Long FHCS	1**
27	N/A	N/A	M4 by 6 Long SHCS	1**
28	N/A	N/A	M4 by 12 Long BHCS	2**
29	N/A	N/A	M4 by 14 Long SHCS	2**
30	N/A	N/A	M4 by 35 Long SHCS	1**
31	N/A	N/A	M4 by 50 Long SHCS	1**
32	N/A	N/A	M5 by 10 Long SHCS	1**
33	N/A	N/A	M5 by 12 Long SHCS	1**
34	N/A	N/A	#5-40 by 3/8" Long SHCS	1**
35	N/A	N/A	#10-32 by 3/8" Long BHCS	1**

** Available from an industrial supply company such as MSC (1-800-645-7270).

T2 Terminator-for SL™ Female Crimp Terminal

Assembly Drawing

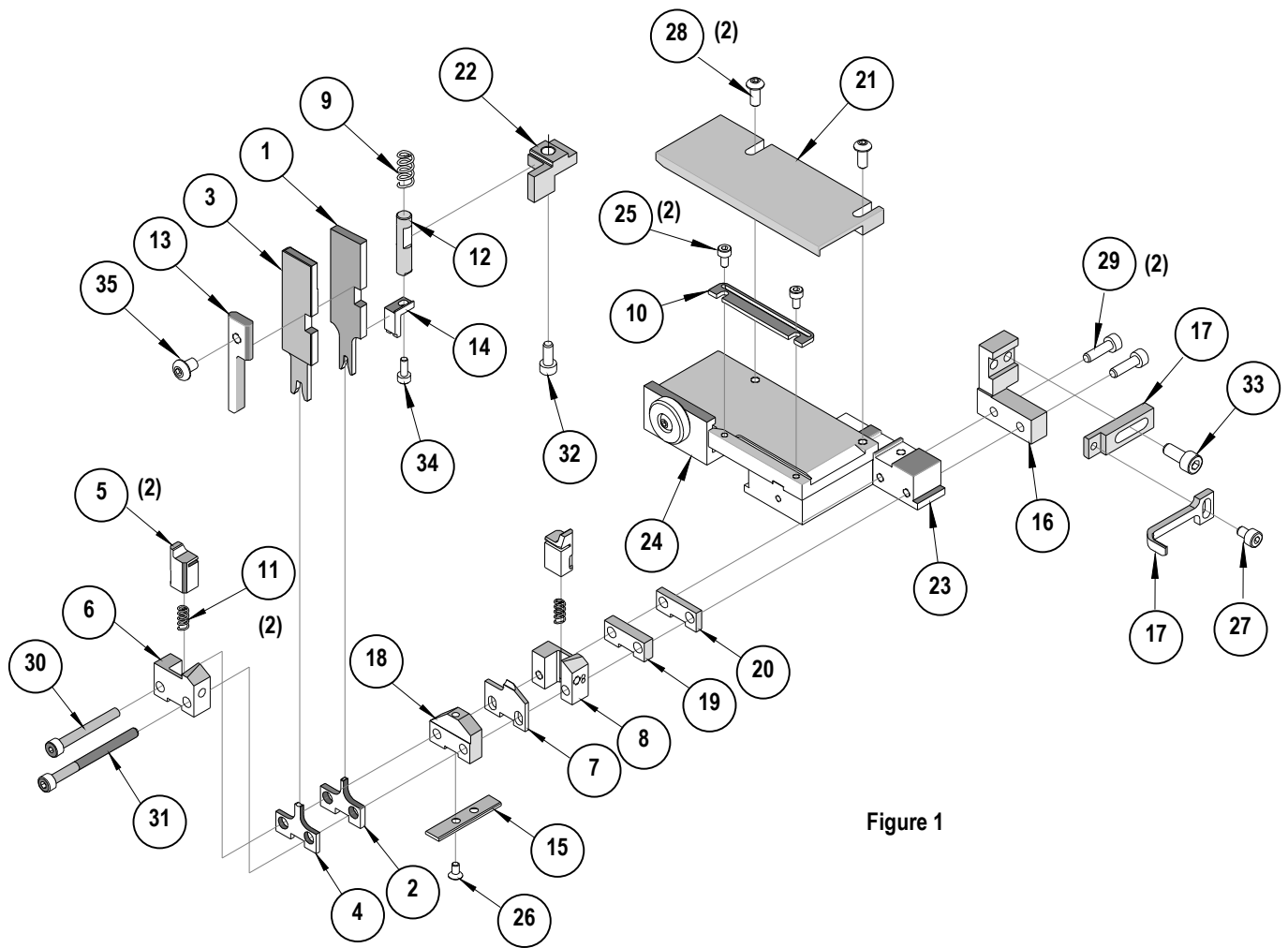


Figure 1

T2 Terminator-for SL™ Female Crimp Terminal

NOTES

Depending on the press vintage a feed finger assembly is supplied with the T2 Terminator.

1. To remove the existing feed finger assembly loosens the M4 x 10 mm set screw in the feed lever.
2. Select T2 Feed finger assembly from Terminator box.
3. Insert a screwdriver into the slot behind the feed lever and force the feed arm spring to the right.
4. Slide the T2 feed finger shaft for TM42 (11-40-5307) or (11-40-0123) for TM40 /Base Unit into the feed lever and to the left of the feed arm spring.
5. Release the feed arm spring.
6. Position feed finger for selected product. (Refer to Figure 5.1 in the T2 Manual).

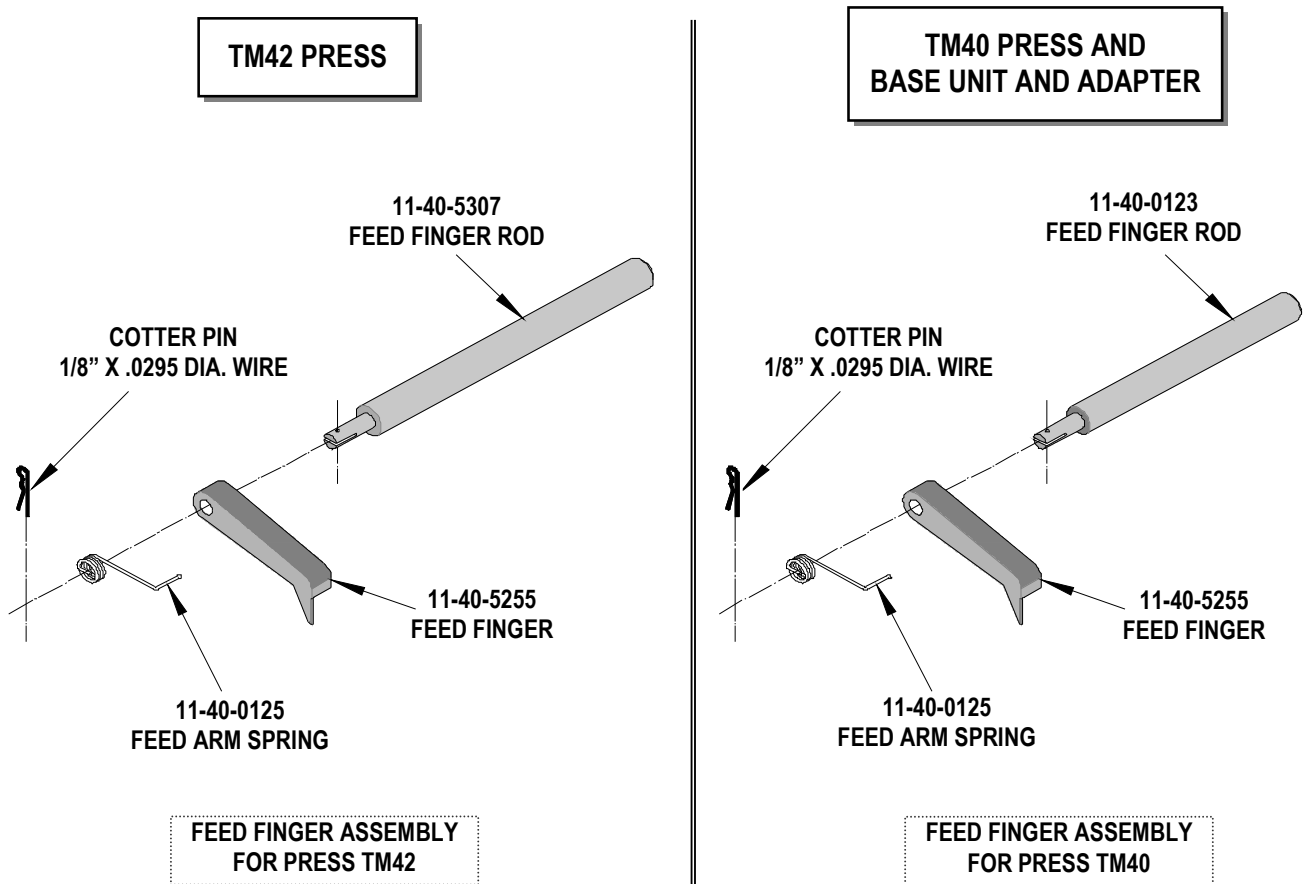


Figure 2

T2 Terminator-for SL™ Female Crimp Terminal

NOTES

1. Molex recommends an extra perishable tooling kit be maintained at your facility.
2. Verify tooling alignment by manually cycling the press before crimping under power. Check that all screws are tight.
3. Slugs, Terminals, Dirt and Oil should be kept clear of work area.
4. This Terminator should be only used in a Molex TM42, TM40, or 3BF Press with a Base Unit adaptor.
5. Wear safety glasses at all times.
6. For recommended maintenance refer to the TM40, TM42 Manual.

CAUTION: To prevent injury never operate this Terminator without the guards supplied with the press in place. Reference the TM42 press manufacturer's instruction manual.

CAUTION: Molex crimp specifications are valid only when used with Molex terminals, applicators and tooling.

Americas Headquarters
Lisle, Illinois 60532 U.S.A.
1-800-78MOLEX
amerinfo@molex.com

Far East North Headquarters
Yamato, Kanagawa, Japan
81-462-65-2324
feninfo@molex.com

Far East South Headquarters
Jurong, Singapore
65-6-268-6868
fesinfo@molex.com

European Headquarters
Munich, Germany
49-89-413092-0
eurinfo@molex.com

Corporate Headquarters
2222 Wellington Ct.
Lisle, IL 60532 U.S.A.
630-969-4550
Fax: 630-969-1352

Visit our Web site at <http://www.molex.com>