

Excellent Integrated System Limited

Stocking Distributor

Click to view price, real time Inventory, Delivery & Lifecycle Information:

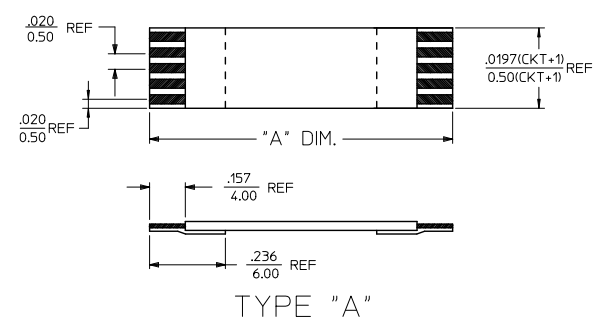
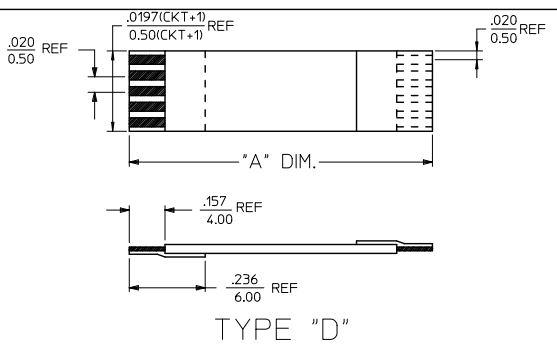
[Molex Connector Corporation](#)
[0210200989](#)

For any questions, you can email us directly:

sales@integrated-circuit.com

0.50MM CENTER FFC JUMPER CABLE (LOW TEMPERATURE) CHART

| 'A' DIM. | 1.18±.079 INCHES 30±2.00 MM | | 2+.079 INCHES 51±2.00 MM | | 3+.118 INCHES 76±3.00 MM | | 4+.118 INCHES 102±3.00 MM | | 5+.157 INCHES 127±4.00 MM | | 6+.157 INCHES 152±4.00 MM | | 7+.157 INCHES 178±4.00 MM | | 8+.157 INCHES 203±4.00 MM | | 9+.197 INCHES 229±5.00 MM | | 10+.197 INCHES 254±5.00 MM | | 12+.197 INCHES 305±5.00 MM | |
|----------|--------------------------------|-----------|-----------------------------|-----------|-----------------------------|-----------|------------------------------|-----------|------------------------------|-----------|------------------------------|-----------|------------------------------|-----------|------------------------------|-----------|------------------------------|-----------|-------------------------------|-----------|-------------------------------|-----------|
| | TYPE 'D' | TYPE 'A' | TYPE 'D' | TYPE 'A' | TYPE 'D' | TYPE 'A' | TYPE 'D' | TYPE 'A' | TYPE 'D' | TYPE 'A' | TYPE 'D' | TYPE 'A' | TYPE 'D' | TYPE 'A' | TYPE 'D' | TYPE 'A' | TYPE 'D' | TYPE 'A' | TYPE 'D' | TYPE 'A' | TYPE 'D' | TYPE 'A' |
| BACKER | TYPE 'D' | TYPE 'A' | TYPE 'D' | TYPE 'A' | TYPE 'D' | TYPE 'A' | TYPE 'D' | TYPE 'A' | TYPE 'D' | TYPE 'A' | TYPE 'D' | TYPE 'A' | TYPE 'D' | TYPE 'A' | TYPE 'D' | TYPE 'A' | TYPE 'D' | TYPE 'A' | TYPE 'D' | TYPE 'A' | TYPE 'D' | TYPE 'A' |
| CKTS: 7 | 210200744 | 210200745 | 210200746 | 210200747 | 210200748 | 210200749 | 210200750 | 210200751 | 210200752 | 210200753 | 210200754 | 210200755 | 210200756 | 210200757 | 210200758 | 210200759 | 210200760 | 210200761 | 210200762 | 210200763 | 210200764 | 210200765 |
| CKTS: 9 | 210200766 | 210200767 | 210200768 | 210200769 | 210200770 | 210200771 | 210200772 | 210200773 | 210200774 | 210200775 | 210200776 | 210200777 | 210200778 | 210200779 | 210200780 | 210200781 | 210200782 | 210200783 | 210200784 | 210200785 | 210200786 | 210200787 |
| CKTS: 11 | 210200788 | 210200789 | 210200790 | 210200791 | 210200792 | 210200793 | 210200794 | 210200795 | 210200796 | 210200797 | 210200798 | 210200799 | 210200800 | 210200801 | 210200802 | 210200803 | 210200804 | 210200805 | 210200806 | 210200807 | 210200808 | 210200809 |
| CKTS: 13 | 210200810 | 210200811 | 210200812 | 210200813 | 210200814 | 210200815 | 210200816 | 210200817 | 210200818 | 210200819 | 210200820 | 210200821 | 210200822 | 210200823 | 210200824 | 210200825 | 210200826 | 210200827 | 210200828 | 210200829 | 210200830 | 210200831 |
| CKTS: 15 | 210200832 | 210200833 | 210200834 | 210200835 | 210200836 | 210200837 | 210200838 | 210200839 | 210200840 | 210200841 | 210200842 | 210200843 | 210200844 | 210200845 | 210200846 | 210200847 | 210200848 | 210200849 | 210200850 | 210200851 | 210200852 | 210200853 |
| CKTS: 17 | 210200854 | 210200855 | 210200856 | 210200857 | 210200858 | 210200859 | 210200860 | 210200861 | 210200862 | 210200863 | 210200864 | 210200865 | 210200866 | 210200867 | 210200868 | 210200869 | 210200870 | 210200871 | 210200872 | 210200873 | 210200874 | 210200875 |
| CKTS: 19 | 210200876 | 210200877 | 210200878 | 210200879 | 210200880 | 210200881 | 210200882 | 210200883 | 210200884 | 210200885 | 210200886 | 210200887 | 210200888 | 210200889 | 210200890 | 210200891 | 210200892 | 210200893 | 210200894 | 210200895 | 210200896 | 210200897 |
| CKTS: 21 | 210200898 | 210200899 | 210200900 | 210200901 | 210200902 | 210200903 | 210200904 | 210200905 | 210200906 | 210200907 | 210200908 | 210200909 | 210200910 | 210200911 | 210200912 | 210200913 | 210200914 | 210200915 | 210200916 | 210200917 | 210200918 | 210200919 |
| CKTS: 23 | 210200920 | 210200921 | 210200922 | 210200923 | 210200924 | 210200925 | 210200926 | 210200927 | 210200928 | 210200929 | 210200930 | 210200931 | 210200932 | 210200933 | 210200934 | 210200935 | 210200936 | 210200937 | 210200938 | 210200939 | 210200940 | 210200941 |
| CKTS: 25 | 210200942 | 210200943 | 210200944 | 210200945 | 210200946 | 210200947 | 210200948 | 210200949 | 210200950 | 210200951 | 210200952 | 210200953 | 210200954 | 210200955 | 210200956 | 210200957 | 210200958 | 210200959 | 210200960 | 210200961 | 210200962 | 210200963 |
| CKTS: 27 | 210200964 | 210200965 | 210200966 | 210200967 | 210200968 | 210200969 | 210200970 | 210200971 | 210200972 | 210200973 | 210200974 | 210200975 | 210200976 | 210200977 | 210200978 | 210200979 | 210200980 | 210200981 | 210200982 | 210200983 | 210200984 | 210200985 |
| CKTS: 29 | 210200986 | 210200987 | 210200988 | 210200989 | 210200990 | 210200991 | 210200992 | 210200993 | 210200994 | 210200995 | 210200996 | 210200997 | 210200998 | 210200999 | 210201000 | 210201001 | 210201002 | 210201003 | 210201004 | 210201005 | 210201006 | 210201007 |
| CKTS: 31 | 210201008 | 210201009 | 210201010 | 210201011 | 210201012 | 210201013 | 210201014 | 210201015 | 210201016 | 210201017 | 210201018 | 210201019 | 210201020 | 210201021 | 210201022 | 210201023 | 210201024 | 210201025 | 210201026 | 210201027 | 210201028 | 210201029 |
| CKTS: 33 | 210201030 | 210201031 | 210201032 | 210201033 | 210201034 | 210201035 | 210201036 | 210201037 | 210201038 | 210201039 | 210201040 | 210201041 | 210201042 | 210201043 | 210201044 | 210201045 | 210201046 | 210201047 | 210201048 | 210201049 | 210201050 | 210201051 |
| CKTS: 35 | 210201052 | 210201053 | 210201054 | 210201055 | 210201056 | 210201057 | 210201058 | 210201059 | 210201060 | 210201061 | 210201062 | 210201063 | 210201064 | 210201065 | 210201066 | 210201067 | 210201068 | 210201069 | 210201070 | 210201071 | 210201072 | 210201073 |
| CKTS: 37 | 210201074 | 210201075 | 210201076 | 210201077 | 210201078 | 210201079 | 210201080 | 210201081 | 210201082 | 210201083 | 210201084 | 210201085 | 210201086 | 210201087 | 210201088 | 210201089 | 210201090 | 210201091 | 210201092 | 210201093 | 210201094 | 210201095 |
| CKTS: 39 | 210201096 | 210201097 | 210201098 | 210201099 | 210201100 | 210201101 | 210201102 | 210201103 | 210201104 | 210201105 | 210201106 | 210201107 | 210201108 | 210201109 | 210201110 | 210201111 | 210201112 | 210201113 | 210201114 | 210201115 | 210201116 | 210201117 |



NOTES:
1. NO PRINTING ON JUMPER CABLE UNLESS OTHERWISE SPECIFIED, IF PRINTING IS REQUIRED THEN IT WOULD BE CONSIDERED A SPECIAL JUMPER CABLE.

| | | | | | | |
|---|-----------------|---|------------------------|------------------|---|---------------------------|
| MADE DIMS REFERENCE IEC NO: USW2012-0078 DRAWN:MMG 2011/10/18 CHKD: APPR:SFULLTON 2011/11/02 DESCRIPTION | QUALITY SYMBOLS | GENERAL TOLERANCES (UNLESS SPECIFIED) | SCALE | DESIGN UNITS | THIRD ANGLE PROJECTION | REVISE ON CAD ONLY |
| | ▽ 0 | mm INCH | MM/IN | INCH | TITLE 0.50MM CENTER FFC JUMPER CABLE (LOW TEMPERATURE) CHART | MATERIAL NO. SEE CHART |
| | ▽ 0 | 4 PLACES ± --- ± --- 3 PLACES ± --- ± --- 2 PLACES ± 0.13 ± --- 1 PLACE ± 0.25 ± --- ANGULAR ± 1° | DRAWN BY DEMEO | DATE 01/11/14 | | |
| | | DRAFT WHERE APPLICABLE MUST REMAIN WITHIN DIMENSIONS | APPROVED BY R. MACK | DATE 02/02/28 | DOCUMENT NO. SD-21020-002 | SHEET NO. 1 OF 1 |

THIS DRAWING CONTAINS INFORMATION THAT IS PROPRIETARY TO MOLEX INCORPORATED AND SHOULD NOT BE USED WITHOUT WRITTEN PERMISSION