

## Excellent Integrated System Limited

Stocking Distributor

Click to view price, real time Inventory, Delivery & Lifecycle Information:

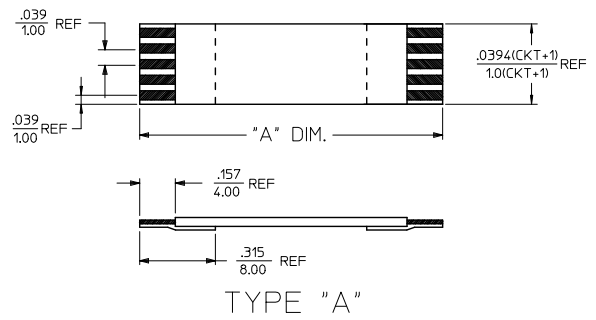
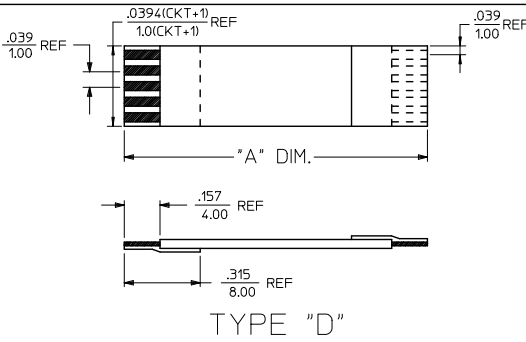
[Molex Connector Corporation](#)  
[0210390760](#)

For any questions, you can email us directly:

[sales@integrated-circuit.com](mailto:sales@integrated-circuit.com)

1.00MM CENTER FFC JUMPER CABLE (LOW TEMPERATURE) CHART

'A' DIM.	1.181±.079 INCHES 30±2.00 MM		2+.079 INCHES 51±2.00 MM		3±.118 INCHES 76±3.00 MM		4±.118 INCHES 102±3.00 MM		5±.157 INCHES 127±4.00 MM		6±.157 INCHES 152±4.00 MM		7±.157 INCHES 178±4.00 MM		8±.157 INCHES 203±4.00 MM		9±.197 INCHES 229±5.00 MM		10±.197 INCHES 254±5.00 MM		12±.197 INCHES 305±5.00 MM	
BACKER	TYPE 'D'	TYPE 'A'	TYPE 'D'	TYPE 'A'	TYPE 'D'	TYPE 'A'	TYPE 'D'	TYPE 'A'	TYPE 'D'	TYPE 'A'	TYPE 'D'	TYPE 'A'	TYPE 'D'	TYPE 'A'	TYPE 'D'	TYPE 'A'	TYPE 'D'	TYPE 'A'	TYPE 'D'	TYPE 'A'	TYPE 'D'	TYPE 'A'
CKTS: 4	210390700	210390701	210390702	210390703	210390704	210390705	210390706	210390707	210390708	210390709	210390710	210390711	210390712	210390713	210390714	210390715	210390716	210390717	210390718	210390719	210390720	210390721
CKTS: 5	210390722	210390723	210390724	210390725	210390726	210390727	210390728	210390729	210390730	210390731	210390732	210390733	210390734	210390735	210390736	210390737	210390738	210390739	210390740	210390741	210390742	210390743
CKTS: 6	210390744	210390745	210390746	210390747	210390748	210390749	210390750	210390751	210390752	210390753	210390754	210390755	210390756	210390757	210390758	210390759	210390760	210390761	210390762	210390763	210390764	210390765
CKTS: 7	210390766	210390767	210390768	210390769	210390770	210390771	210390772	210390773	210390774	210390775	210390776	210390777	210390778	210390779	210390780	210390781	210390782	210390783	210390784	210390785	210390786	210390787
CKTS: 8	210390788	210390789	210390790	210390791	210390792	210390793	210390794	210390795	210390796	210390797	210390798	210390799	210390800	210390801	210390802	210390803	210390804	210390805	210390806	210390807	210390808	210390809
CKTS: 9	210390810	210390811	210390812	210390813	210390814	210390815	210390816	210390817	210390818	210390819	210390820	210390821	210390822	210390823	210390824	210390825	210390826	210390827	210390828	210390829	210390830	210390831
CKTS: 10	210390832	210390833	210390834	210390835	210390836	210390837	210390838	210390839	210390840	210390841	210390842	210390843	210390844	210390845	210390846	210390847	210390848	210390849	210390850	210390851	210390852	210390853
CKTS: 11	210390854	210390855	210390856	210390857	210390858	210390859	210390860	210390861	210390862	210390863	210390864	210390865	210390866	210390867	210390868	210390869	210390870	210390871	210390872	210390873	210390874	210390875
CKTS: 12	210390876	210390877	210390878	210390879	210390880	210390881	210390882	210390883	210390884	210390885	210390886	210390887	210390888	210390889	210390890	210390891	210390892	210390893	210390894	210390895	210390896	210390897
CKTS: 13	210390898	210390899	210390900	210390901	210390902	210390903	210390904	210390905	210390906	210390907	210390908	210390909	210390910	210390911	210390912	210390913	210390914	210390915	210390916	210390917	210390918	210390919
CKTS: 14	210390920	210390921	210390922	210390923	210390924	210390925	210390926	210390927	210390928	210390929	210390930	210390931	210390932	210390933	210390934	210390935	210390936	210390937	210390938	210390939	210390940	210390941
CKTS: 15	210390942	210390943	210390944	210390945	210390946	210390947	210390948	210390949	210390950	210390951	210390952	210390953	210390954	210390955	210390956	210390957	210390958	210390959	210390960	210390961	210390962	210390963
CKTS: 16	210390964	210390965	210390966	210390967	210390968	210390969	210390970	210390971	210390972	210390973	210390974	210390975	210390976	210390977	210390978	210390979	210390980	210390981	210390982	210390983	210390984	210390985
CKTS: 17	210390986	210390987	210390988	210390989	210390990	210390991	210390992	210390993	210390994	210390995	210390996	210390997	210390998	210390999	210391000	210391001	210391002	210391003	210391004	210391005	210391006	210391007
CKTS: 18	210391008	210391009	210391010	210391011	210391012	210391013	210391014	210391015	210391016	210391017	210391018	210391019	210391020	210391021	210391022	210391023	210391024	210391025	210391026	210391027	210391028	210391029
CKTS: 19	210391030	210391031	210391032	210391033	210391034	210391035	210391036	210391037	210391038	210391039	210391040	210391041	210391042	210391043	210391044	210391045	210391046	210391047	210391048	210391049	210391050	210391051
CKTS: 20	210391052	210391053	210391054	210391055	210391056	210391057	210391058	210391059	210391060	210391061	210391062	210391063	210391064	210391065	210391066	210391067	210391068	210391069	210391070	210391071	210391072	210391073
CKTS: 21	210391074	210391075	210391076	210391077	210391078	210391079	210391080	210391081	210391082	210391083	210391084	210391085	210391086	210391087	210391088	210391089	210391090	210391091	210391092	210391093	210391094	210391095
CKTS: 22	210391096	210391097	210391098	210391099	210391100	210391101	210391102	210391103	210391104	210391105	210391106	210391107	210391108	210391109	210391110	210391111	210391112	210391113	210391114	210391115	210391116	210391117



NOTES:

1. NO PRINTING ON JUMPER CABLE UNLESS OTHERWISE SPECIFIED. IF PRINTING IS REQUIRED THEN IT WOULD BE CONSIDERED A SPECIAL JUMPER CABLE.

MADE DIMS REF EC NO: USW202-0078 DRAWN:MMG 2011/10/27 CHKD: APPR:SFULLON 2011/11/02	QUALITY SYMBOLS ▽ 0 ▽ 0	GENERAL TOLERANCES (UNLESS SPECIFIED)		SCALE	DESIGN UNITS	THIRD ANGLE PROJECTION	REVISE ON CAD ONLY
		mm	INCH	MM/IN	INCH		
		4 PLACES ± .005	± .005			TITLE	
		3 PLACES ± .002	± .002			1.00MM CENTER FFC JUMPER CABLE (LOW TEMPERATURE CHART)	
		2 PLACES ± 0.13	± .001			MOLEX MOLEX INCORPORATED	
		1 PLACE ± 0.25	± .001			DRAWN BY: DMEGO DATE: 02/02/22	
		ANGULAR ± 1/2°				CHECKED BY: T. PREMO DATE: 02/02/28	
		DRAFT WHERE APPLICABLE				APPROVED BY: R. MACK DATE: 02/02/28	
		MUST REMAIN WITHIN DIMENSIONS				MATERIAL NO. DOCUMENT NO. SHEET NO.	
						SEE CHART SD-21039-002 1 OF 1	
						THIS DRAWING CONTAINS INFORMATION THAT IS PROPRIETARY TO MOLEX INCORPORATED AND SHOULD NOT BE USED WITHOUT WRITTEN PERMISSION	