

Excellent Integrated System Limited

Stocking Distributor

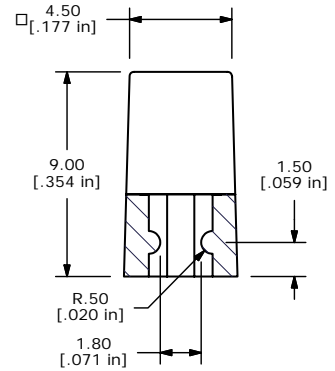
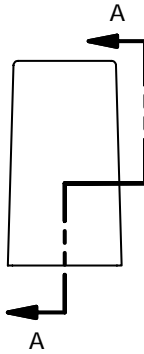
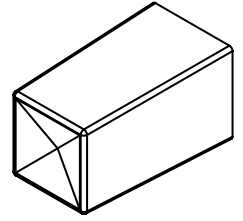
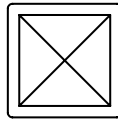
Click to view price, real time Inventory, Delivery & Lifecycle Information:

[E-Switch](#)
[1DWHT](#)

For any questions, you can email us directly:

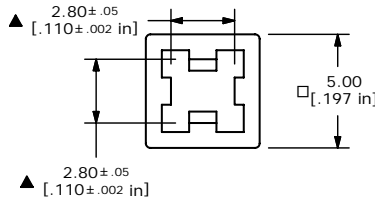
sales@integrated-circuit.com

SHEET 1 OF 1



SECTION A-A
SCALE 4 : 1

- NOTES:
 1. ALL DIMENSIONS IN MM [INCH]
 2. GENERAL TOLERANCE: X.XX=± 0.15
 3. MATERIAL: ABS, UL94V0
 ▲4. COLOR: WHITE
 5. ▲ DENOTES CRITICAL PARAMETER.



D	15250	REVISED DESCRIPTION	9/8/05	PH
C	14913	CHANGED NOTES AND TITLE BLOCK	5/11/05	JB
B	14790	ADD UL94V0 TO NOTES AND DESCRIPTION	3/29/05	AR
A	14691	RELEASED FOR PRODUCTION	2/14/05	AR
REV	PCR NO	DESCRIPTION	DATE	BY

E-SWITCH®

TITLE 1DWHT

THE INFORMATION CONTAINED IN THIS DOCUMENT IS PROPRIETARY TO E-SWITCH AND IS NOT TO BE COPIED OR TRANSFERRED

SCALE 4:1

DATE 2/3/2005

DR AR

DWG Q800421

REV D