



Excellent Integrated System Limited

Stocking Distributor

Click to view price, real time Inventory, Delivery & Lifecycle Information:

[Amphenol RF](#)
[901-9879-RFX](#)

For any questions, you can email us directly:

sales@integrated-circuit.com

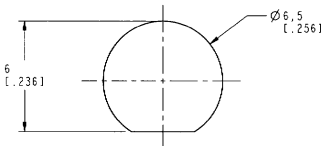
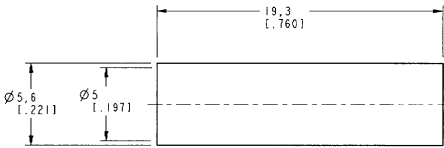


Distributor of Amphenol RF: Excellent Integrated System Limited
 Datasheet of 901-9879-RFX - CONN SMA JACK STR 50 OHM SOLDER

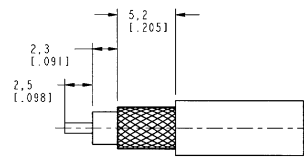
NOTES:

- MATERIALS OF CONSTRUCTION:
 BODY & HEX NUT = BRASS (OO-B-626), NICKEL PLATED
 CONTACT PIN = BaCu, GOLD PLATED
 LOCKWASHER = BRASS (OO-B-613), NICKEL PLATED
 FERRULE = COPPER, NICKEL PLATED
 INSULATOR = TEFLON, MIL-P-19468
 HEAT SHRINK TUBING = COLOR BLACK
- CRIMPED FERRULE = HEX CRIMP SIZE .128

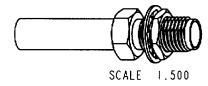
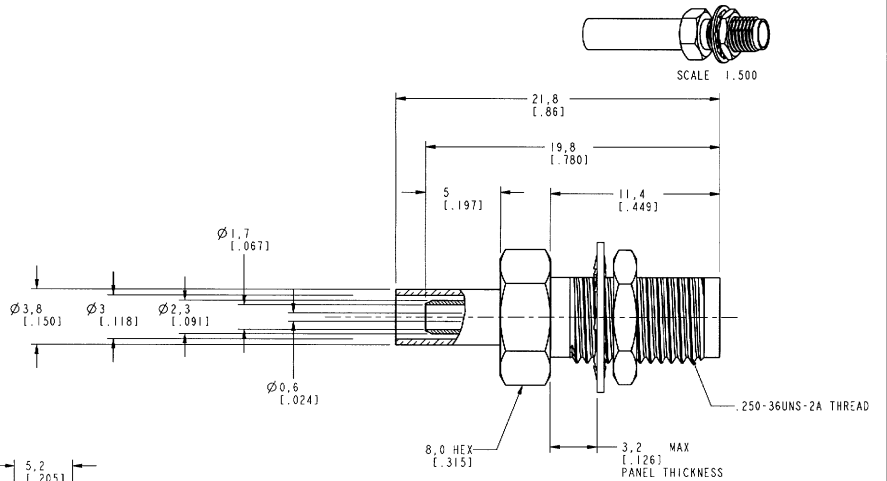
901-9879-RFX		REVISIONS			
DRAWING NO.	REV	DESCRIPTION	DATE	ECO	APPR
THIRD ANGLE PROJ.	A	RELEASE TO MFG.	1-25-01	43650	CPM



RECOMMENDED MOUNTING HOLE DIMENSIONS
 SCALE 5.000



RECOMMENDED CABLE STRIPPING DIMENSIONS
 SCALE 3.000



CUSTOMER OUTLINE DRAWING
 FOR REFERENCE ONLY

UNLESS OTHERWISE SPECIFIED, DIMENSIONS ARE IN INCHES AND TOLERANCES ARE: 0.5 - 6mm ±0.2mm 6 - 30mm ±0.4mm 30 - 120mm ±0.6mm	MATERIAL REFERENCE GEN# 901-10039-RFX_ASSY EAR 967689-0	DRAWN C. McGRATH DATE 01/05/01	TITLE SMA BULKHEAD CRIMP JACK (FOR RG-174/U, 188A/U, 316/U CABLES)	Amphenol Amphenol Corporation Communication and Network Products Division Danbury, CT U.S.A. 06810 SCALE: 4.0:1 SHEET 2 OF 2		
		ENGINEER O. BARTHELMES DATE 01/05/01			APPROVED DATE 1/25/01	
NOTICE - These drawings, specifications, or other data (1) are, and remain the property of Amphenol Corp. (2) must be returned upon request; and (3) are confidential and not to be disclosed to any person other than those to whom they are given by Amphenol Corp. The furnishing of these drawings, specifications, or other data by Amphenol Corp. or to any other person to anyone for any purpose is not to be regarded by implication or otherwise in any manner licensing, granting rights or permitting such holder or any other person to manufacture, use or sell any product, process or design, patented or otherwise, that may in any way be related to or disclosed by said drawings, specifications, or other data.		CAD FILE I:\SMA\901-9879-RFX	CODE 10 74868	DWG SIZE B	DRAWING NO. 901-9879-RFX	REV A