

Excellent Integrated System Limited

Stocking Distributor

Click to view price, real time Inventory, Delivery & Lifecycle Information:

[Capital Advanced Technologies, Inc.](#)
[33623](#)

For any questions, you can email us directly:

sales@integrated-circuit.com

SURFBOARDS®

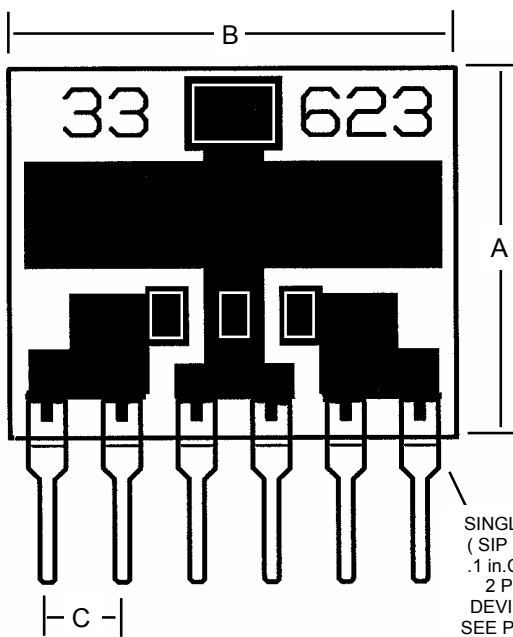


THE BREADBOARDING MEDIUM FOR **SURFACE MOUNT™**

33000 SERIES APPLICATION SPECIFIC ADAPTERS

IDS33623
REV 1-2012

MODEL 33623



SINGLE-IN-LINE (SIP) PINS ON .1 in. CENTERS. 2 PINS PER DEVICE LEAD. SEE PIN SPECS.

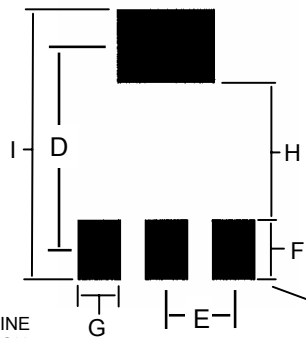
FIG.	INCHES	MM	NOTE:
A	.500	12.70	BOARD HEIGHT +/- .5mm .020in.
B	.600	15.24	BOARD WIDTH +/- .5mm .020in.
C	.100	2.54	SIP PIN SPACE +/- .20mm .008in.
D	.275	6.98	PAD CENTERLINE
E	.090	2.28	DEVICE LEAD PITCH
F	.080	2.03	PAD LENGTH
G	.055	1.39	PAD WIDTH
H	.185	4.69	GAP
I	.365	9.27	MAX PIN WIDTH

SOT-223 SC-73

FOR HIGHER CURRENT APPLICATIONS

ALWAYS CONSULT DEVICE DATA SHEET TO INSURE PROPER FIT

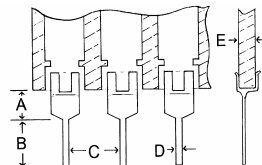
SAME DEVICE FOOTPRINT AS MODEL 33223 EXCEPT WITH 2 OUTPUT PINS PER DEVICE LEAD FOR HIGHER CURRENT.



NOTE: CIRCUIT TRACE FOILS AND OUTPUT PINS MAY NOT BE SUITABLE FOR DEVICE OPERATION AT HIGHEST RATED CURRENT LEVELS. EXTREME TEMPERATURE RISE MAY RESULT IN FAILURE.

DEVICE FOOTPRINT

PIN SPECIFICATIONS / TOLERANCES



In Inches
 A = .062 +/- .006
 B = .130 +/- .010
 C = .100 +/- .005
 D = .020 +/- .004
 E = .031 +/- .005



BOARD SPECIFICATIONS

BOARD MATERIAL: .8mm, +/- .13mm .031in +/- .005 in. Thick G-10 FR-4 Glass Epoxy or equivalent.

CIRCUITS: 1 oz. Copper with RoHS compliant Lead Free solder coating. Patten Position on board +/- .5mm .020in.

TOLERANCES: If not noted are +/- 20%. Nominal values are given. Controlling unit is Millimeters. Values rounded to nearest decimal. Slight Variations due to manufacturing process can occur.

Copyright 1997-2012 by Capital Advanced Technologies, Inc. All rights reserved. Surfboards is a registered trademark of Capital Advanced Technologies, Inc. The Breadboarding medium for surface mount, and the Leaf Circuit Logo are trademarks of Capital Advanced Technologies, Inc. All other trademarks are the property of their respective owners. Specifications, availability, and price is subject to change without notice. All information given is believed to be accurate but is not guaranteed. The user of information given or products represented by such information is responsible for determining the suitability of said information or products for a given purpose. No inducement is intended or permission granted for infringement of any patent or unauthorized use of any intellectual property of Capital Advanced Technologies or others.

CAPITAL ADVANCED TECHNOLOGIES, INC.

CAROL STREAM, ILLINOIS. USA.

PHONE 630-690-1696

WWW.CapitalAdvanced.Com

FAX 630-690-2498