

## **Excellent Integrated System Limited**

Stocking Distributor

Click to view price, real time Inventory, Delivery & Lifecycle Information:

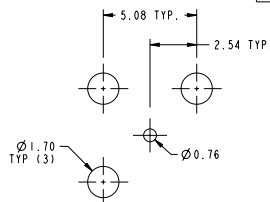
[Amphenol RF](#)  
[034-1021](#)

For any questions, you can email us directly:

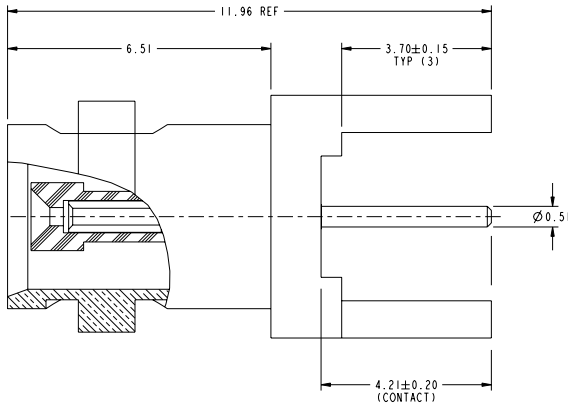
[sales@integrated-circuit.com](mailto:sales@integrated-circuit.com)

NOTES:

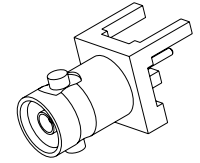
1. MATERIALS AND FINISHES:  
 BODY - BRASS, GOLD PLATING.  
 CONTACT - BeCu, GOLD PLATING.  
 INSULATOR - PTFE
2. ELECTRICAL:  
 A. IMPEDANCE: 75 OHM  
 B. FREQUENCY RANGE: DC - 4.5 GHz  
 C. DIELECTRIC WITHSTANDING VOLTAGE: 1000 VRMS, MIN.  
 D. INSULATION RESISTANCE: 10,000 MEGOHMS MIN  
 E. VOLTAGE RATING: 335 VRMS
3. MECHANICAL:  
 A. DURABILITY: 500 CYCLES MIN.
4. ENVIRONMENTAL:  
 A. THERMAL SHOCK PER MIL-STD-202 METHOD 107  
 TEST CONDITION B (EXCEPT HIGH TEMP @200°C)  
 B. VIBRATION: MIL-STD-202 METHOD 204 TEST CONDITION B  
 C. SHOCK: MIL-STD-202 METHOD 213 TEST CONDITION B  
 D. CORROSION: MIL-STD-202 METHOD 101  
 TEST CONDITION B 5% SALT SOLUTION
5. PACKAGING:  
 A. QUANTITY: SINGLE PACK  
 B. MARKING: BAG TO BE MARKED:  
 "AMPHENOLRF, 34-1021 DATE CODE"



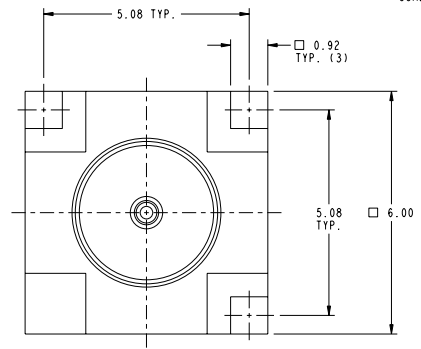
**SCALE 5.000  
 RECOMMENDED PCB MOUNTING  
 HOLES DIMENSIONS**



		REVISIONS			
REV	DESCRIPTION	DATE	ECO	APPR	
A	RELEASE TO MFG.	25-May-10	48095	SH	



SCALE 4.000



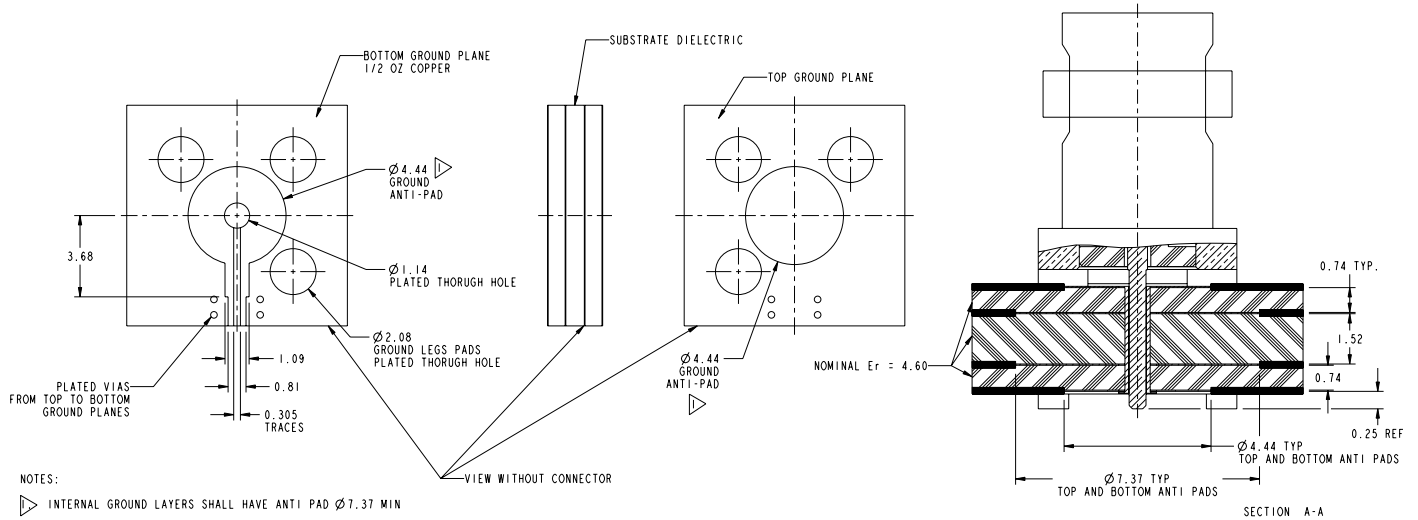
**CUSTOMER OUTLINE DRAWING**  
 ALL OTHER SHEETS ARE FOR INTERNAL USE ONLY

<small>UNLESS OTHERWISE SPECIFIED, DIMENSIONS ARE IN METRIC AND TOLERANCES ARE:          &lt;0.5mm ±0.05mm 0.5 - 6mm ±0.1mm 6 - 30mm ±0.2mm 30 - 120mm ±0.3mm ANGLES ±1°</small> <small>NOTICE - These drawings, specifications, or other data (1) are, and remain the property of Amphenol Corp. (2) must be returned upon request, and (3) are confidential and not to be disclosed to any person other than those to whom they are given by Amphenol Corp. The furnishing of these drawings, specifications, or other data by Amphenol Corp., or to any other person to anyone for any purpose is not to be regarded by implication or otherwise in any manner licensing, granting rights to permitting such holder or any other person to manufacture, use or sell any product, process or design, patented or otherwise, that may in any way be related to or disclosed by said drawings, specifications, or other data.</small>	MATERIAL	DRAWN	DATE	<b>TITLE</b> HD-BNC STR JACK PCB THROUGH HOLE 3 LEGS RECEPTACLE SCALE: 11.0:1.0 SHEET 2 OF 4 DWG SIZE B REV A	<b>Amphenol RF</b> Danbury CT USA, Tainan, Taiwan, Shenzhen, China www.amphenolrf.com DRAWING NO. 34-1021 ITEM NO. 34-1021 PART NO. 34-1021
	SEE NOTES	ENGINEER	DATE		
	REFERENCE	APPROVED	DATE		
	CONFIGURATION LEVEL: Prototype	CAD FILE			
FINISH		Root Folder/HD-BNC/34-1021			

THIRD ANGLE PROJ.		REVISIONS			
REV	DESCRIPTION	DATE	ECO	APPR	
A	RELEASE TO MFG.	25-May-10	48095	SH	

# RECOMMENDED PCB LAUNCH FOR OPTIMAL RF PERFORMANCE

VARIATIONS IN BOARD SUBSTRATE AND TRACE MAY REQUIRE DIFFERENT GEOMETRY



UNLESS OTHERWISE SPECIFIED, DIMENSIONS ARE IN METRIC AND TOLERANCES ARE: <math>< 0.5mm </math> <math&gt;0.5 &lt;="" -="" 120mm="" 30mm="" 6mm="" <math&gt;30="" <math&gt;6="" angles<br="" math&gt;=""></math&gt;0.5> <math&gt;\pm &lt;="" 0.05mm="" 0.1mm="" 0.2mm="" 0.3mm="" <="" <math&gt;\pm="" math&gt;="" td=""> <td>MATERIAL</td> <td>DRAWN</td> <td>DATE</td> <td rowspan="2">         TITLE          HD-BNC, STR JACK          PCB THROUGH HOLE          3 LEGS RECEPTACLE       </td> <td rowspan="2">         Amphenol RF          Danbury CT USA, Tainan, Taiwan, Shenzhen, China          www.amphenolrf.com       </td> </math&gt;\pm>	MATERIAL	DRAWN	DATE	TITLE HD-BNC, STR JACK PCB THROUGH HOLE 3 LEGS RECEPTACLE	Amphenol RF Danbury CT USA, Tainan, Taiwan, Shenzhen, China www.amphenolrf.com
	NOTICE - These drawings, specifications, or other data (1) are, and remain the property of Amphenol Corp. (2) must be returned upon request; and (3) are confidential and not to be disclosed to any person other than those to whom they are given by Amphenol Corp. The furnishing of these drawings, specifications, or other data by Amphenol Corp., or to any other person to anyone for any purpose is not to be regarded by implication or otherwise in any manner licensing, granting rights to permitting such holder or any other person to manufacture, use or sell any product, process or design, patented or otherwise, that may in any way be related to or disclosed by said drawings, specifications, or other data.	---	S.L.I		
REFERENCE	EAR #3965	ENGINEER	DATE	SCALE: 1.0:1.0 SHEET 3 OF 4	DRAWING NO. 34-1021
CONFIGURATION LEVEL: Prototype		APPROVED	DATE	DWG SIZE	ITEM NO. 34-1021
FINISH		S.H.SIEH	14-May-10	B	PART NO. 34-1021
		CAD FILE		REV	
		Root Folder/HD-BNC/34-1021		A	

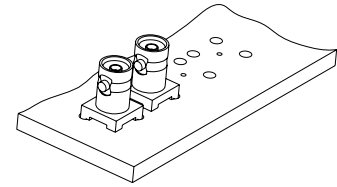
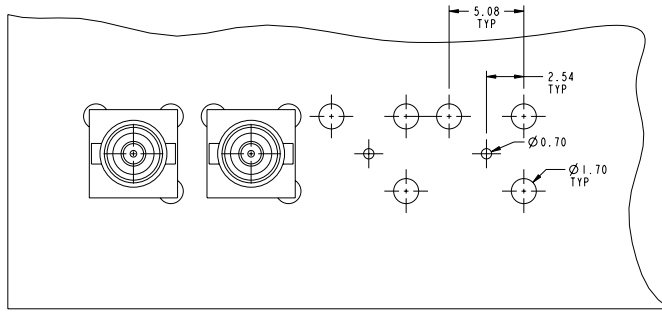
THIRD ANGLE PROJ.

REVISIONS

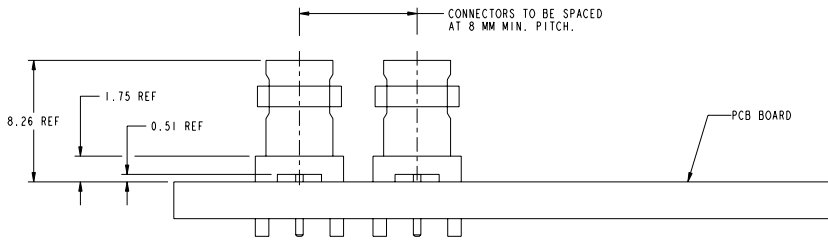
REV	DESCRIPTION	DATE	ECO	APPR
A	RELEASE TO MFG.	25-May-10	48095	SH

**CUSTOMER OUTLINE DRAWING**

ALL OTHER SHEETS ARE FOR INTERNAL USE ONLY



SCALE 2.000



**RECOMMENDED PCB MOUNTING HOLES**

UNLESS OTHERWISE SPECIFIED, DIMENSIONS ARE IN METRIC AND TOLERANCES ARE:  
 <0.5mm ±0.05mm, 0.5 - 6mm ±0.1mm, 6 - 30mm ±0.2mm, 30 - 120mm ±0.3mm, ANGLES ±1°

NOTICE - These drawings, specifications, or other data (1) are, and remain the property of Amphenol Corp. (2) must be returned upon request, and (3) are confidential and not to be disclosed to any person other than those to whom they are given by Amphenol Corp. The furnishing of these drawings, specifications, or other data by Amphenol Corp. or to any other person for any purpose is not to be regarded by implication or otherwise in any manner licensing, granting rights to permitting such holder or any other person to manufacture, use or sell any product, process or design, patented or otherwise, that may in any way be related to or disclosed by said drawings, specifications, or other data.

MATERIAL	---	DRAWN	S.L.I	DATE	13-May-10	TITLE	HD-BNC, STR JACK PCB THROUGH HOLE 3 LEGS RECEPTACLE	Amphenol RF Danbury CT USA, Tainan, Taiwan, Shenzhen, China www.amphenolrf.com
REFERENCE	EAR #3965	ENGINEER	PADMANABHAN E	DATE	10-Mar-10			
CONFIGURATION LEVEL:	Prototype	APPROVED	S. HSIEH	DATE	14-May-10	SCALE: 12.0:1.0	SHEET 4 OF 4	ITEM NO. 34-1021
FINISH		CAD FILE	Root Folder/HD-BNC/34-1021	DWG SIZE	B	REV	A	PART NO. 34-1021