

Excellent Integrated System Limited

Stocking Distributor

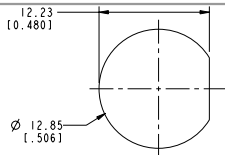
Click to view price, real time Inventory, Delivery & Lifecycle Information:

[Amphenol RF](#)
[APH-HD-ISO-BNC](#)

For any questions, you can email us directly:

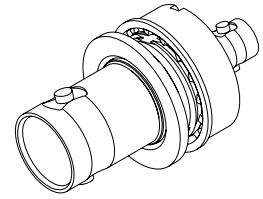
sales@integrated-circuit.com

- NOTES:
- MATERIALS AND FINISHES:
 BODY - BRASS, NICKEL PLATING
 CONTACT - BERYLLIUM COPPER, GOLD PLATING
 INSULATOR - PTFE
 - ELECTRICAL:
 A. IMPEDANCE: 75 OHM
 B. FREQUENCY RANGE: DC - 3 GHz
 C. RETURN LOSS: -30 dB MIN @ 3 GHz
 - MECHANICAL:
 A. DURABILITY: 500 CYCLES MIN.
 B. TEMPERATURE RANGE: -65° C TO +165° C
 - PACKAGING:
 A. QUANTITY: SINGLE PACK
 B. MARKING: BAG TO BE MARKED
 "AMPHENOLRF, APH-HD-ISO-BNC AND DATE CODE"

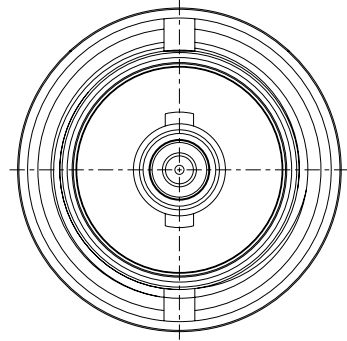
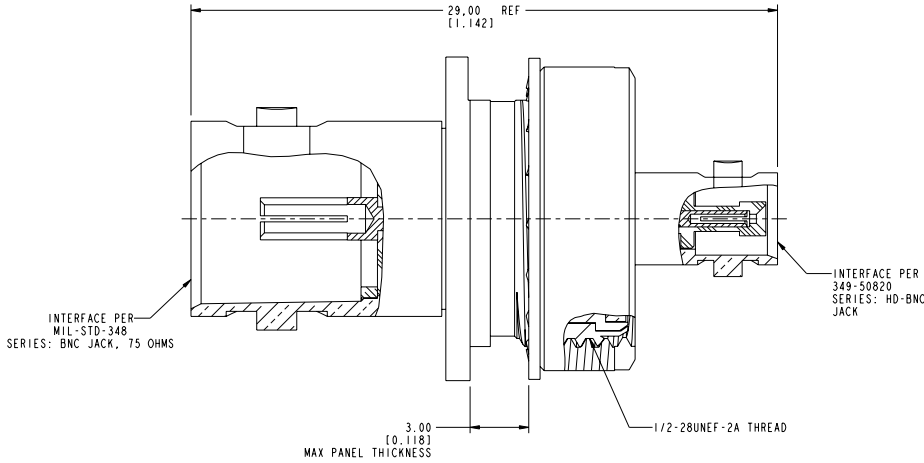


**SCALE 2.500
 RECOMMENDED PCB
 DIMENSIONS**

| REVISIONS | | | | |
|-----------|--|-----------|-------|------|
| REV | DESCRIPTION | DATE | ECO | APPR |
| A | RELEASE TO MFG | 4/17/11 | 48505 | CL |
| B | ADDED FLANGE, CHANGED LOCKWASHER AND NUT. PCB DIM. WAS 12.40 | 15-Jun-11 | 48638 | MJS |



SCALE 2.500



CUSTOMER OUTLINE DRAWING
 ALL OTHER SHEETS ARE FOR INTERNAL USE ONLY

| | | | | | |
|---|----------------------------------|----------|-----------|--|---|
| UNLESS OTHERWISE SPECIFIED, DIMENSIONS ARE IN METRIC AND TOLERANCES ARE: <0.5mm ±0.05mm 0.5 - 6mm ±0.1mm 6 - 30mm ±0.2mm 30 - 120mm ±0.3mm ANGLES ±1° NOTICE - These drawings, specifications, or other data (1) are, and remain the property of Amphenol Corp. (2) must be returned upon request; and (3) are confidential and not to be disclosed to any person other than those to whom they are given by Amphenol Corp. The furnishing of these drawings, specifications, or other data by Amphenol Corp., or to any other person to anyone for any purpose is not to be regarded by implication or otherwise in any manner licensing, granting rights to permitting such holder or any other person to manufacture, use or sell any product, process or design, patented or otherwise, that may in any way be related to or disclosed by said drawings, specifications, or other data. | MATERIAL | DRAWN | DATE | TITLE ISOLATED ADAPTER 75 OHM, BNC BHD JACK TO HD BNC JACK SCALE: 5.5:1.0 SHEET 2 OF 2 DWG SIZE B REV B | Amphenol RF www.amphenolrf.com DRAWING NO. APH-HD-ISO-BNC ITEM NO. APH-HD-ISO-BNC PART NO. APH-HD-ISO-BNC |
| | SEE NOTES | ENGINEER | DATE | | |
| | REFERENCE | APPROVED | DATE | | |
| | FINISH | CAD FILE | | | |
| | EAR # 4295 AND EXP:615X-2714-100 | S. HSIEH | 21-Jun-11 | | |