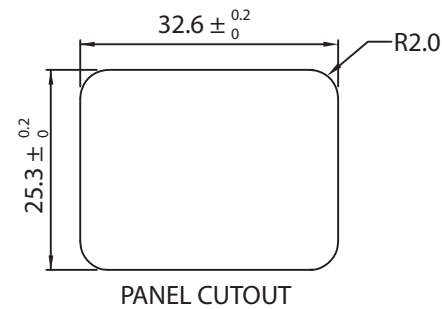
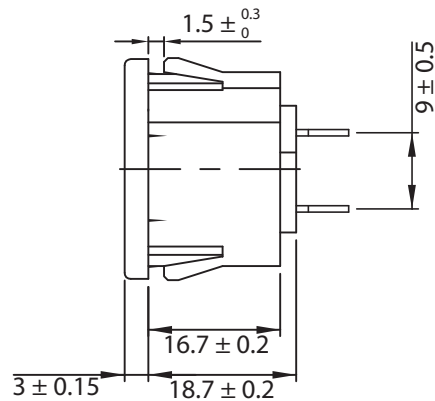
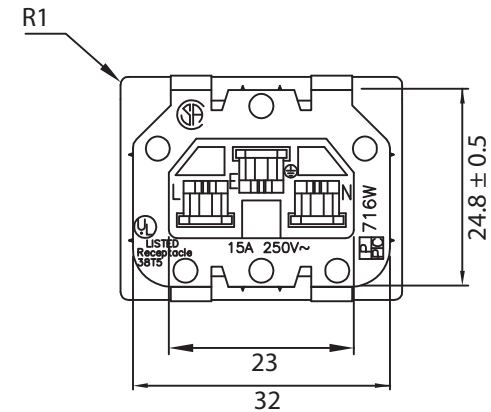
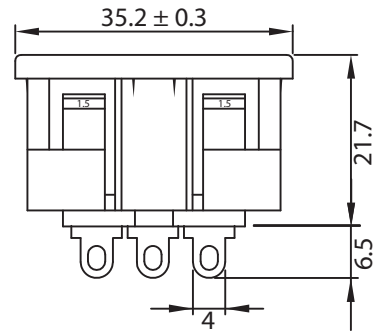
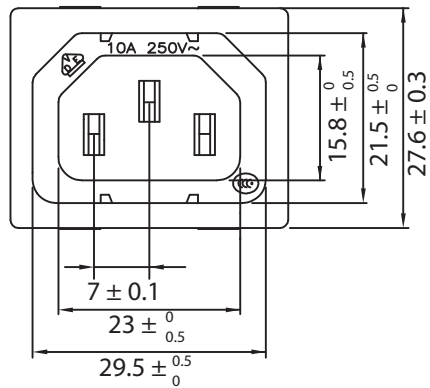


THESE DRAWINGS ARE THE PROPERTY OF QUALTEK ELECTRONICS AND NOT TO BE REPRODUCED FOR OR COMMUNICATED TO A THIRD PARTY WITHOUT THE EXPRESS WRITTEN PERMISSION OF AN OFFICER OF QUALTEK ELECTRONICS.

| REVISION |                                      |          |          |
|----------|--------------------------------------|----------|----------|
| REV.     | DESCRIPTION                          | DATE     | APPROVED |
| B        | RoHS Compliancy                      | 06-01-06 | DP       |
| C        | Updated Specifications               | 08-29-08 | LY       |
| D        | Updated Specifications and Approvals | 05-05-14 | LY       |



NOTES:

MATERIAL:

HOUSING: PC  
CONTACTS: BRASS, TIN PLATED

RATING:

UL, CSA: 15A 250V AC  
VDE, CCC: 10A 250V AC  
APPROVALS: UL, CSA, VDE, CCC  
PANEL THICKNESS: 1.5mm  
RoHS COMPLIANT

**CONTROLLED**

| Dim range (mm) | Tolerance +/- (mm) | Qualtek Electronics Corp.<br>PPC DIVISION |                |                 |
|----------------|--------------------|---|----------------|-----------------|
|                |                    | Part Number:                              | 716W-15/05     | RoHS Compliant  |
| 0-1            | 0.15               | Description: AC RECEPTACLE                |                |                 |
| 1-6            | 0.20               |   |                |                 |
| 6-18           | 0.30               |   | UNIT: mm       | REV. D          |
| 18-50          | 0.50               |   |                |                 |
| 50-120         | 0.70               | Drawn / Date                              | Checked / Date | Approved / Date |
| 120-250        | 0.90               | B.ZHANG<br>10-01-02                       | 10-01-02       | JJH / 10-01-02  |
| 250-500        | 1.20               |   |                |                 |