

## Excellent Integrated System Limited

Stocking Distributor

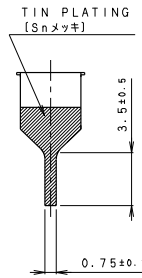
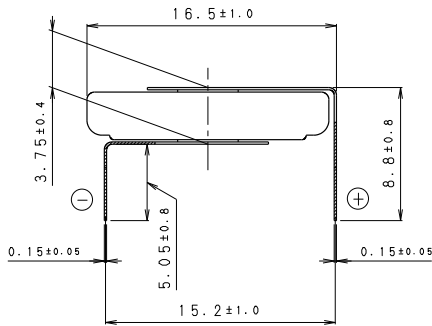
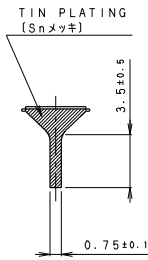
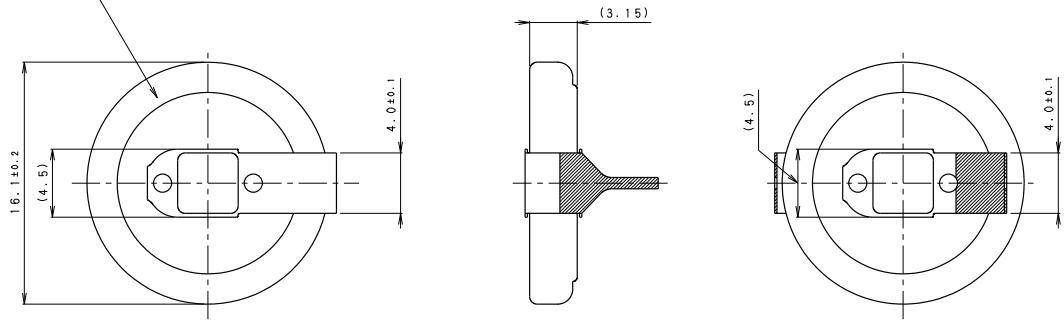
Click to view price, real time Inventory, Delivery & Lifecycle Information:

[Panasonic - BSG](#)  
[BR-1632A/HAN](#)

For any questions, you can email us directly:

[sales@integrated-circuit.com](mailto:sales@integrated-circuit.com)

INSULATOR (YELLOW)  
【絶縁チューブ (黄色)】



NOTE (注記)

1. TAB PULLING STRENGTH OVER 14.7N (端子引抜強度: 14.7N以上)
2. TAB MATERIAL: STAINLESS STEEL WITH TIN PLATING  
【端子材料: 基材 ステンレス/表面 部分Snメッキ】
3. ( ): REFERENCE DIMENSION AND ANGLE ( ( ) 寸法、角度は参考値)

PRODUCT NO.	BR-1632A/HAN	SCALE	4 : 1
DRAWING NO.	MMHA1Z	REV.	0
		UNIT:mm	