

Excellent Integrated System Limited

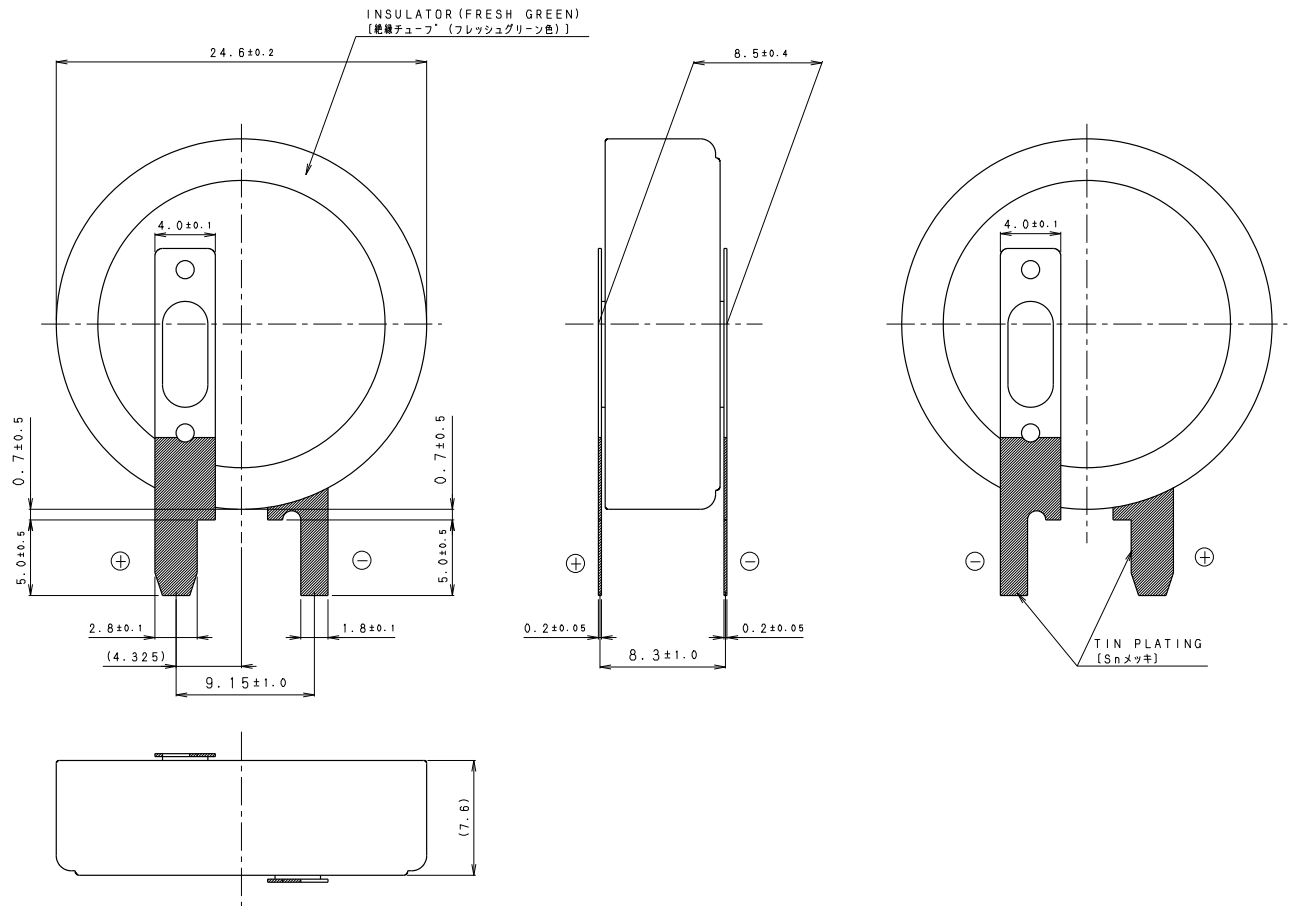
Stocking Distributor

Click to view price, real time Inventory, Delivery & Lifecycle Information:

[Panasonic - BSG](#)
[BR-2477A/VAN](#)

For any questions, you can email us directly:

sales@integrated-circuit.com



NOTE (注記)

1. TAB PULLING STRENGTH OVER 19.6N (端子引抜強度: 19.6N以上)
2. TAB MATERIAL: STAINLESS STEEL WITH TIN PLATING
【端子材料: 基材 ステンレス/表面 部分Snメッキ】
3. (): REFERENCE DIMENSION AND ANGLE (() 寸法、角度は参考値)

PRODUCT NO.	BR-2477A/VAN	SCALE	4:1
DRAWING NO.	RXVA1Z	REV.	0
		UNIT:mm	