

Excellent Integrated System Limited

Stocking Distributor

Click to view price, real time Inventory, Delivery & Lifecycle Information:

[Honeywell Sensing and Productivity Solutions](#)
[3BV12B014](#)

For any questions, you can email us directly:

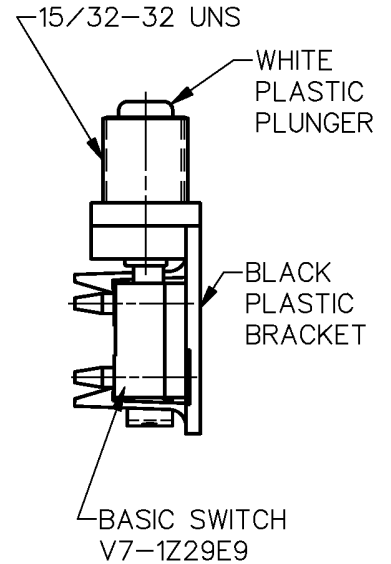
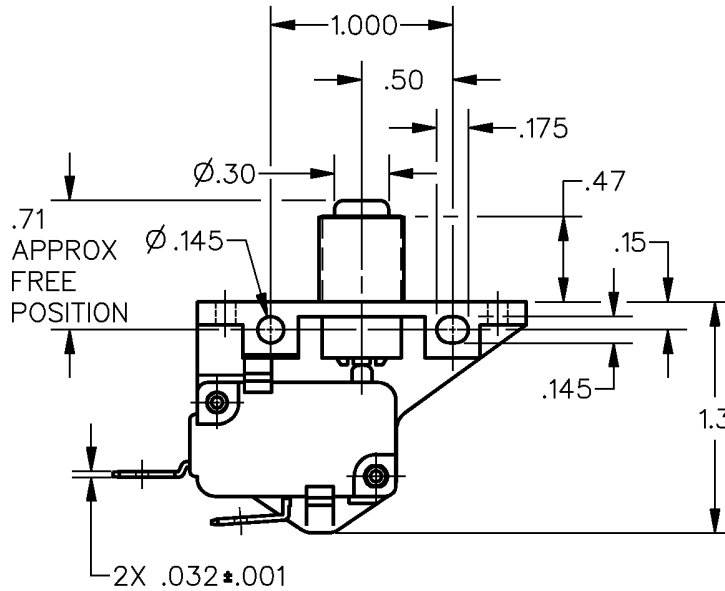
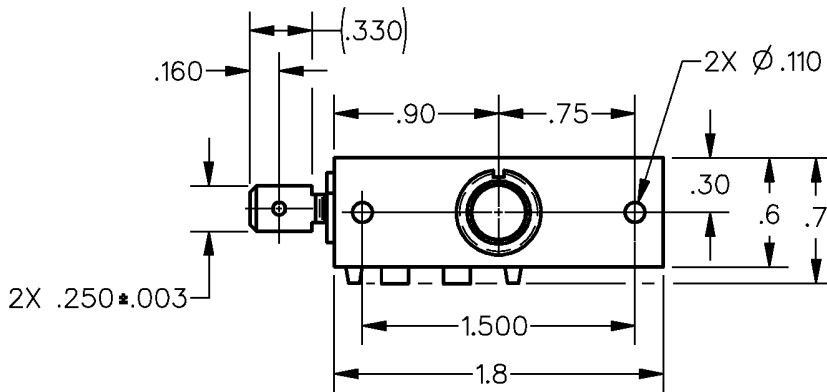
sales@integrated-circuit.com



MICRO SWITCH
 a Honeywell Division
 FED. MFG. CODE 91929

SWITCH - BASIC

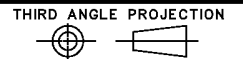
CATALOG LISTING
3BV12B014
 LP-R1657



NOTE
 1 - MARK BASIC SWITCH WITH V7-1Z29E9

ANSI Y14.5M-1982 APPLIES

THIS DRAWING COVERS A PROPRIETARY ITEM AND IS THE PROPERTY OF MICRO SWITCH, A DIVISION OF HONEYWELL. THIS DRAWING IS NOT TO BE COPIED OR USED WITHOUT THE APPROVAL OF MICRO SWITCH.



CHARACTERISTICS
 OPERATING FORCE --- 270 GRAMS MAX
 PRETRAVEL --- .052 MAX

ELECTRICAL DATA

CONTACT ARRANGEMENT
 S P N O

25A, 277 VAC
 1HP, 125 VAC
 2HP, 250 VAC

SCALE FULL DO NOT SCALE PRINT

UNLESS OTHERWISE SPECIFIED TOLERANCES ARE

ONE PLACE (.0) ± .030
 TWO PLACE (.00) ± .015
 THREE PLACE (.000) ± .005
 ANGLES ±

WEIGHT



CATALOG LISTING 3BV12B014 PAGE 1 OF 1
 ISSUE M 1
 REPLACES X102247-BV
 RELEASE NO. PR-22774
 CHECK
 REVISIONS
 CHECK
 DDM/CAD DRAWN
 K D R 26 APR 97
 CHECK