

Excellent Integrated System Limited

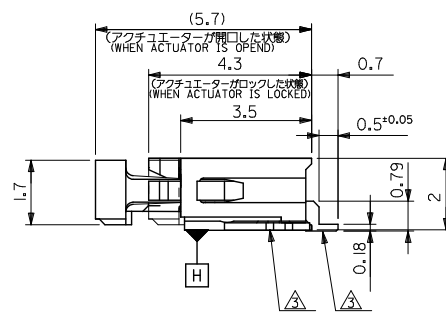
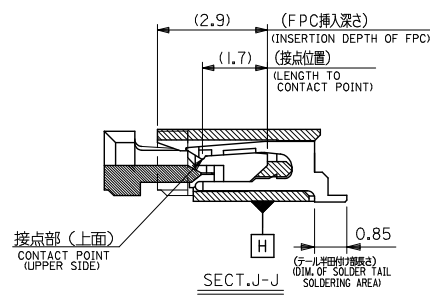
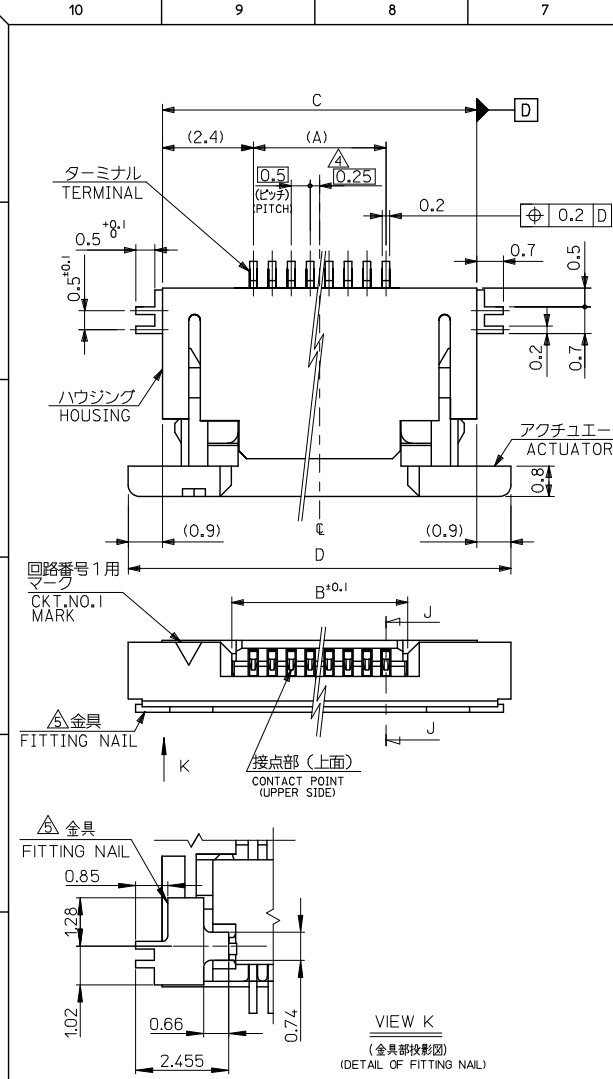
Stocking Distributor

Click to view price, real time Inventory, Delivery & Lifecycle Information:

[Molex Connector Corporation](#)
[52745-0490](#)

For any questions, you can email us directly:

sales@integrated-circuit.com

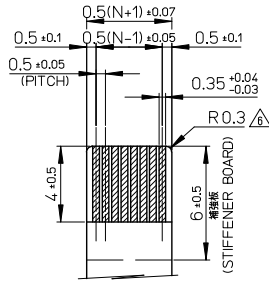


16.1	14.3	10.65	9.5	52745-2090	20
15.6	13.8	10.15	9	52745-1990	19
14.1	12.3	8.65	7.5	52745-1690	16
13.6	11.8	8.15	7	52745-1590	15
12.6	10.8	7.15	6	52745-1390	13
11.6	9.8	6.15	5	52745-1190	11
11.1	9.3	5.65	4.5	52745-1090	10
10.6	8.8	5.15	4	52745-0990	9
10.1	8.3	4.65	3.5	52745-0890	8
9.6	7.8	4.15	3	52745-0790	7
9.1	7.3	3.65	2.5	52745-0690	6
8.1	6.3	2.65	1.5	52745-0490	4
D	C	B	(A)	EMBOSSED PACKAGE	極数 CKT.

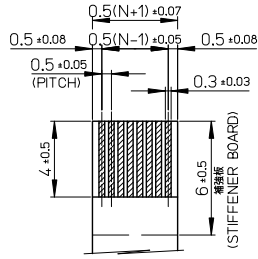
CONNECTOR SERIES NO. : 52745-***17

REVISED EC NO. J2016-0389 DRAWN: MORISHITA 2015/10/20 CHKD: TAKAHASHI 2015/10/20 APPR: YNOGAWA 2015/11/13	GENERAL TOLERANCES (UNLESS SPECIFIED)		DIMENSION STYLE MM ONLY		SCALE 10:1	DESIGN UNITS METRIC	THIRD ANGLE PROJECTION
	0.25 UNDER	UNDER	±0.03	DRAWN BY SAIHARA	DATE 1994/03/24	TITLE 0.5 FPC CONN. ZIF FOR SMT R/A (UPPER CONTACT) TIN-LEAD PLATING	
	0.25 OVER	0.5 UNDER	±0.005	CHECKED BY SKUNISHI	DATE 2000/06/30	molex	
	0.5 OVER	1.0 UNDER	±0.1	APPROVED BY KNORIKAWA	DATE 2010/07/16	DOCUMENT NO. SD-52745-054	SHEET NO. 1 OF 2
1.0 OVER	30 UNDER	±0.2	MATERIAL NO.	SEE CHART			INCORPORATED AND SHOULD NOT BE USED WITHOUT WRITTEN PERMISSION
30 OVER		±0.3	ANGULAR	±3°		DRAFT WHERE APPLICABLE MUST REMAIN WITHIN DIMENSIONS	

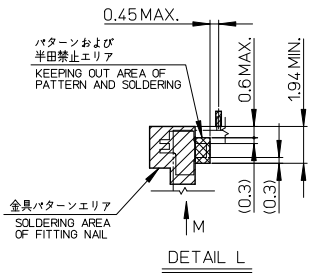
10 9 8 7 6 5 4 3 2 1



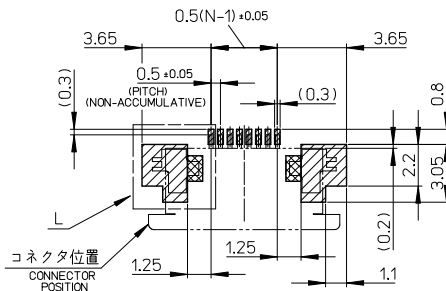
適合金めっきFPC推奨寸法
APPLICABLE FPC OF GOLD
PLATING RECOMMENDED DIMENSION
仕上がり厚さ: 0.3±0.03
THICKNESS: 0.3±0.03/-0.03



適合金めっきFFC推奨寸法
APPLICABLE FFC OF GOLD
PLATING RECOMMENDED DIMENSION
仕上がり厚さ: 0.3±0.03
THICKNESS: 0.3±0.03/-0.03

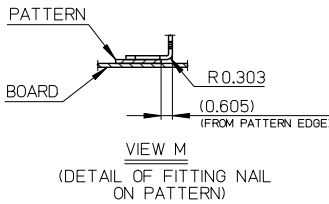


DETAIL L



コネクタ位置
CONNECTOR POSITION

参考基板レイアウト
(マウント面)
RECOMMENDED P.C.BOARD
PATTERN DIMENSION(REF.)
(MOUNTING SIDE)



VIEW M
(DETAIL OF FITTING NAIL
ON PATTERN)

注記NOTES

1. 使用材料

MATERIAL

ハウジング: 46ナイロン, ガラス充填, UL94V-0, 白
HOUSING: PA46, GLASS FILLED, UL94V-0, WHITE
アクチュエータ: ポリフェニレンサルファイド (PPS), ガラス充填, UL94V-0, 黒
ACTUATOR: POLYPHENYLENE SULFIDE, GLASS FILLED, UL94V-0, BLACK
ターミナル: リン青銅, 銅下地半田めっき (t=0.2)
TERMINAL: PHOSPHOR BRONZE, TIN-LEAD OVER COPPER PLATING
金具: リン青銅, 銅下地半田めっき (t=0.2)
FITTING NAIL: PHOSPHOR BRONZE, TIN-LEAD OVER COPPER PLATING

2. エンボステープ梱包時は、アクチュエータがロックした状態になります。

IN THE PACKAGE, ACTUATOR OF PART NO.52745-017 SHOULD BE LOCKED.

③ ソルダータール半田付け面のズレ量、及び金具半田付け面のズレ量は、基準面Hに対して上方向に0.1MAXIMUM、下方向0.15MAXIMUMとする。
MISALIGNMENT OF SOLDER TAILS AND FITTING NAILS FROM DATUM-H,
UPPER DIRECTION: 0.1MAXIMUM
LOWER DIRECTION: 0.15 MAXIMUM

④ 偶数極に適用

APPLY FOR EVEN CIRCUIT.

⑤ パターン剥離止め金具

FITTING NAIL FOR PREVENTION OF PEELING OF P.W.B. PATTERN.

⑥ R0.3は、FPCの胴体部にかからないこと

R0.3 MUST NOT BE OVERLAPED TO PATTERN OF FPC.

FPCについて:

打抜き方向は導体側から補強板を推奨致します。
補強フィルム材質はポリイミドを推奨致します。
接着剤は熱硬化接着剤を推奨致します。

ABOUT FPC:

RECOMMENDED PUNCHER DIRECTION : FROM CONDUCTOR SIDE TO STIFFENER BOARD SIDE.

RECOMMENDED MATERIAL :

STIFFENER FILM : POLYIMIDE

BONDING AGENT : THERMOSETTING BONDING AGENT

GENERAL TOLERANCES (UNLESS SPECIFIED)		DIMENSION STYLE		SCALE	DESIGN UNITS	THIRD ANGLE PROJECTION	
0.25 UNDER	UNDER	MM ONLY	DATE	5:1	METRIC		
±0.03	±0.03	DRAWN BY	1994/03/24	TITLE 0.5 FPC CONN. ZIF FOR SMT R/A (UPPER CONTACT) TIN-LEAD PLATING			
0.25 OVER	0.5 UNDER	CHECKED BY	DATE				
0.5 OVER	1.0 UNDER	SKUNISHI	2000/06/30				
1.0 OVER	10 UNDER	APPROVED BY	DATE				
10 OVER	30 UNDER	KMORIKAWA	2010/07/16				
30 OVER	±0.3	MATERIAL NO.	DOCUMENT NO.	SHEET NO. 2 OF 2			
ANGULAR ±3°		SEE SHEET 1		SD-52745-054			
DRAFT WHERE APPLICABLE MUST REMAIN WITHIN DIMENSIONS		SIZE		THIS DRAWING CONTAINS INFORMATION THAT IS PROPRIETARY TO MOLEX INCORPORATED AND SHOULD NOT BE USED WITHOUT WRITTEN PERMISSION			

9 8 7 6 5 4 3 2 1

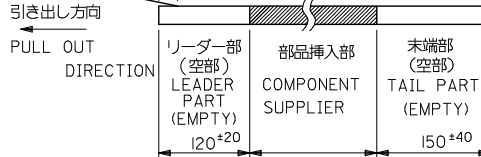
10 9 8 7 6 5 4 3 2 1

注記 NOTES

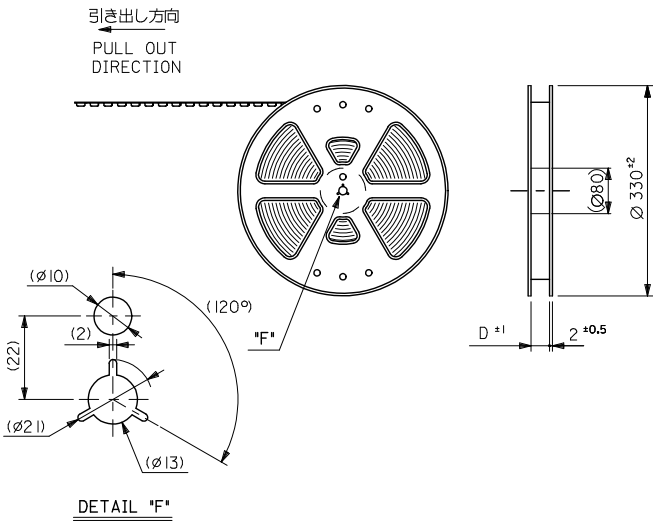
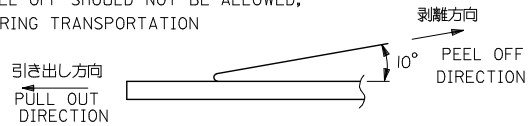
1. 製品番号 52745-***17 の梱包状態はアクチュエータがロックした状態とする。
詳細寸法については図面 SD-52745-054 を参照下さい。
IN THE PACKAGE,ACTUATOR OF PART NO.52745-***17 SHOULD BE LOCKED
RE DETAILED DIMENSIONS,SEE SD-52745-054

2. 梱包数量：1000個/リール
NUMBER OF CONNECTORS:1000PCS/REEL

3. リードテープ長さ LEAD TAPE LENGTH



4. トップテープの剥離強度：(剥離方向は下図参照)
0.1N~0.7N(10.2gf~71.4gf) 尚、本規格値は、出荷時に適用。
(但し、輸送時に剥離が発生しない事。)
PEELING OFF FORCE OF TOP TAPE
0.1N~0.7N(10.2gf~71.4gf)(PEELING DIRECTION AS SHOWN IN FOLLOWING FIG.)
THIS REQUIREMENT SHOULD BE APPLIED AT SHIPMENT
PEEL OFF SHOULD NOT BE ALLOWED,
DURING TRANSPORTATION



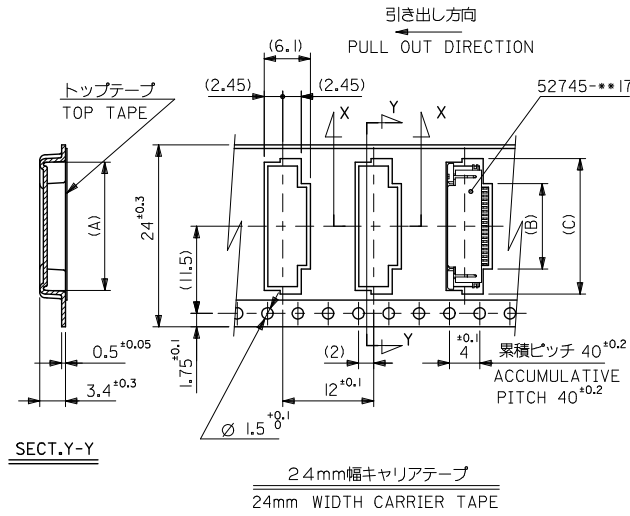
DETAIL *F*

5. 材料
キャリアテープ:ポリプロピレン (PP)
トップテープ:PET, PE, PEF
リール:ポリスチレン (PS) <リサイクル材を含む>
MATERIAL CARRIER TAPE:POLYPROPYLENE
TOP TAPE:PET,PE,PEF
REEL:POLYSTYREN(PS)
<RECYCLE MATERIAL CONTAINED>

REVISED EC NO. J2016-0389 DRAWN: MORI SHITA 2015/10/20 CHKD: TAKAHASHI 2015/10/20 APPR: INOGAWA 2015/11/13	GENERAL TOLERANCES (UNLESS SPECIFIED)			DIMENSION STYLE MM ONLY		SCALE ---	DESIGN UNITS METRIC	THIRD ANGLE PROJECTION
	0.25 UNDER	UNDER	±0.03	DRAWN BY	DATE	TITLE		
	0.25 OVER	0.5 UNDER	±0.05	MTAKAHASHI 04	2013/07/30	0.5 FPC CONN ZIF SMT RA UPPER CONTACT EMBSTP PKG (1/3)		
	0.5 OVER	4.0 UNDER	±0.1	CHECKED BY	DATE	molex		
1.0 OVER	10 UNDER	±---	KTAKAHASHI	2013/07/30	DOCUMENT NO.			
10 OVER	30 UNDER	±---	APPROVED BY	DATE	SD-52745-057			
30 OVER		±---	INOGAWA	2013/11/07	SHEET NO.			
ANGULAR	±---	°	MATERIAL NO.	SEE SHEET 1		1 OF 3		
DRAFT WHERE APPLICABLE MUST REMAIN WITHIN DIMENSIONS				SIZE	THIS DRAWING CONTAINS INFORMATION THAT IS PROPRIETARY TO MOLEX INCORPORATED AND SHOULD NOT BE USED WITHOUT WRITTEN PERMISSION			

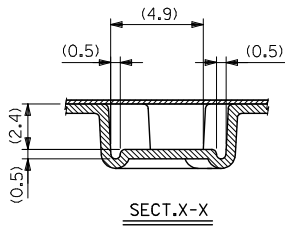
9 8 7 6 5 4 3 2 1

10 9 8 7 6 5 4 3 2 1



SECT.Y-Y

24mm幅キャリアテープ
24mm WIDTH CARRIER TAPE



SECT.X-X

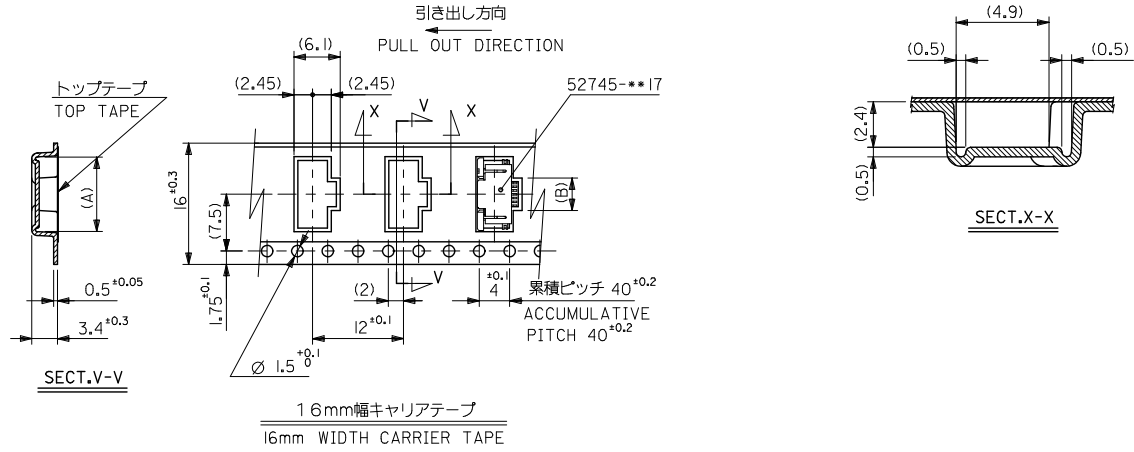
24	25.5	17.4	10.8	16.4	52745-2090	20	
		16.9	10.3	15.9	-1990	19	
		15.4	8.8	14.4	-1690	16	
		14.9	8.3	13.9	-1590	15	
		13.9	7.3	12.9	-1390	13	
		12.9	6.3	11.9	-1190	11	
		12.4	5.8	11.4	-1090	10	
		11.9	5.3	10.9	-0990	9	
		11.4	4.8	10.4	-0890	8	
		10.4	3.8	9.4	-0790	7	
キャリアテープ幅 CARRIER TAPE IDTH		D	(C)	(B)	(A)	52745-0690	6

SCALE	DESIGN UNITS	THIRD ANGLE PROJECTION
---	METRIC	◎ □
DRAWN BY DATE MTAKAHASHI 04 2013/07/30		
CHECKED BY DATE KTAKAHASHI 2013/07/30		
APPROVED BY DATE YNOGAWA 2013/11/07		
MATERIAL NO.		DOCUMENT NO.
SEE CHART		SD-52745-057
DRAFT WHERE APPLICABLE MUST REMAIN WITHIN DIMENSIONS		SHEET NO. 2 OF 3

REVISED	DESCRIPTION	GENERAL TOLERANCES (UNLESS SPECIFIED)
1	DRW: MORI SHITA 2015/10/20	0.25 UNDER UNDER ±0.03
2	CHK: KTAKAHASHI 2015/10/20	0.25 OVER 0.5 UNDER ±0.05
3	APP: YNOGAWA 2015/11/13	0.5 OVER 4.0 UNDER ±0.1
		1.0 OVER 10 UNDER ±---
		30 OVER 30 UNDER ±---
		ANGULAR ±--- °

9 8 7 6 5 4 3 2 1

10 9 8 7 6 5 4 3 2 1



16	17.5	2.8	8.4	52745-0490	4
キャリアテープ幅 CARRIER TAPE WIDTH	D	(B)	(A)	ENG. NO.	極致 CIRCUIT

REVISED IEC NO. J2016-0389 DRAWN: MORI SHITA 2015/10/20 CHIKO TAKAHASHI 2015/10/20 APPR: YNOGAWA 2015/11/13	GENERAL TOLERANCES (UNLESS SPECIFIED)			DIMENSION STYLE		SCALE	DESIGN UNITS	THIRD ANGLE PROJECTION
	0.25 UNDER	UNDER	±0.03	MM ONLY		---	METRIC	☉ □
	0.25 OVER	0.5 UNDER	±0.05	DRAWN BY DATE		TITLE		
	0.5 OVER	1.0 UNDER	±0.1	MTAKAHASHI 04 2013/07/30		0.5 FPC CONN ZIF SMT RA UPPER CONTACT EMBSTP PKG (3/3)		
	1.0 OVER	10 UNDER	±---	CHECKED BY DATE		molex DOCUMENT NO. SD-52745-057 SHEET NO. 3 OF 3		
	10 OVER	30 UNDER	±---	XTAKAHASHI 2013/07/30				
	30 OVER		±---	APPROVED BY DATE				
	ANGULAR	±---	°	YNOGAWA 2013/11/07				
DRAFT WHERE APPLICABLE MUST REMAIN WITHIN DIMENSIONS				SEE CHART				
				MATERIAL NO.				
				SIZE				
				A3				
				THIS DRAWING CONTAINS INFORMATION THAT IS PROPRIETARY TO MOLEX INCORPORATED AND SHOULD NOT BE USED WITHOUT WRITTEN PERMISSION				

9 8 7 6 5 4 3 2 1