

## Excellent Integrated System Limited

Stocking Distributor

Click to view price, real time Inventory, Delivery & Lifecycle Information:

[Molex Connector Corporation](#)

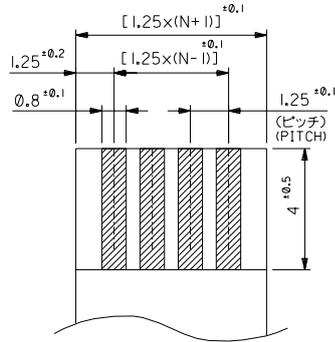
[39-51-3043](#)

For any questions, you can email us directly:

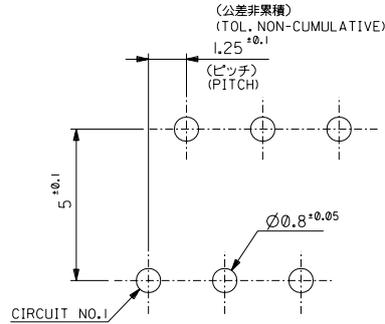
[sales@integrated-circuit.com](mailto:sales@integrated-circuit.com)



DWG. NO. SD-5597-004



適合FPC/FFC推奨寸法  
RECOMMENDED FPC/FFC  
厚さ THK : 0.3±0.05



基板取付穴推奨寸法 (t=1.6)  
RECOMMENDED P.C. BOARD  
HOLE DIMENSION

DO NOT SCALE DRAWING

E83NO. DRAWN: CHK: APPR:	E82NO. DRAWN: CHK: APPR:	E81NO. DRAWN: CHK: APPR:	E80NO. DRAWN: CHK: APPR:	E79NO. DRAWN: CHK: APPR:	E78NO. DRAWN: CHK: APPR:	E77NO. DRAWN: CHK: APPR:	E76NO. DRAWN: CHK: APPR:	E75NO. DRAWN: CHK: APPR:	E74NO. DRAWN: CHK: APPR:	E73NO. DRAWN: CHK: APPR:	E72NO. DRAWN: CHK: APPR:	E71NO. DRAWN: CHK: APPR:	E70NO. DRAWN: CHK: APPR:	E69NO. DRAWN: CHK: APPR:	E68NO. DRAWN: CHK: APPR:	E67NO. DRAWN: CHK: APPR:	E66NO. DRAWN: CHK: APPR:	E65NO. DRAWN: CHK: APPR:	E64NO. DRAWN: CHK: APPR:	E63NO. DRAWN: CHK: APPR:	E62NO. DRAWN: CHK: APPR:	E61NO. DRAWN: CHK: APPR:	E60NO. DRAWN: CHK: APPR:	E59NO. DRAWN: CHK: APPR:	E58NO. DRAWN: CHK: APPR:	E57NO. DRAWN: CHK: APPR:	E56NO. DRAWN: CHK: APPR:	E55NO. DRAWN: CHK: APPR:	E54NO. DRAWN: CHK: APPR:	E53NO. DRAWN: CHK: APPR:	E52NO. DRAWN: CHK: APPR:	E51NO. DRAWN: CHK: APPR:	E50NO. DRAWN: CHK: APPR:	E49NO. DRAWN: CHK: APPR:	E48NO. DRAWN: CHK: APPR:	E47NO. DRAWN: CHK: APPR:	E46NO. DRAWN: CHK: APPR:	E45NO. DRAWN: CHK: APPR:	E44NO. DRAWN: CHK: APPR:	E43NO. DRAWN: CHK: APPR:	E42NO. DRAWN: CHK: APPR:	E41NO. DRAWN: CHK: APPR:	E40NO. DRAWN: CHK: APPR:	E39NO. DRAWN: CHK: APPR:	E38NO. DRAWN: CHK: APPR:	E37NO. DRAWN: CHK: APPR:	E36NO. DRAWN: CHK: APPR:	E35NO. DRAWN: CHK: APPR:	E34NO. DRAWN: CHK: APPR:	E33NO. DRAWN: CHK: APPR:	E32NO. DRAWN: CHK: APPR:	E31NO. DRAWN: CHK: APPR:	E30NO. DRAWN: CHK: APPR:	E29NO. DRAWN: CHK: APPR:	E28NO. DRAWN: CHK: APPR:	E27NO. DRAWN: CHK: APPR:	E26NO. DRAWN: CHK: APPR:	E25NO. DRAWN: CHK: APPR:	E24NO. DRAWN: CHK: APPR:	E23NO. DRAWN: CHK: APPR:	E22NO. DRAWN: CHK: APPR:	E21NO. DRAWN: CHK: APPR:	E20NO. DRAWN: CHK: APPR:	E19NO. DRAWN: CHK: APPR:	E18NO. DRAWN: CHK: APPR:	E17NO. DRAWN: CHK: APPR:	E16NO. DRAWN: CHK: APPR:	E15NO. DRAWN: CHK: APPR:	E14NO. DRAWN: CHK: APPR:	E13NO. DRAWN: CHK: APPR:	E12NO. DRAWN: CHK: APPR:	E11NO. DRAWN: CHK: APPR:	E10NO. DRAWN: CHK: APPR:	E9NO. DRAWN: CHK: APPR:	E8NO. DRAWN: CHK: APPR:	E7NO. DRAWN: CHK: APPR:	E6NO. DRAWN: CHK: APPR:	E5NO. DRAWN: CHK: APPR:	E4NO. DRAWN: CHK: APPR:	E3NO. DRAWN: CHK: APPR:	E2NO. DRAWN: CHK: APPR:	E1NO. DRAWN: CHK: APPR:	DIMENSIONS: mm INCH mm INCH mm ONLY	SHT REV	REV REVISE ON CAD ONLY																																																																																						
																																																																																						GENERAL TOLERANCES: (UNLESS SPECIFIED) 一般公差	SCALE —	DESIGN UNITS mm INCH	PROJECTION ANGLE	TITLE: 1.25 FPC Conn Assy ZIF	MATERIAL NO. 39-51-3**3	DRAWING NO. SD-5597-004	SHEET NO. 2 OF 2																																																																														
MATERIAL 材料 SEE SHEET I		FINISH 仕上り SEE SHEET I		WIRE RANGE 適用電線範囲 —		INS. RANGE 被覆外径 —		DRAWN BY & DATE K.TOJO '03/04/15		CHECKED BY & DATE H. Saito '03/04/17		APPROVED BY & DATE H. Saito '03/04/17		CAD FILENAME SD-5597-004.S02		MATERIAL NO. 39-51-3**3		DRAWING NO. SD-5597-004		SHEET NO. 2 OF 2		SIZE B																																																																																																																																																					
REVISIONS 改訂履歴		DESCRIPTION		GENERAL TOLERANCES: (UNLESS SPECIFIED) 一般公差		SCALE —		DESIGN UNITS mm INCH		PROJECTION ANGLE		TITLE: 1.25 FPC Conn Assy ZIF		MATERIAL NO. 39-51-3**3		DRAWING NO. SD-5597-004		SHEET NO. 2 OF 2		SIZE B																																																																																																																																																							
E83NO. DRAWN: CHK: APPR:		E82NO. DRAWN: CHK: APPR:		E81NO. DRAWN: CHK: APPR:		E80NO. DRAWN: CHK: APPR:		E79NO. DRAWN: CHK: APPR:		E78NO. DRAWN: CHK: APPR:		E77NO. DRAWN: CHK: APPR:		E76NO. DRAWN: CHK: APPR:		E75NO. DRAWN: CHK: APPR:		E74NO. DRAWN: CHK: APPR:		E73NO. DRAWN: CHK: APPR:		E72NO. DRAWN: CHK: APPR:		E71NO. DRAWN: CHK: APPR:		E70NO. DRAWN: CHK: APPR:		E69NO. DRAWN: CHK: APPR:		E68NO. DRAWN: CHK: APPR:		E67NO. DRAWN: CHK: APPR:		E66NO. DRAWN: CHK: APPR:		E65NO. DRAWN: CHK: APPR:		E64NO. DRAWN: CHK: APPR:		E63NO. DRAWN: CHK: APPR:		E62NO. DRAWN: CHK: APPR:		E61NO. DRAWN: CHK: APPR:		E60NO. DRAWN: CHK: APPR:		E59NO. DRAWN: CHK: APPR:		E58NO. DRAWN: CHK: APPR:		E57NO. DRAWN: CHK: APPR:		E56NO. DRAWN: CHK: APPR:		E55NO. DRAWN: CHK: APPR:		E54NO. DRAWN: CHK: APPR:		E53NO. DRAWN: CHK: APPR:		E52NO. DRAWN: CHK: APPR:		E51NO. DRAWN: CHK: APPR:		E50NO. DRAWN: CHK: APPR:		E49NO. DRAWN: CHK: APPR:		E48NO. DRAWN: CHK: APPR:		E47NO. DRAWN: CHK: APPR:		E46NO. DRAWN: CHK: APPR:		E45NO. DRAWN: CHK: APPR:		E44NO. DRAWN: CHK: APPR:		E43NO. DRAWN: CHK: APPR:		E42NO. DRAWN: CHK: APPR:		E41NO. DRAWN: CHK: APPR:		E40NO. DRAWN: CHK: APPR:		E39NO. DRAWN: CHK: APPR:		E38NO. DRAWN: CHK: APPR:		E37NO. DRAWN: CHK: APPR:		E36NO. DRAWN: CHK: APPR:		E35NO. DRAWN: CHK: APPR:		E34NO. DRAWN: CHK: APPR:		E33NO. DRAWN: CHK: APPR:		E32NO. DRAWN: CHK: APPR:		E31NO. DRAWN: CHK: APPR:		E30NO. DRAWN: CHK: APPR:		E29NO. DRAWN: CHK: APPR:		E28NO. DRAWN: CHK: APPR:		E27NO. DRAWN: CHK: APPR:		E26NO. DRAWN: CHK: APPR:		E25NO. DRAWN: CHK: APPR:		E24NO. DRAWN: CHK: APPR:		E23NO. DRAWN: CHK: APPR:		E22NO. DRAWN: CHK: APPR:		E21NO. DRAWN: CHK: APPR:		E20NO. DRAWN: CHK: APPR:		E19NO. DRAWN: CHK: APPR:		E18NO. DRAWN: CHK: APPR:		E17NO. DRAWN: CHK: APPR:		E16NO. DRAWN: CHK: APPR:		E15NO. DRAWN: CHK: APPR:		E14NO. DRAWN: CHK: APPR:		E13NO. DRAWN: CHK: APPR:		E12NO. DRAWN: CHK: APPR:		E11NO. DRAWN: CHK: APPR:		E10NO. DRAWN: CHK: APPR:		E9NO. DRAWN: CHK: APPR:		E8NO. DRAWN: CHK: APPR:		E7NO. DRAWN: CHK: APPR:		E6NO. DRAWN: CHK: APPR:		E5NO. DRAWN: CHK: APPR:		E4NO. DRAWN: CHK: APPR:		E3NO. DRAWN: CHK: APPR:		E2NO. DRAWN: CHK: APPR:		E1NO. DRAWN: CHK: APPR:		DIMENSIONS: mm INCH mm ONLY		SHT REV		REV REVISE ON CAD ONLY	