

## **Excellent Integrated System Limited**

Stocking Distributor

Click to view price, real time Inventory, Delivery & Lifecycle Information:

[Molex Connector Corporation](#)  
[0731055003](#)

For any questions, you can email us directly:  
[sales@integrated-circuit.com](mailto:sales@integrated-circuit.com)

MATERIALS AND FINISHES:

BODY, OUTER CONTACT, RETAINING WASHER,  
AND FERRULE: BRASS  
PLATED NICKEL

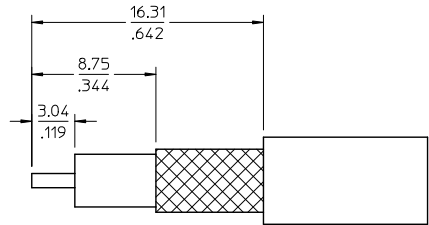
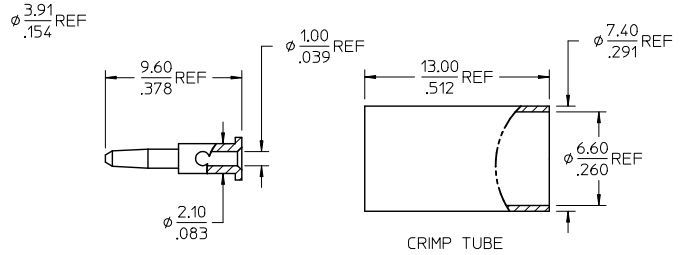
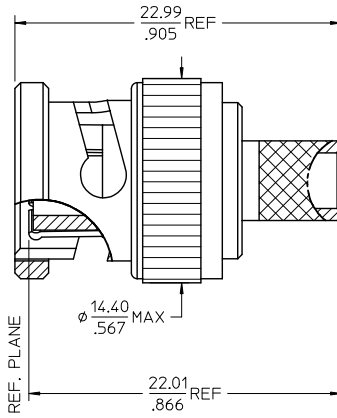
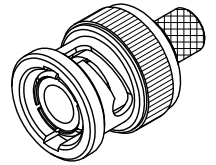
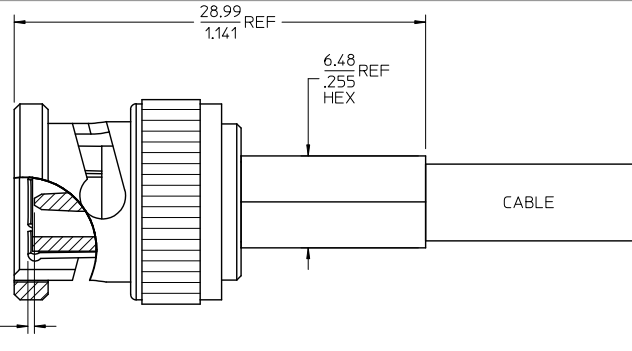
COUPLING NUT; ZINC ALLOY  
PLATED NICKEL

CENTER CONTACT: BRASS  
PLATED GOLD

SPRING WASHER: BERYLLIUM COPPER  
PLATED NICKEL

INSULATOR: POLYPROPYLENE

GASKET: SILICONE RUBBER



PART # 73105-5003  
PACKAGED INDIVIDUALLY

PS-89675-1030	PRODUCT SPEC.
SPECIFICATION	DESCRIPTION

RECOMMENDED CABLE STRIP

CHG: ADDED CABLE STRIP AND INTERFACE CUTAWAY DELETE AS PS WAS PS-73598-0024 EC NO: URF2014-0056 2013/07/24 DRAWN: JWIENER CHKD: SSS 2013/07/24 APPR: JWIENER 2013/07/29 C2 REV	QUALITY SYMBOLS	GENERAL TOLERANCES (UNLESS SPECIFIED)	DIMENSION STYLE	SCALE	DESIGN UNITS	THIRD ANGLE PROJECTION	
	▽=0 ▽=0	mm INCH 4 PLACES ± --- ± --- 3 PLACES ± --- ± --- 2 PLACES ± --- ± --- 1 PLACE ± --- ± --- ANGULAR ± 2 °	MM/IN	METRIC	DRAWN BY: IRIS WANG 1991/01/18 CHECKED BY: DATE APPROVED BY: DATE	TITLE: BNC PLUG, STRAIGHT, CRIMP/CRIMP NON CAPTIVE RG59B/U, RG62A/U MOLEX INCORPORATED	SHEET NO. 1 OF 1
	DRAFT WHERE APPLICABLE MUST REMAIN WITHIN DIMENSIONS	MATERIAL NO. 731055003	DOCUMENT NO. SD-73105-5003	THIS DRAWING CONTAINS INFORMATION THAT IS PROPRIETARY TO MOLEX INCORPORATED AND SHOULD NOT BE USED WITHOUT WRITTEN PERMISSION			