

Excellent Integrated System Limited

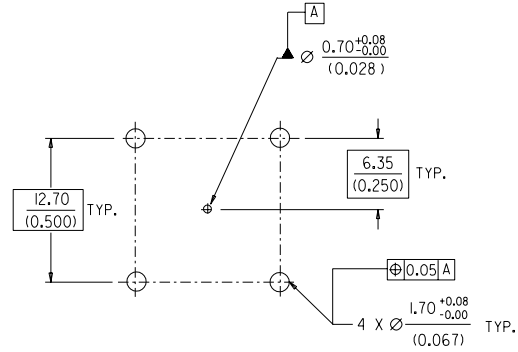
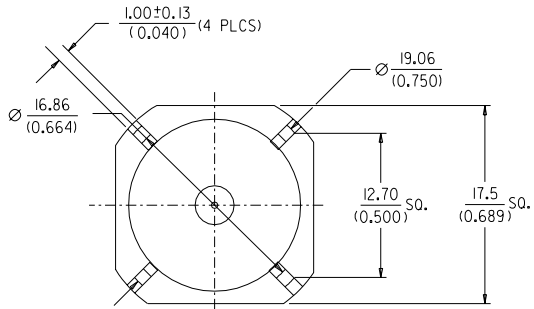
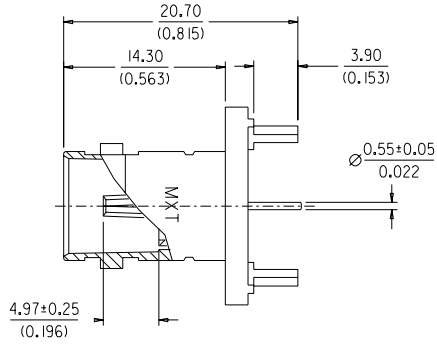
Stocking Distributor

Click to view price, real time Inventory, Delivery & Lifecycle Information:

[Molex Connector Corporation](#)
[0731337003](#)

For any questions, you can email us directly:

sales@integrated-circuit.com



RECOMMENDED PCB HOLE CONFIGURATION

CONSTRUCTION:
CONNECTOR BODY -----BRASS
DIELECTRIC -----TEFLON
CENTER CONDUCTOR -----PHOSPHOR BRONZE

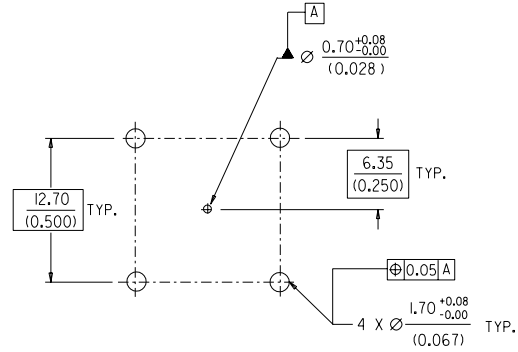
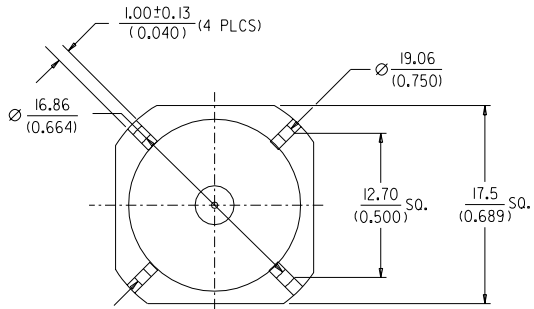
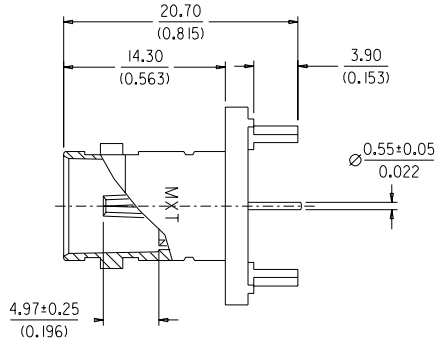
FINISH:
CONNECTOR BODY -----NICKEL PLATING
CENTER CONDUCTOR -----GOLD PLATING (10u")

MECHANICAL & ELECTRICAL CHARACTERISTICS:
PER PRODUCT SPECIFICATION PS-73598-0062

PACKAGING:
PLASTIC TRAYS

				MATERIAL : SEE NOTE		MOLEX TAIWAN LTD. (R.F. DIVISION)
				FINISH : SEE NOTE		
				SCALE : 3:1	UNIT : mm(INCH)	GENERAL TOLERANCES ANGLE : ± 3° DIM. ± 0.25 (±.01)
B	R. T. W.	0919	Jason	97/03/20	DRAWN BY : JOE	
A2	ADD INTERFACE DIM.	0932	Jason	97/02/15	CHK'D BY :	TITLE : 75 OHM BNC(J) STRAIGHT PCB RECEPTACLE
AT	TOOLING RELEASE	0863	Joe	96/08/13	APPR'D BY :	
LTR	REVISION RECORD	ECN	DR	DATE		
STANDARD ITEM				<input type="checkbox"/> YES	<input checked="" type="checkbox"/> NO	SHEET 1 OF 1

ENG. NO.
EDP NO.
SIMILAR ITEM
CADFILE NO.
DO NOT SCALE DRAWING



RECOMMENDED PCB HOLE CONFIGURATION

CONSTRUCTION:
 CONNECTOR BODY -----BRASS
 DIELECTRIC -----TEFLON
 CENTER CONDUCTOR -----PHOSPHOR BRONZE

FINISH:
 CONNECTOR BODY -----NICKEL PLATING
 CENTER CONDUCTOR -----GOLD PLATING (10u")

MECHANICAL & ELECTRICAL CHARACTERISTICS:
 PER PRODUCT SPECIFICATION PS-73598-0062

PACKAGING:
 PLASTIC TRAYS

				MATERIAL : SEE NOTE		MOLEX TAIWAN LTD. (R.F. DIVISION)
				FINISH : SEE NOTE		
				SCALE : 3:1	UNIT : mm(INCH)	
B	R. I. M.	0919	Jason	97/03/20	DRAWN BY : JOE	GENERAL TOLERANCES
A2	ADD INTERFACE DIM.	0932	Jason	97/02/15	CHK'D BY :	ANGLE : ± 3° DIM. ± 0.25 (+.01)
AT	TOOLING RELEASE	0863	Joe	96/08/13	APPR'D BY :	DRW. NO. : SDA-73133-7003 REV B
LTR	REVISION RECORD	ECN	DR	DATE		TITLE : 75 OHM BNC(J) STRAIGHT PCB RECEPTACLE
STANDARD ITEM				<input type="checkbox"/> YES	<input checked="" type="checkbox"/> NO	SHEET 1 OF 1

ENG. NO.
EDP NO.
SIMILAR ITEM
CADFILE NO.
DO NOT SCALE DRAWING