

Excellent Integrated System Limited

Stocking Distributor

Click to view price, real time Inventory, Delivery & Lifecycle Information:

[Molex Connector Corporation](#)
[0732045213](#)

For any questions, you can email us directly:

sales@integrated-circuit.com

13 12 11 10 9 8 7 6 5 4 3 2 1

MATERIALS AND FINISHES

BODY, CAP BRASS
PLATED NICKEL

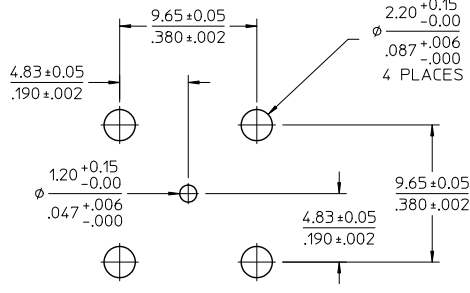
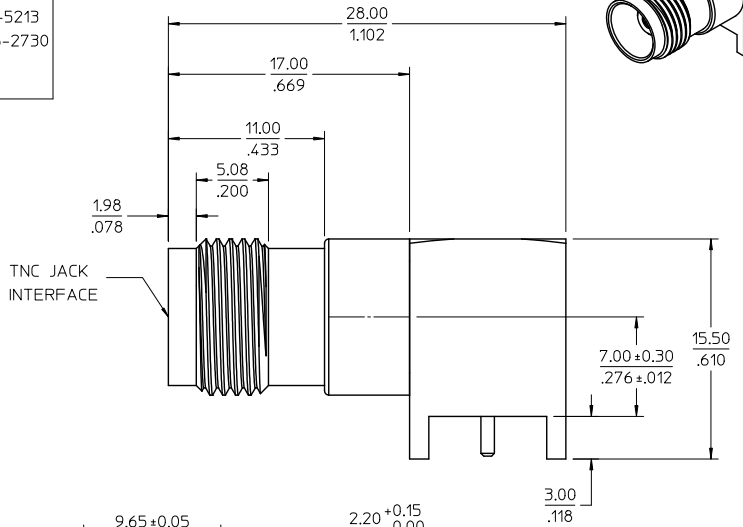
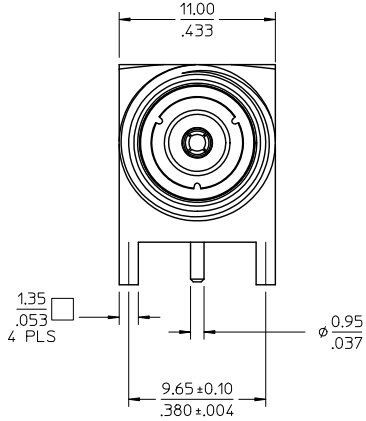
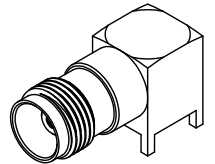
CENTER CONTACT PHOSPHOR BRONZE
PLATED GOLD

REAR CONTACT BRASS
PLATED GOLD

INSULATOR TEFLON

LABEL FORMAT FOR
73216-2730

PART NUMBER: 73204-5213
ORDER NUMBER: 73216-2730
MOLEX
DATE: YYWW



RECOMMENDED PCB LAYOUT

ORIGINAL DRAWN BY: IRIS WANG 1991/12/17

73216-2730	SINGLE BAG
73204-5213	TRAY OR BULK
PART NO.	PACKAGING

PS-89675-140	PRODUCT SPECIFICATION
MIL-STD-348A, FIG. 313.2	INTERFACE
SPECIFICATION	DESCRIPTION

CHG: ADD LABEL FORMAT	EC NO: URF2012-0380 DRAWN BY: DRWINGOMALLEY 2012/01/04 CHKD BY: CHKCHAZR 2012/01/04 APPR: JWENER 2012/01/04	QUALITY SYMBOLS ▽=0	GENERAL TOLERANCES (UNLESS SPECIFIED)		DIMENSION STYLE		SCALE	DESIGN UNITS	THIRD ANGLE PROJECTION
			mm	INCH	MM/IN	METRIC			
H2	REV	DESCRIPTION	4 PLACES ± --- ± ---	DRAWN BY: SSHAH	DATE: 2011/04/25	TITLE: TNC JACK RA PCB 50 OHMS RECEPTACLE EWR-4692 TNC-J/RA/PCB			
			3 PLACES ± --- ± ---	CHECKED BY: DENG	DATE: 1991/12/17				
			2 PLACES ± --- ± ---	APPROVED BY: JWENER	DATE: 2011/04/29	MOLEX INCORPORATED			
			1 PLACE ± --- ± ---	MATERIAL NO. DOCUMENT NO.		SD-73204-5213			
DRAFT WHERE APPLICABLE MUST REMAIN WITHIN DIMENSIONS			SEE TABLE		SHEET NO. 1 OF 1		THIS DRAWING CONTAINS INFORMATION THAT IS PROPRIETARY TO MOLEX INCORPORATED AND SHOULD NOT BE USED WITHOUT WRITTEN PERMISSION		

ib_frame_C_P_AM_T Rev. E 2006/04/15 12 11 10 9 8 7 6 5 4 3 2 1

MATERIALS AND FINISHES

SEE SD-73204-5213

P/N: 73216-2730

1 PIECE 73204-5213 PLACED IN A SINGLE BAG

LABEL FORMAT FOR
73216-2730

PART NUMBER: 73204-5213
ORDER NUMBER: 73216-2730
MOLEX
DATE: YYWW

73216-2730	ONE PC 73204-5213 IN BAG
73204-5213	TRAY
PART NO.	PACKAGING

PS-89675-140	PRODUCT SPECIFICATION
MIL-STD-348A, FIG. 313.2	INTERFACE
SPECIFICATION	DESCRIPTION

CHG: ADD LABEL FORMAT	EC NO: URF2012-0380 DRAWN BY: 2812/01/04 CHKD BY: 2812/01/04 APPR: JWIENER 2812/01/04	QUALITY SYMBOLS ▽=0 ▽=0	GENERAL TOLERANCES (UNLESS SPECIFIED)		DIMENSION STYLE MM/IN		SCALE	DESIGN UNITS METRIC	THIRD ANGLE PROJECTION
			mm	INCH	DRAWN BY SSHAN	DATE 2011/04/29	TITLE TNC JACK RA PCB 50 OHMS RECEPTACLE EWR-4692 TNC-J/RA/PCB		
A1	REV	DESCRIPTION	4 PLACES ±	±	CHECKED BY AROBERTSON	DATE 2011/04/29	MOLEX INCORPORATED		SHEET NO. 1 OF 1
			3 PLACES ±	±	APPROVED BY JWIENER	DATE 2011/04/29	DOCUMENT NO. SD-73216-273		
DRAFT WHERE APPLICABLE MUST REMAIN WITHIN DIMENSIONS			ANGULAR ± 2 °		SEE TABLE		THIS DRAWING CONTAINS INFORMATION THAT IS PROPRIETARY TO MOLEX INCORPORATED AND SHOULD NOT BE USED WITHOUT WRITTEN PERMISSION		