

## Excellent Integrated System Limited

Stocking Distributor

Click to view price, real time Inventory, Delivery & Lifecycle Information:

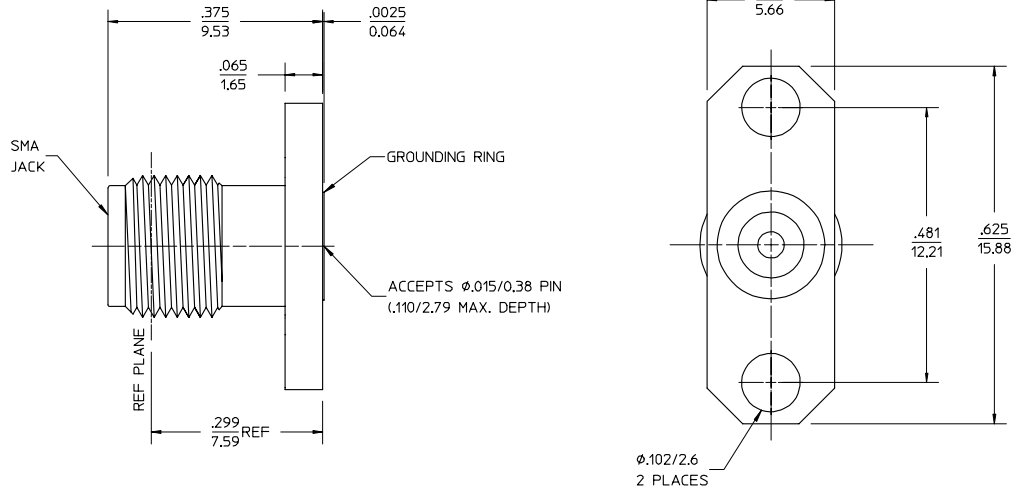
[Molex Connector Corporation](#)  
[0732510940](#)

For any questions, you can email us directly:

[sales@integrated-circuit.com](mailto:sales@integrated-circuit.com)

SD-73251-094

MATERIALS AND FINISHES:  
 BODY STAINLESS STEEL  
 PASSIVATED  
  
 CENTER CONTACT BERYLLIUM COPPER  
 PLATED GOLD  
  
 INSULATOR TEFLON



PART # 73251-0940

MIL-STD-348, FIGURE 310-2	INTERFACE
PS-89675-2910	ELECTRO/MECH PERFORMANCE
SPECIFICATION	DESCRIPTION

CHG: NEW RELEASE EC NO. URF-0233 DRWN: TEF 06/21/99 CHK: DHG 06/21/99 APPR: GMH 06/21/99	REV DESCRIPTION A	UNLESS OTHERWISE SPECIFIED DIMS ARE INCHES AND ANGLES ARE DEGREES. 1. ✓ 63 ALL OVER. 2. NO CHATTER OR NON-UNIFORM SURFACE FINISH ALLOWED. 3. PARTS TO BE FREE OF BURRS & SHARP EDGES .005 MAX BREAK. 4. EXTERNAL THREADS TO BE ROLLED OR SINGLE POINT. 5. DIAMETERS TO BE CONCENTRIC WITHIN .003 TIR.	QUALITY SYMBOLS MAJOR CRITICAL	GENERAL TOLERANCES: (UNLESS SPECIFIED) mm INCH 4 PLACES ± .0005 3 PLACES ± .005 2 PLACES ± .01 1 PLACE ± .1		SCALE DRAWN BY & DATE EDC 02/19/99 CHECKED BY & DATE DHG 02/19/99 APPROVED BY & DATE GMH 02/19/99 CAD FILENAME	DESIGN UNITS <input type="checkbox"/> mm <input checked="" type="checkbox"/> INCH THRD ANGLE PROJECTION <input type="checkbox"/> mm <input checked="" type="checkbox"/> INCH <input type="checkbox"/> mm ONLY	DIMENSIONS: <input type="checkbox"/> mm <input checked="" type="checkbox"/> INCH <input type="checkbox"/> mm ONLY	TITLE: SMA JACK, RECEPTACLE, 2 HOLE FLANGE MOUNT, ACCEPTS .015 DIA PIN SMA-JR/F	MOLEX INCORPORATED MATERIAL NO. SEE NOTE DRAWING NO. SD-73251-094	SHEET NO. 1 of 1	REVISE ON CAD ONLY
				DRAFT WHERE APPLICABLE MUST REMAIN WITHIN DIMENSIONS	THIS DRAWING CONTAINS INFORMATION THAT IS PROPRIETARY TO MOLEX INCORPORATED AND SHOULD NOT BE USED WITHOUT WRITTEN PERMISSION.						SIZE B	

UBORD.DGN REV A  
 96/06/12 LEVEL 4