

Excellent Integrated System Limited

Stocking Distributor

Click to view price, real time Inventory, Delivery & Lifecycle Information:

[Molex Connector Corporation](#)
[0732510960](#)

For any questions, you can email us directly:

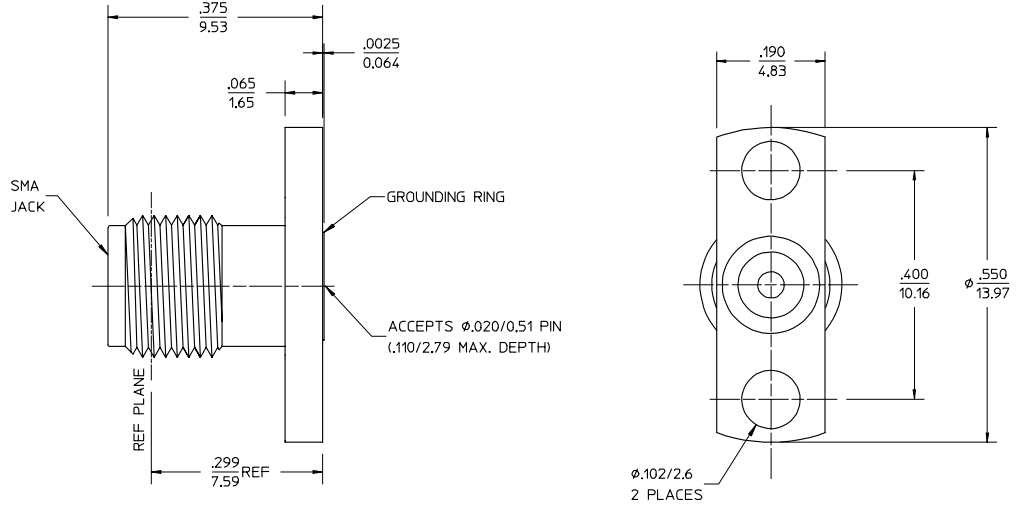
sales@integrated-circuit.com

SD-73251-096

MATERIALS AND FINISHES:
 BODY STAINLESS STEEL
 PASSIVATED

 CENTER CONTACT BERYLLIUM COPPER
 PLATED GOLD

 INSULATOR TEFLON



PART # 73251-0960

MIL-STD-348, FIGURE 310-2	INTERFACE
PS-89675-2910	ELECTRO/MECH PERFORMANCE
SPECIFICATION	DESCRIPTION

CHG: NEW RELEASE EC NO: URF-0233 DRWN: TEF 06/21/99 CHK: DHG 06/21/99 APPR: GMH 06/21/99	REV DESCRIPTION A	UNLESS OTHERWISE SPECIFIED DIMS ARE INCHES AND ANGLES ARE DEGREES. 1. ✓ 63 ALL OVER. 2. NO CHATTER OR NON-UNIFORM SURFACE FINISH ALLOWED. 3. PARTS TO BE FREE OF BURRS & SHARP EDGES .005 MAX BREAK. 4. EXTERNAL THREADS TO BE ROLLED OR SINGLE POINT. 5. DIAMETERS TO BE CONCENTRIC WITHIN .003 TIR.	QUALITY SYMBOLS MAJOR CRITICAL	GENERAL TOLERANCES: (UNLESS SPECIFIED) 4 PLACES ± .0005 3 PLACES ± .005 2 PLACES ± .01 1 PLACE ± .1	SCALE: _____ DESIGN UNITS: <input type="checkbox"/> mm <input checked="" type="checkbox"/> INCH THRD ANGLE PROJECTION: <input type="checkbox"/> mm <input checked="" type="checkbox"/> INCH <input type="checkbox"/> mm ONLY	DRAWN BY & DATE: EDC 02/19/99 CHECKED BY & DATE: DHG 02/19/99 APPROVED BY & DATE: GMH 02/19/99 CAD FILENAME: _____ MATERIAL NO.: SEE NOTE DRAWING NO.: SD-73251-096	TITLE: SMA JACK, RECEPTACLE, 2 HOLE FLANGE MOUNT, ACCEPTS .020 DIA PIN SMA-JR/F MOLEX INCORPORATED	DIMENSIONS: <input type="checkbox"/> mm <input checked="" type="checkbox"/> INCH <input type="checkbox"/> mm ONLY SHT: 1 REV: A SHEET NO.: 1 of 1 SIZE: B
				DRAFT WHERE APPLICABLE MUST REMAIN WITHIN DIMENSIONS	THIS DRAWING CONTAINS INFORMATION THAT IS PROPRIETARY TO MOLEX INCORPORATED AND SHOULD NOT BE USED WITHOUT WRITTEN PERMISSION.			

UBORD.DGN REV A
 96/06/12 LEVEL 4