

Excellent Integrated System Limited

Stocking Distributor

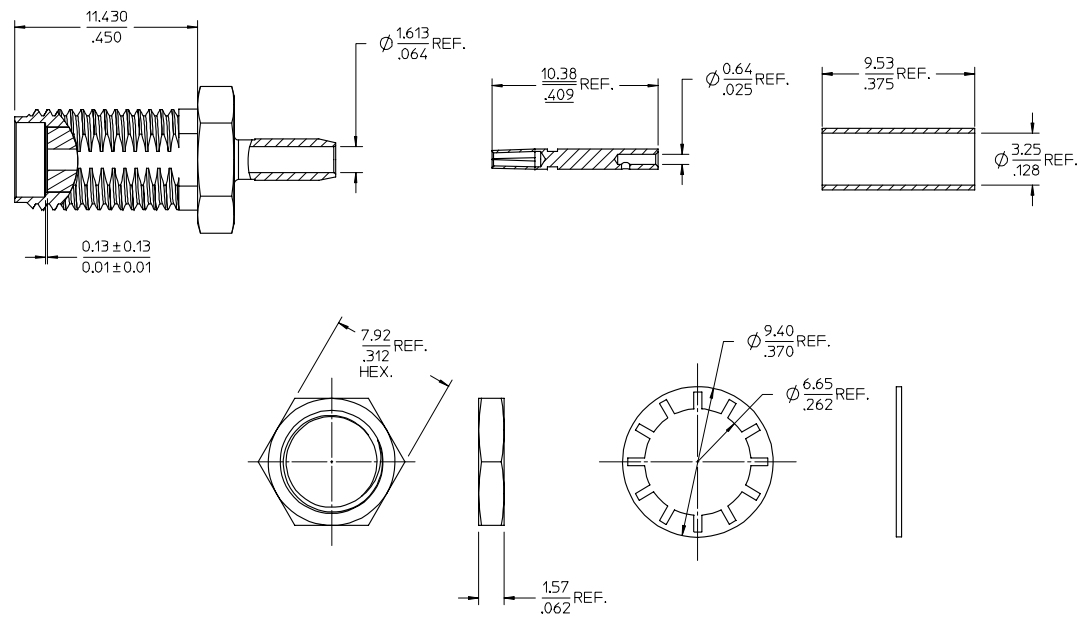
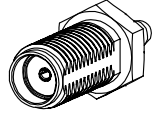
Click to view price, real time Inventory, Delivery & Lifecycle Information:

[Molex Connector Corporation](#)
[0732511960](#)

For any questions, you can email us directly:
sales@integrated-circuit.com

MATERIALS AND FINISHES

- J BODY STAINLESS STEEL
PLATED PASSIVATED
- I CENTER CONTACT BERYLLIUM COPPER
PLATED GOLD
- H INSULATOR TEFLON
- G CRIMP TUBE BRASS
PLATED NICKEL
- F JAM NUT STAINLESS STEEL
PLATED PASSIVATED
- E LOCK WASHER PHOSPHOR BRONZE
PLATED NICKEL



PART # 73251-1960

AS-89678-8940	CABLE ASSY. INSTRUCTION
PS-89675-1170	ELECTRO./MECH PERFORMANCE
MIL-STD-348A, FIG. 310-2	INTERFACE
SPECIFICATION	DESCRIPTION

73251-1961	73251-1960 BY TRAY (20 CAV.)
PART NO.	PACKAGING

ADDED P/IN/73251-1960 EC NO: URF-2007-0497 DRW/IN/ELIN 2007/06/15 CHK/D: 2007/06/17 APPR/CHK/IN/ANG 2007/06/17 DESCRIPTION REV	QUALITY SYMBOLS	GENERAL TOLERANCES (UNLESS SPECIFIED)	DIMENSION STYLE	SCALE	DESIGN UNITS	THIRD ANGLE PROJECTION																	
	$\nabla=0$ $\sphericalangle=0$	<table border="1"> <tr> <th></th> <th>mm</th> <th>INCH</th> </tr> <tr> <td>4 PLACES</td> <td>± .15</td> <td>± .005</td> </tr> <tr> <td>3 PLACES</td> <td>± .25</td> <td>± .010</td> </tr> <tr> <td>2 PLACES</td> <td>± .38</td> <td>± .015</td> </tr> <tr> <td>1 PLACE</td> <td>± .51</td> <td>± .020</td> </tr> </table>		mm	INCH	4 PLACES	± .15	± .005	3 PLACES	± .25	± .010	2 PLACES	± .38	± .015	1 PLACE	± .51	± .020	MM/IN		METRIC	<input checked="" type="checkbox"/> THIRD ANGLE <input type="checkbox"/> FIRST ANGLE		
		mm	INCH																				
	4 PLACES	± .15	± .005																				
3 PLACES	± .25	± .010																					
2 PLACES	± .38	± .015																					
1 PLACE	± .51	± .020																					
	<table border="1"> <tr> <th>DRAWN BY</th> <th>DATE</th> <th>TITLE</th> </tr> <tr> <td></td> <td>2002/9/13</td> <td>SMA JACK BULKHEAD FOR RG316/RG174/RG188 SMA-JC</td> </tr> <tr> <th>CHECKED BY</th> <th>DATE</th> <th></th> </tr> <tr> <td></td> <td>2002/9/13</td> <td></td> </tr> <tr> <th>APPROVED BY</th> <th>DATE</th> <th></th> </tr> <tr> <td></td> <td>2002/9/13</td> <td></td> </tr> </table>	DRAWN BY	DATE	TITLE		2002/9/13	SMA JACK BULKHEAD FOR RG316/RG174/RG188 SMA-JC	CHECKED BY	DATE			2002/9/13		APPROVED BY	DATE			2002/9/13					
DRAWN BY	DATE	TITLE																					
	2002/9/13	SMA JACK BULKHEAD FOR RG316/RG174/RG188 SMA-JC																					
CHECKED BY	DATE																						
	2002/9/13																						
APPROVED BY	DATE																						
	2002/9/13																						
		ANGULAR ± 2 °																					
		DRAFT WHERE APPLICABLE MUST REMAIN WITHIN DIMENSIONS	SEE TABLE		SD-73251-196	SHEET NO. 1 OF 1																	
			SIZE C	THIS DRAWING CONTAINS INFORMATION THAT IS PROPRIETARY TO MOLEX INCORPORATED AND SHOULD NOT BE USED WITHOUT WRITTEN PERMISSION																			