

Excellent Integrated System Limited

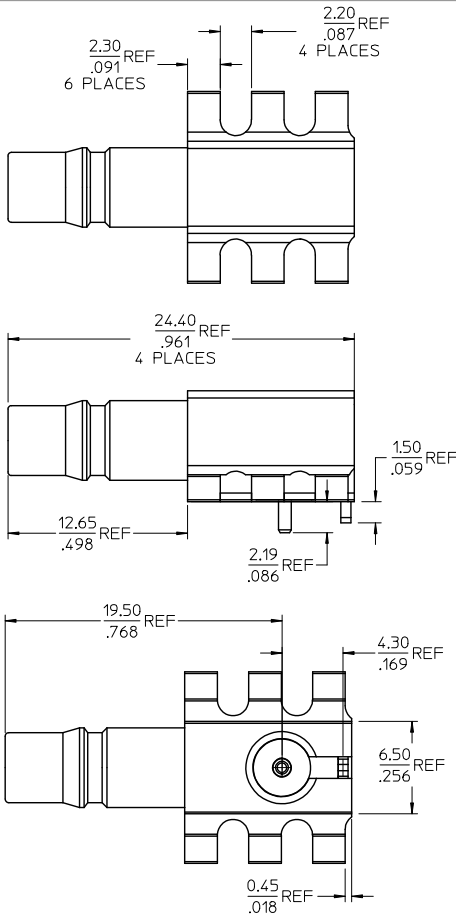
Stocking Distributor

Click to view price, real time Inventory, Delivery & Lifecycle Information:

[Molex Connector Corporation](#)
[0732540020](#)

For any questions, you can email us directly:

sales@integrated-circuit.com

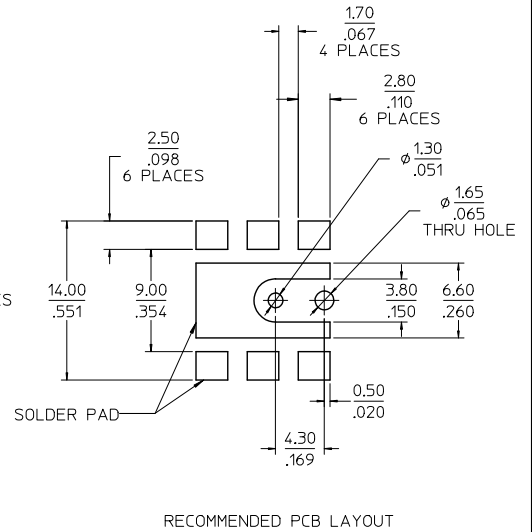
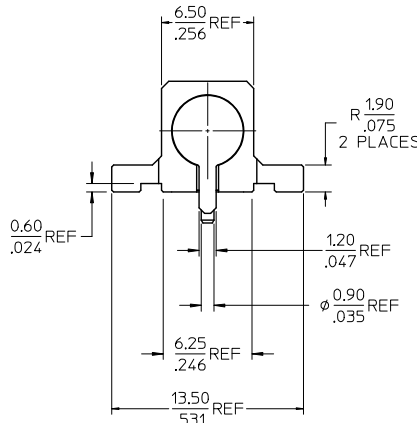
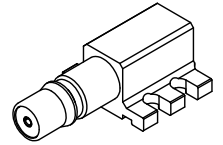


MATERIALS AND FINISHES:

BODY, CAP: BRASS
PLATED GOLD

INSULATOR: TEFLON

CENTER CONTACT: BERYLLIUM COPPER
PLATED GOLD



73254-0021	P/N 73254-0020 ONE PER BAG
73254-0020	TRAY
PART NO.	DESCRIPTION

CHG: UPDATE PACKAGING FOR -0020 PER RF15-E231 EC NO: URF-2015-0690 DRAWN BY: JDRW/REH CHKD: JAPPY/LEENG APPR: JDRW/REH REV: B3	DESCRIPTION: 2015/06/05	QUALITY SYMBOLS	GENERAL TOLERANCES (UNLESS SPECIFIED)	DIMENSION STYLE	SCALE	DESIGN UNITS	THIRD ANGLE PROJECTION
		mm	INCH	MM/IN	5:1	METRIC	
		4 PLACES ±	±	TEF	2003/03/17	QMA JACK, R/A PCB EWR-1960, 50 OHMS QMA-J/PCB	
		3 PLACES ±	±	CHECKED BY	DATE		
		2 PLACES ±	±	SSS	2003/03/17		
		1 PLACE ±	±	APPROVED BY	DATE		
		0 PLACE ±	±	GMH	2003/03/17	MATERIAL NO.	DOCUMENT NO.
		ANGULAR ± 2 °		SEE TABLE		SD-73254-002	SHEET NO.
		DRAFT WHERE APPLICABLE MUST REMAIN WITHIN DIMENSIONS		THIS DRAWING CONTAINS INFORMATION THAT IS PROPRIETARY TO MOLEX INCORPORATED AND SHOULD NOT BE USED WITHOUT WRITTEN PERMISSION			