

## Excellent Integrated System Limited

Stocking Distributor

Click to view price, real time Inventory, Delivery & Lifecycle Information:

[Molex Connector Corporation](#)  
[0733560190](#)

For any questions, you can email us directly:

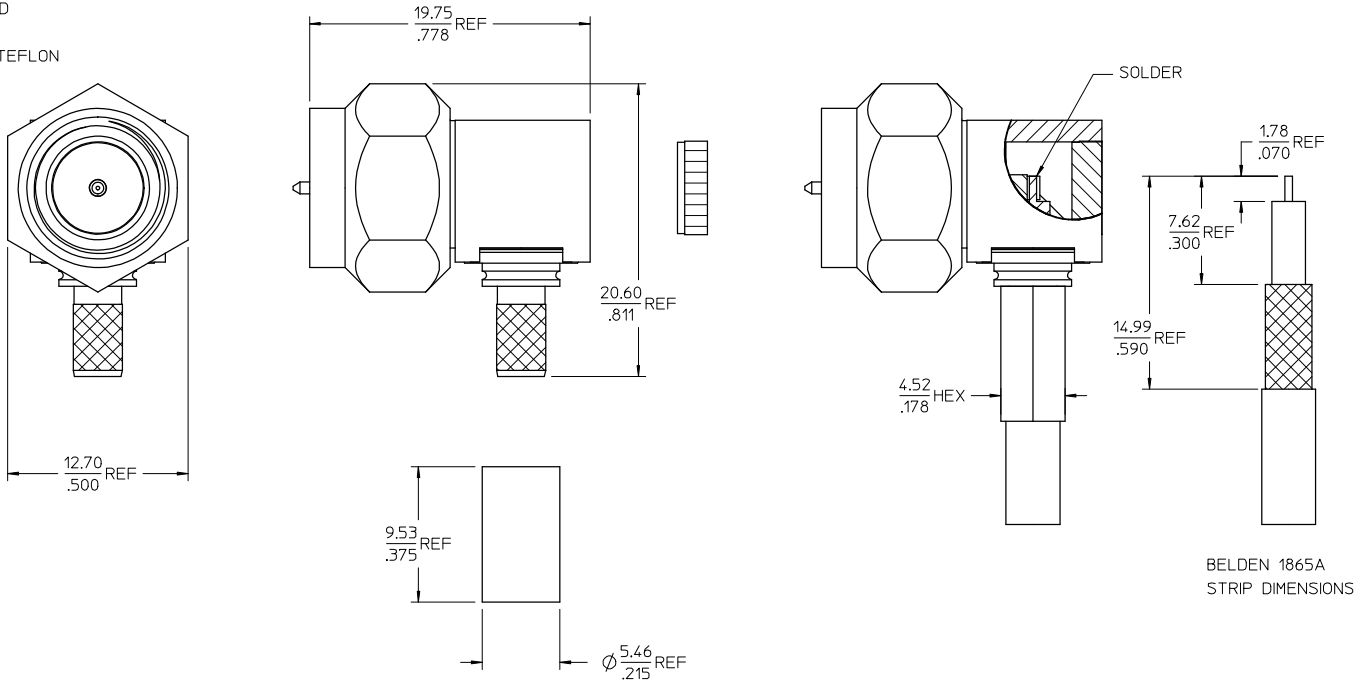
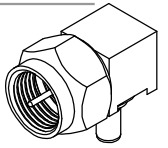
[sales@integrated-circuit.com](mailto:sales@integrated-circuit.com)

MATERIALS AND FINISHES

BODY, CRIMP TUBE, COUPLING NUT, CAP: BRASS  
PLATED NICKEL

CONTACT: BRASS  
PLATED GOLD

INSULATOR: TEFLON



PART # 73356-0190

PS-89675-0910	ELEC/MECH PERFORMANCE
SPECIFICATION	DESCRIPTION

CHG: UPDATED VIEW OF REVISED REAR BODY EC NO: URF2008-0591 DRAWN: ARBERTSON 2008/05/15 CHKD: SSS 2008/05/15 APPR: JMEINER 2008/05/15 A1	QUALITY SYMBOLS	GENERAL TOLERANCES (UNLESS SPECIFIED)	DIMENSION STYLE	SCALE	DESIGN UNITS	THIRD ANGLE PROJECTION	
	▽=0 ▽=0	mm INCH 4 PLACES ± --- ± --- 3 PLACES ± --- ± --- 2 PLACES ± --- ± --- 1 PLACE ± --- ± --- ANGULAR ± 2 °	MM/IN DRAWN BY DATE SSS 2000/08/07 CHECKED BY DATE TEF 2000/08/07 APPROVED BY DATE GMH 2000/08/07	TITLE F PLUG RA BELDEN 1865A 75 OHM F-PC, EWR-1071	METRIC	MOLEX INCORPORATED	SHEET NO. 1 OF 1
	DRAFT WHERE APPLICABLE MUST REMAIN WITHIN DIMENSIONS	MATERIAL NO.	DOCUMENT NO.	THIS DRAWING CONTAINS INFORMATION THAT IS PROPRIETARY TO MOLEX INCORPORATED AND SHOULD NOT BE USED WITHOUT WRITTEN PERMISSION			
		733560190	SD-73356-019				