

Excellent Integrated System Limited

Stocking Distributor

Click to view price, real time Inventory, Delivery & Lifecycle Information:

[Molex Connector Corporation](#)
[0734040301](#)

For any questions, you can email us directly:

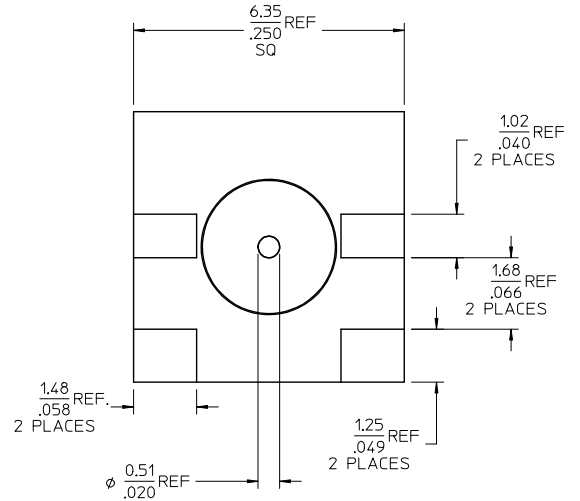
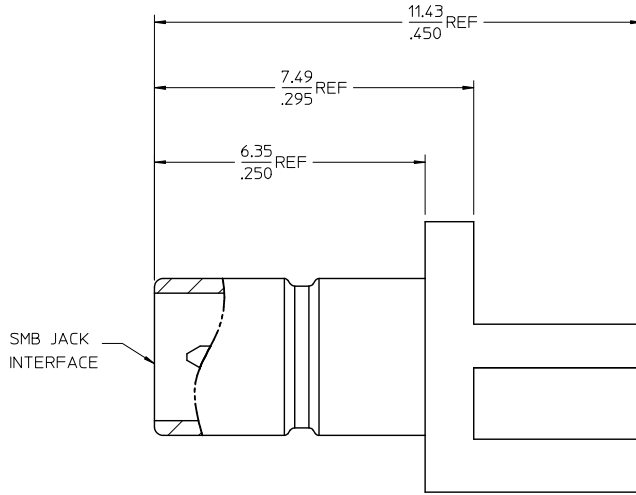
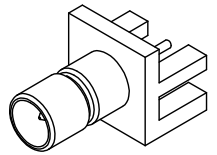
sales@integrated-circuit.com

MATERIALS AND FINISHES:

BODY BRASS
PLATED GOLD (SEE PART NUMBER DESCRIPTION)

CONTACT BRASS
PLATED GOLD (30 MICROINCHES MIN) 73404-0300
PLATED GOLD (20 MICROINCHES MIN) 73404-0301

INSULATOR TEFLON



ES-89675-3040	INTERFACE
PS-89675-2000	ELECTRO/MECH PERFORM.
SPECIFICATION	DESCRIPTION

73404-0301	3-5 MICROINCHES MIN.
73404-0300	30 MICROINCHES MIN.
PART NUMBER	BODY GOLD PLATING

ADDED DIM. PER REF-14-E036 EC NO: URF2014-0138 DRAWN BY: DRWMLIN CHKD: APPROV: JANG A2 2013/08/27 2013/09/04 DESCRIPTION	QUALITY SYMBOLS	GENERAL TOLERANCES (UNLESS SPECIFIED)	DIMENSION STYLE	SCALE	DESIGN UNITS	THIRD ANGLE PROJECTION													
	▼=0 √=0	<table border="1"> <thead> <tr> <th></th> <th>mm</th> <th>INCH</th> </tr> </thead> <tbody> <tr> <td>4 PLACES</td> <td>± ---</td> <td>± ---</td> </tr> <tr> <td>3 PLACES</td> <td>± ---</td> <td>± ---</td> </tr> <tr> <td>2 PLACES</td> <td>± ---</td> <td>± ---</td> </tr> <tr> <td>1 PLACE</td> <td>± ---</td> <td>± ---</td> </tr> </tbody> </table> ANGULAR ± 2 °		mm	INCH	4 PLACES	± ---	± ---	3 PLACES	± ---	± ---	2 PLACES	± ---	± ---	1 PLACE	± ---	± ---	DRAWN BY: TEF CHECKED BY: SSS APPROVED BY: GMH DATE: 2000/04/11	TITLE: SMB JACK, 75 OHMS AIR DIELECTRIC, EDGE MOUNT SMB-J/PCB MOLEX INCORPORATED SD-73404-030
	mm	INCH																	
4 PLACES	± ---	± ---																	
3 PLACES	± ---	± ---																	
2 PLACES	± ---	± ---																	
1 PLACE	± ---	± ---																	
DRAFT WHERE APPLICABLE MUST REMAIN WITHIN DIMENSIONS		SEE TABLE	THIS DRAWING CONTAINS INFORMATION THAT IS PROPRIETARY TO MOLEX INCORPORATED AND SHOULD NOT BE USED WITHOUT WRITTEN PERMISSION																