

Excellent Integrated System Limited

Stocking Distributor

Click to view price, real time Inventory, Delivery & Lifecycle Information:

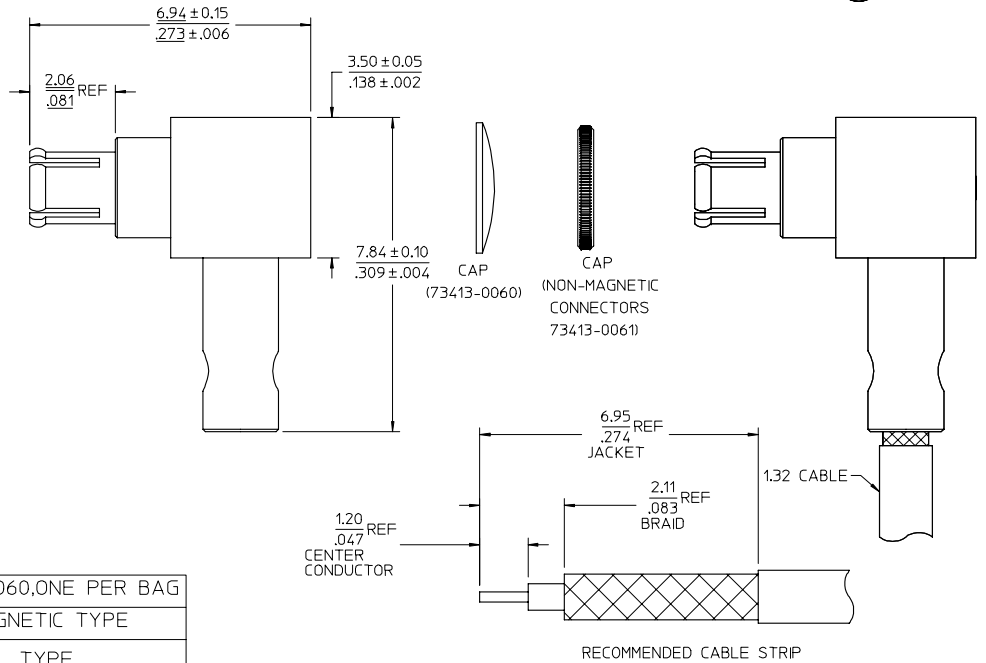
[Molex Connector Corporation](#)
[0734130060](#)

For any questions, you can email us directly:

sales@integrated-circuit.com

MATERIALS AND FINISHES

PART NO.73413-0060	PART NO.73413-0061
HOUSING	HOUSING
BRASS	BERYLLIUM COPPER
PLATED GOLD	PLATED TRI-METAL
CENTER CONTACT	CENTER CONTACT
BRASS	BERYLLIUM COPPER
PLATED GOLD	PLATED GOLD
CAP	CAP
BRASS	BERYLLIUM COPPER
PLATED GOLD	PLATED GOLD
OUTER CONTACT	OUTER CONTACT
BERYLLIUM COPPER	BERYLLIUM COPPER
PLATED GOLD	PLATED GOLD
INSULATOR	INSULATOR
TEFLON	TEFLON



CABLE ASSEMBLY INSTRUCTIONS:

1. STRIP CABLE
2. INSERT CABLE INTO BODY
3. SOLDER CABLE CENTER CONDUCTOR TO CENTER CONTACT
4. SOLDER CABLE TO BODY

73413-0062	73413-0060, ONE PER BAG
73413-0061	NON-MAGNETIC TYPE
73413-0060	GENERAL TYPE
PART NUMBER	DESCRIPTION

CHG: ADDED P/N 73413-0062 IEC NO: IREF2007-0287 DRW: TILAHERY 2007/02/08 CHK: KOSHAH 2007/02/08 APPR: IMIENER 2007/02/08 Description REV: A4	QUALITY SYMBOLS	GENERAL TOLERANCES (UNLESS SPECIFIED)	DIMENSION STYLE	SCALE	DESIGN UNITS	THIRD ANGLE PROJECTION	
	▽=0 ∇=0	mm INCH 4 PLACES ± --- ± --- 3 PLACES ± --- ± --- 2 PLACES ± --- ± --- 1 PLACE ± --- ± --- ANGULAR ± 2 °	MM/IN	METRIC	DRAWN BY: JOHN DATE: 2005/03/30 CHECKED BY: DATE: APPROVED BY: MISEN DATE: 2005/03/30	TITLE: SSMCX PLUG, R/A, 50 OHM FOR 1.32 CABLE SSMCX-PC/RA MOLEX INCORPORATED	SHEET NO. 1 OF 1
	DRAFT WHERE APPLICABLE MUST REMAIN WITHIN DIMENSIONS	MATERIAL NO. SEE TABLE	DOCUMENT NO. SD-73413-006	THIS DRAWING CONTAINS INFORMATION THAT IS PROPRIETARY TO MOLEX INCORPORATED AND SHOULD NOT BE USED WITHOUT WRITTEN PERMISSION			