

Excellent Integrated System Limited

Stocking Distributor

Click to view price, real time Inventory, Delivery & Lifecycle Information:

[Molex Connector Corporation](#)
[0734150970](#)

For any questions, you can email us directly:

sales@integrated-circuit.com

MATERIALS AND FINISHES

BODY BRASS
PLATED GOLD

CENTER CONTACT BRASS
PLATED GOLD

INSULATOR TEFLON

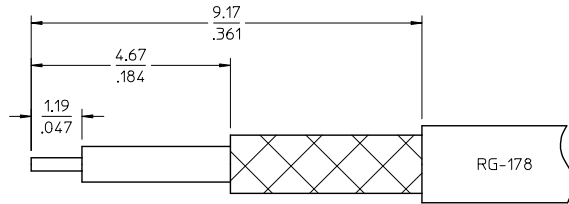
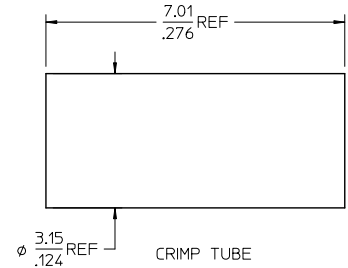
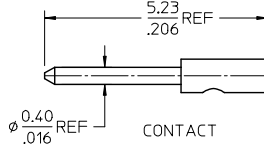
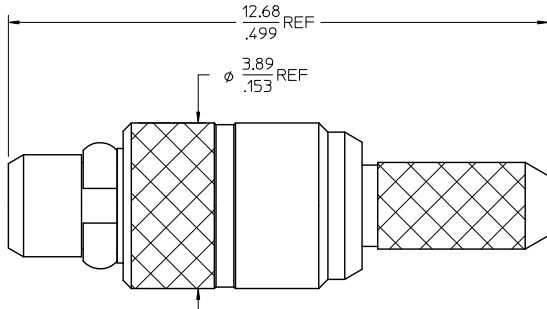
MMCX PLUG
INTERFACE

0.13±0.13
.005±.005

15.32 REF
.603

2.67 HEX
.105

RG178 CABLE



RECOMMENDED CABLE STRIP

CECC 22 340	INTERFACE
PS-89675-1920	ELECTRO/MECH. PERFORM.
SPECIFICATION	DESCRIPTION

73415-0973	GOLD FLASH / PER BAG
73415-0972	P/N 73415-0971, ONE PIECE PER BAG
73415-0971	PER COMMERCIAL REQUIREMENTS, BAG-500 PCS
73415-0970	PER MILITARY REQUIREMENTS, PACKAGING-BULK
PART NO.	PLATING AND PACKAGING

CHG:73415-0971
PACKING UPDATE
BAG 500 PCS WAS
BULK
EWR RF16-E099
EC NO: URF2016-0872
DRAWN: CHENG 2016/06/24
CHKD:
APPR: Y. CHENG 2016/06/28
REV B4

QUALITY SYMBOLS	GENERAL TOLERANCES (UNLESS SPECIFIED)	DIMENSION STYLE	SCALE	DESIGN UNITS	THIRD ANGLE PROJECTION
▽=0	mm INCH	MM/IN	METRIC		
▽=0	4 PLACES ± --- ± ---	DRAWN BY DATE			
	3 PLACES ± --- ± ---	TEF 1999/02/15			
	2 PLACES ± --- ± ---	CHECKED BY DATE			
	1 PLACE ± --- ± ---	JOHNSON 2004/06/04			
	ANGULAR ± 2 °	APPROVED BY DATE			
		MISEN 2004/06/04			
	DRAFT WHERE APPLICABLE MUST REMAIN WITHIN DIMENSIONS	MATERIAL NO.	DOCUMENT NO.		SHEET NO.
		SEE TABLE	SD-73415-097		1 OF 1
		THIS DRAWING CONTAINS INFORMATION THAT IS PROPRIETARY TO MOLEX INCORPORATED AND SHOULD NOT BE USED WITHOUT WRITTEN PERMISSION			