

Excellent Integrated System Limited

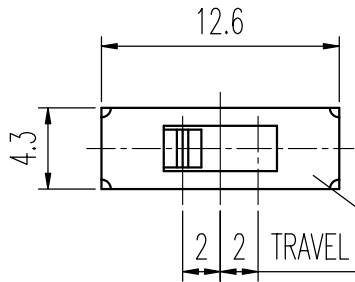
Stocking Distributor

Click to view price, real time Inventory, Delivery & Lifecycle Information:

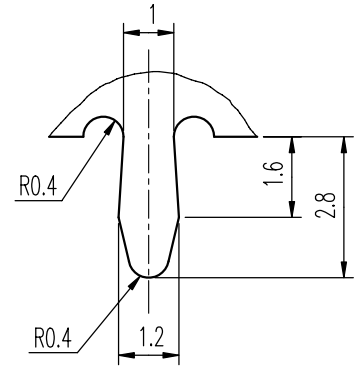
[C&K Components](#)
[SS-13D16-VG 4 PA](#)

For any questions, you can email us directly:

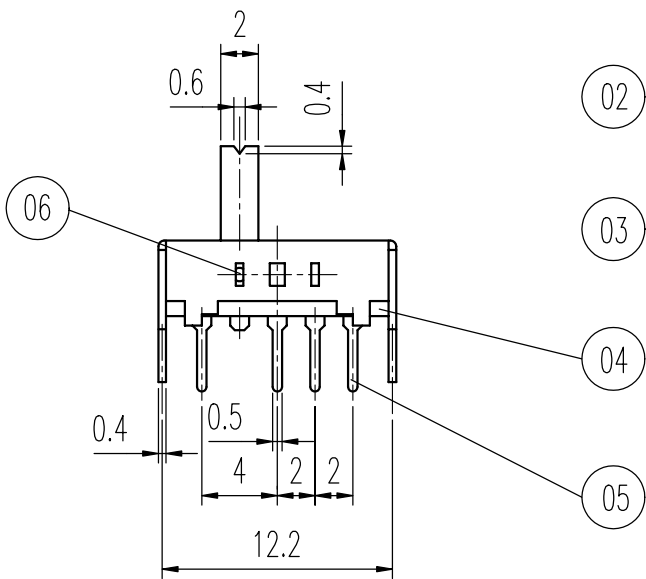
sales@integrated-circuit.com



01



K位放大图2.7:1



02

03

04

05

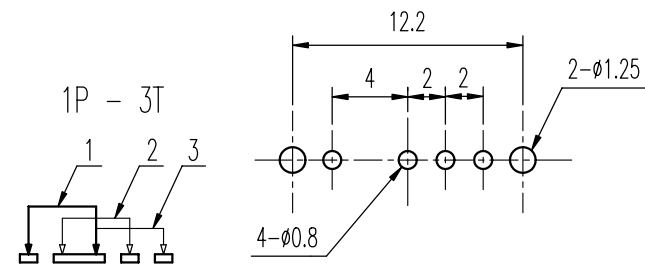
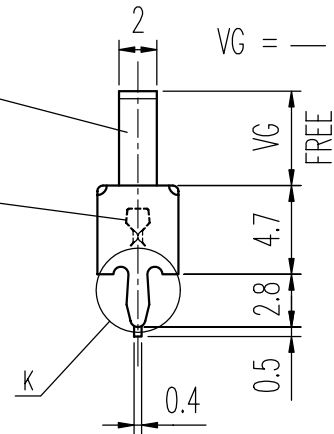


示意图 SCHEMATIC

安装孔 PIERCING PLAN

规格 Specifications

额定负荷 Ratings	DC 30 V 0.3 A
初期接触电阻 Initial Contact Resistance	30 mΩ Max.
绝缘电阻 Insulation Resistance	DC 500 V 60 Sec. 100 MΩ Min.
抗电强度 Dielectric Voltage	AC 500 V (50~60HZ) 60 Sec.

操作力 Operating Force (gf)	A → B	B → C
	C → B	B → A
负荷寿命 Operating Life With Load	200±100	250±100

序NO.	零件 PART	材料 MATERIAL	数量 QTY	备注 REMARKS
06	弹片 SPRING PLATE	C5210R	1	NATURAL
05	端子 TERMINAL	C2680R	4	Ag PLATED
04	基板 TERMINAL BASE	PHENOL RESIN	1	YELLOW
03	接触片 CONTACT CLIP	C5210R	1	Ag CLAD
02	胶柄 KNOB	PA	1	VG 2 - 8
01	铁壳 FRAME	SPCC	1	Sn PLATED

标号 REV	内容 DESCRIPTION	签名 SIGN.	日期 DATE
--------	----------------	----------	---------

DWG NO. ITEM3064

TOLERANCES UNLESS OTHERWISE SPEC.		TITLE	SLIDE SWITCH		ITEM NO	SS-13D16-VG PA	
UNDER 1	± 0.10	DRAWN	张渠江	2009-3-20	VERSION	A01	PAGE 1 OF 1
1 - 10	± 0.30	REVIEWED	王光云	2009-3-20	SCALE		UNIT mm
OVER 10	± 0.50	APPROVED	马建和	2009-3-20	PROJECTION		