

Excellent Integrated System Limited

Stocking Distributor

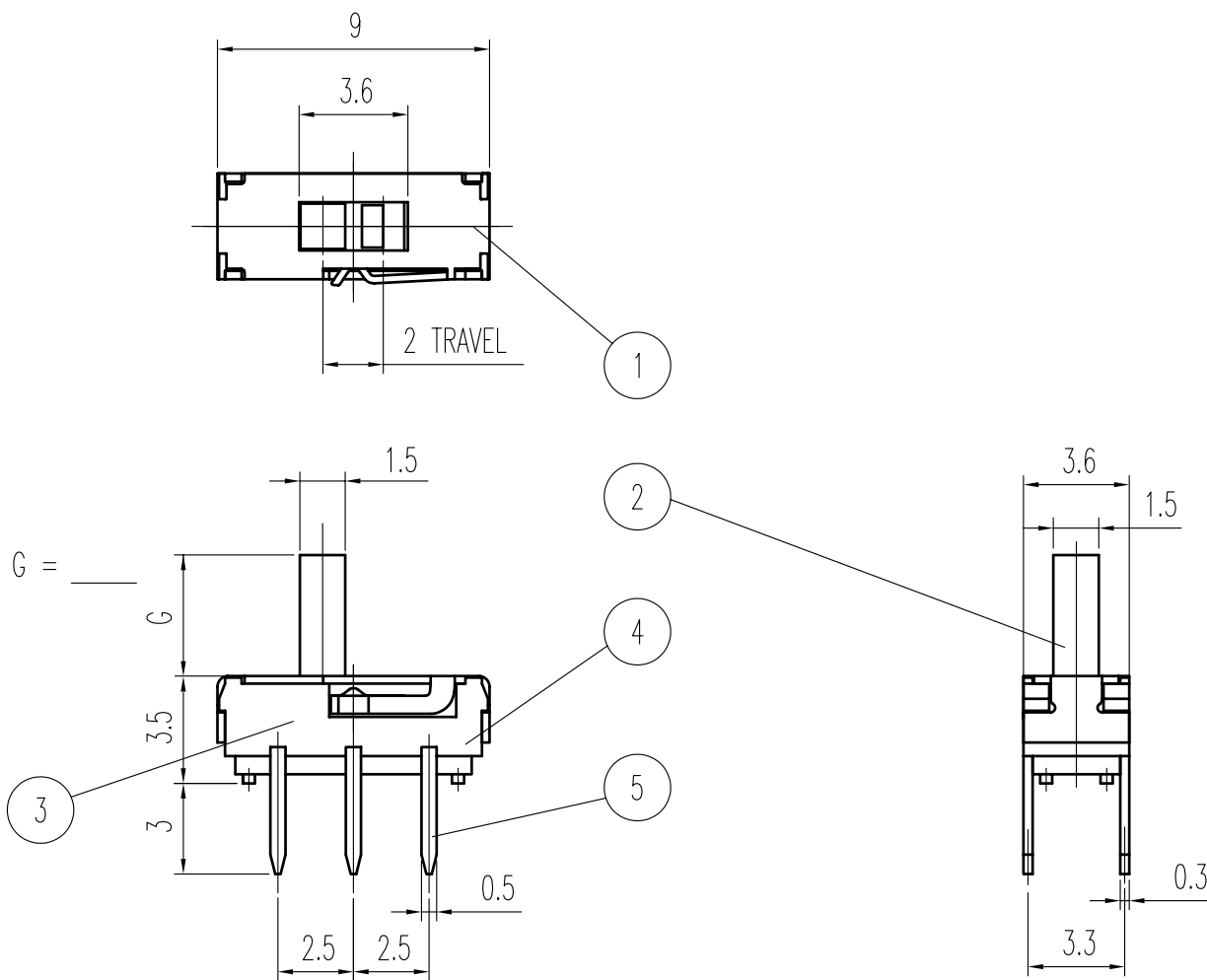
Click to view price, real time Inventory, Delivery & Lifecycle Information:

[C&K Components](#)

[SS-22D0205-G 2](#)

For any questions, you can email us directly:

sales@integrated-circuit.com



2P - 2T

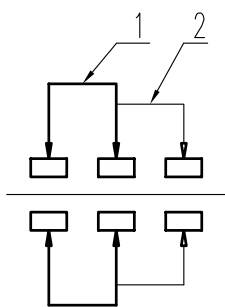
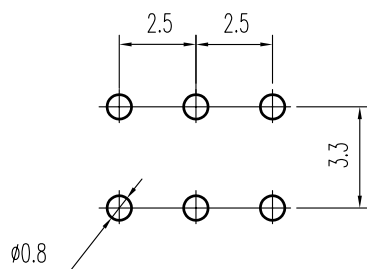


示意图 SCHEMATIC



安装孔 PIERCING PLAN

规格 Specifications

额定负荷 Ratings	DC 6 V 0.3 A
初期接触电阻 Initial Contact Resistance	70 mΩ Max.
绝缘电阻 Insulation Resistance	DC500 V.60 Sec.100 MΩ Min.
抗电强度 Dielectric Voltage	AC 500 V(50~60HZ) 60 Sec.

操作力 Operating Force (gf)	A → B
	200±100
负荷寿命 Operating Life With Load	10,000 次 Cycles

5	端子 TERMINAL	C2680R	6	Ag PLATED	A02	NATURAL → G = 2, 4 见①	王光云	2006-9-14
4	胶壳 HOUSE	PA	1	BLACK C		SS-22D0205-G 2 → SS-22D0205-G 见①		
3	接触片 CONTACT	C5210R	2	Ag CLAD	A01	见①	王光云	06 APR 04
2	胶柄 KNOB	PA	1	G = 2, 4 ①	01		张锦彪	17 MAY 03
1	盖片 COVER	SUS	1	NATURAL	标号 REV	内容 DESCRIPTION	签名 SIGN.	日期 DATE
序NO.	零件 PART	材料 MATERIAL	数量 QTY	备注 REMARKS	DWG NO. ITEM2242			

TOLERANCES UNLESS OTHERWISE SPEC.		TITLE	SLIDE SWITCH		ITEM NO	① SS-22D0205-G		
UNDER 1	± 0.10	DRAWN	王光云	2006-9-14	VERSION	A02	PAGE	1 OF 1
1 - 10	± 0.30	REVIEWED	张念明	2006-9-14	SCALE		UNIT	mm
OVER 10	± 0.50	APPROVED	刘瑞富	2006-9-14	PROJECTION			