

Excellent Integrated System Limited

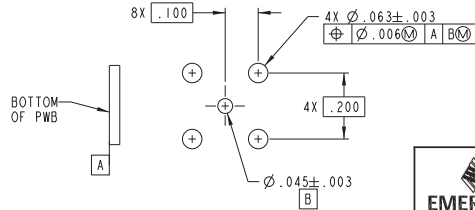
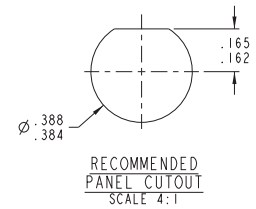
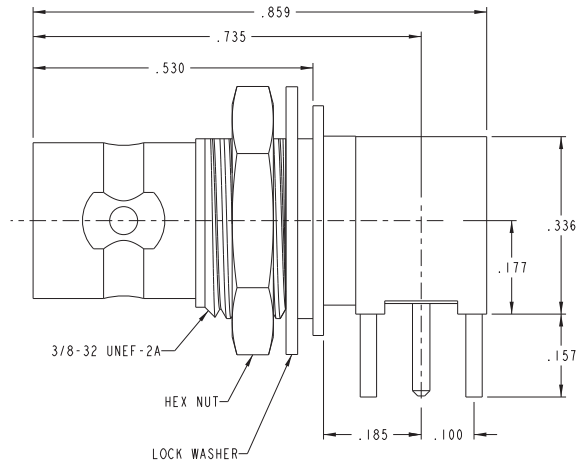
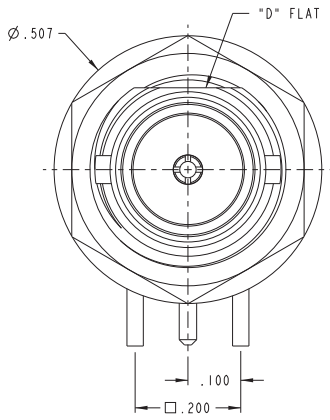
Stocking Distributor

Click to view price, real time Inventory, Delivery & Lifecycle Information:

[Bel Fuse Inc.](#)
[6-0008](#)

For any questions, you can email us directly:
sales@integrated-circuit.com

ZONE	REV	ECO	DESCRIPTION	APPROVER	DATE
B	16804			L. MEIER	1/21/09
C	54070			C. MONAHAN	2/24/12



NOTES: UNLESS OTHERWISE SPECIFIED.

- 75Ω FOUR POST RIGHT-ANGLE BULKHEAD CIRCUIT BOARD MOUNT MINI BNC RECEPTACLE.
- MAXIMUM PANEL THICKNESS .125

RECOMMENDED MOUNTING HOLE PATTERN SCALE 5/1

 Network Power Connectivity Solutions	MODEL NO.	6-0008		TITLE	UCBBJR250	MATERIAL	
	RoHS 2002/95/EC	CASE CODE		14949		DRAWING NO.	6-0008
<small>THIS PROPRIETARY DOCUMENT IS PROPERTY OF EMERSON NETWORK POWER. CONSIDERED UNCLASSIFIED IT IS FOR USE ONLY IN THE U.S. NON-TRANSFERABLE, AND ISSUED BY A CLEAR INDICATOR THAT IT IS NOT TO BE REPRODUCED OR COPIED WITHOUT PERMISSION AND IS RETURNABLE UPON DEMAND.</small>		<small>UNLESS OTHERWISE SPECIFIED</small> DRAWN BY C. WALLACE DATE 3/27/12	DATE 3/28/12 APPROVED BY C. MONAHAN	SIZE C DO NOT SCALE DRAWING	SCALE 8:1	FINISH C	SHEET 1 OF 2