

## Excellent Integrated System Limited

Stocking Distributor

Click to view price, real time Inventory, Delivery & Lifecycle Information:

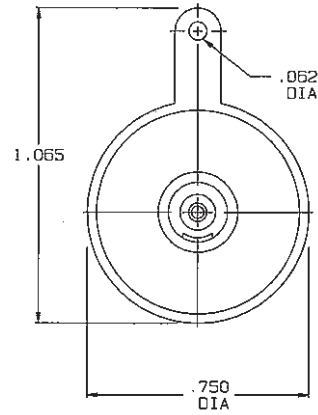
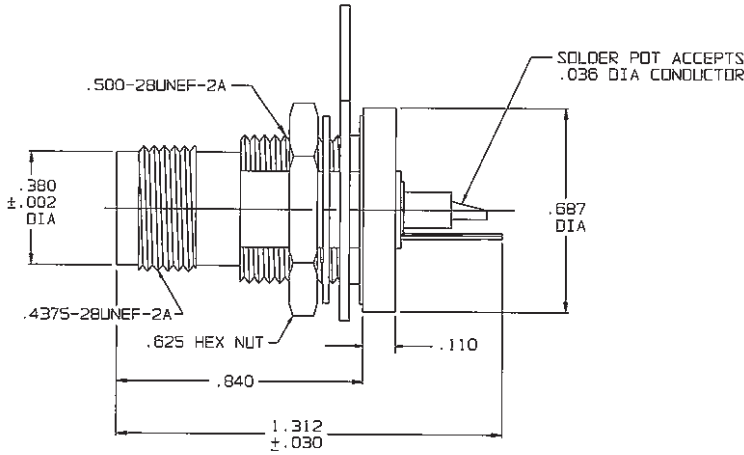
[Bel Fuse Inc.](#)  
[BJ376](#)

For any questions, you can email us directly:  
[sales@integrated-circuit.com](mailto:sales@integrated-circuit.com)

DATA CONTAINED IN THIS DOCUMENT IS PROPRIETARY TO TROMPETER ELECTRONICS INC. AND SHALL NOT BE DISCLOSED, COPIED OR USED FOR REPLICEMENT OR MANUFACTURE WITHOUT EXPRESS WRITTEN PERMISSION OF TROMPETER ELECTRONICS INC.

REVISIONS		3-0131	SH 1
REV	DESCRIPTION	DATE	APPROVED
H	REVISED PER ECO # 13617	11/7/00	

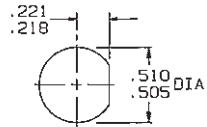
### RED INDICATES ORIGINAL



7. EXAMPLE OF COMPLETE MODEL NO.

BJ376 S  
 BASIC MODEL NO. SAFETY WIRE TYPE (OMIT IF NO REQ'D)

△ WHEN CONNECTOR IS SUPPLIED TO MILITARY PART NO. M49142/10-0001 (REF: TEI P/N = M3-0131)



RECOMMENDED  
 PANEL CUTOUT  
 SCALE: 1/1

- a) ALL PARTS NORMALLY PLATED TFS-1A OR TFS-1U (NICKEL) ARE TO BE PLATED TFS-1M (SILVER)
  - b) MARK PART "M49142/10-0001 14949"
  - c) QUALITY CONFORMANCE INSPECTION SHALL BE PER MIL-C-49142 SECTION 4.5
5. IF SAFETY WIRE TYPE REQD, ADD SUFFIX "S" TO MODEL NO
  4. MAX PANEL THK .240 W/O SOLDER LUG  
.208 THK W/SOLDER LUG
  3. CONCENTRIC TWINAX/TRIAX TRB  
REAR MOUNT SOLDER POT  
BULKHEAD RECEPTACLE
  2. FINISH: TFS-1A (NICKEL) △
  1. ALL DIM ARE IN INCHES

INTERPRET DRAWING PER MIL-STD-100 DIMENSIONS ARE IN INCHES AND INCLUDE FINISH TOLERANCES UNLESS OTHERWISE SPECIFIED		TOL. UNLESS SPECIFIED XX ± .02 .XXX ± .010 ANGLES			
DRAWN R L	DATE 11/3/00	MATERIAL:			
CHECKED 	DATE 11/5/00	FINISH:		TITLE: BJ376/BJ376S	
APPROVED 	DATE 11/6/00	CAD FILE NO. 3-0131H		SIZE A	CAGE CODE 14949
NEXT ASSY		DO NOT SCALE DWG		DRAWING NO. 3-0131	REV. H
				SCALE 2/1	DATE: 12/15/87
				SHEET 1C	