

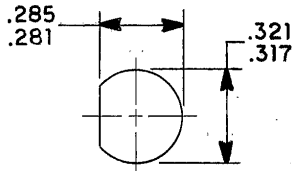
Excellent Integrated System Limited

Stocking Distributor

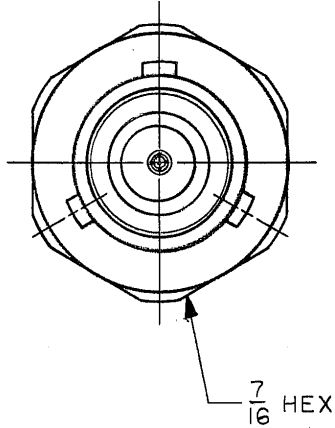
Click to view price, real time Inventory, Delivery & Lifecycle Information:

[Bel Fuse Inc.](#)
[BJ50](#)

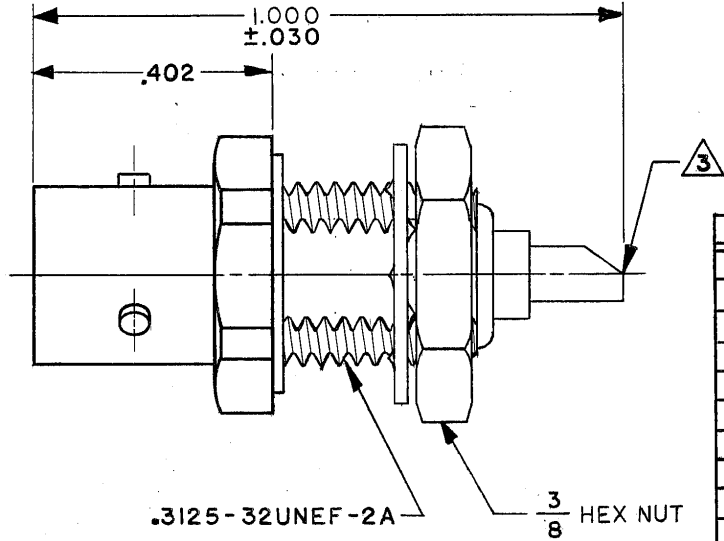
For any questions, you can email us directly:
sales@integrated-circuit.com



**RECOMMENDED
 PANEL CUTOUT
 SCALE: 2/1**



REVISIONS			1000-0403	SH 1	
REV	EO	DESCRIPTION	DWN	APPROVED	DATE
A	2465	MODEL WAS BJ-57	MCW	<i>[Signature]</i>	5-2-74
B	2800	FINISH WAS TFS-1B(GOLD)	POB	<i>[Signature]</i>	3-12-75
C	2908	REV PL ITEMS 5 & 6 PN	CU	<i>[Signature]</i>	7-8-75
D	3386	ITEM 4 PN WAS 8000-1274	CU	<i>[Signature]</i>	7-8-76
E	7239	3/8 HEX WAS 7/16 HEX	CKH	F3 <i>[Signature]</i>	9-29-86



INCH	MM
.005	0.13
.030	0.76
.039	0.99
.218	5.54
.281	7.14
.285	7.24
.317	8.05
.321	8.15
.402	10.21
1.000	25.40

- 5. MAX PNL THK .218
- 4. TPS SOLDER POT BULKHEAD MOUNT JACK

3 SOLDER POT ACCEPTS .039 DIA CONDUCTOR

2. FINISH: TFS-1A (NICKEL)

1. ALL DIM ARE IN INCHES

QTY	DESCRIPTION	PART NUMBER	ITEM
	TOL UNLESS SPECIFIED .XX ± .XXX ±.005 .XXXX ± ANGLES ±	TROMPETER ELECTRONICS, INC.	BJ50
6000-0835	DWN JKR 7-10-73	MATERIAL	CODE IDENT
6000-0216	CHK <i>[Signature]</i> 8-29-73	—	14949
NEXT ASSY	ENGR <i>[Signature]</i> 9-7-73	SCALE 4/1	DATE 9-11-73
	APPR <i>[Signature]</i> 9/11/73		DRAWING NO. 1000-0403
			REV E
			SHEET 1 OF 2