

Excellent Integrated System Limited

Stocking Distributor

Click to view price, real time Inventory, Delivery & Lifecycle Information:

[Bel Fuse Inc.](#)
[BJ75](#)

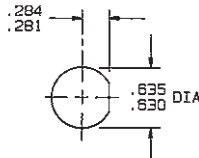
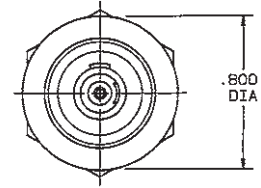
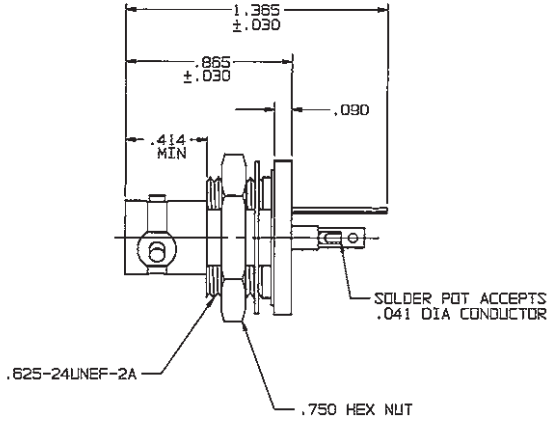
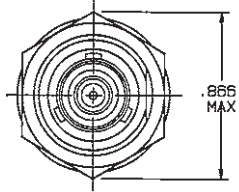
For any questions, you can email us directly:
sales@integrated-circuit.com

RED INDICATES ORIGINAL

DATA CONTAINED IN THIS DOCUMENT IS PROPRIETARY TO TROMPETER ELECTRONICS INC. AND SHALL NOT BE DISCLOSED, COPIED OR USED FOR PROCUREMENT OR MANUFACTURE WITHOUT EXPRESS WRITTEN PERMISSION.

REVISIONS			3-0083	SH 1	
REV	EO	DESCRIPTION	DWN	APPROVED	DATE
J	11958	ADDED SHT 2, DIM .610 ±.010 WAS .675 ±.005; SEE ECO	DBN	<i>Bm: Fa</i>	3/31/97

INCH	MM
.005	0.13
.030	0.76
.041	1.04
.090	2.29
.140	3.56
.281	7.14
.284	7.21
.414	10.52
.630	16.00
.635	16.13
.750	19.05
.800	20.32
.865	21.97
.866	22.00
1.365	34.67



RECOMMENDED
 PANEL CUTOUT
 SCALE: 1/1

- MAX PANEL THK .140
- CONCENTRIC TWINAX/TRIAX TRB REAR MOUNTING INSULATED BULKHEAD SOLDER POT RECEPTACLE
- FINISH: TFS-1A (NICKEL)
- ALL DIM ARE IN INCHES

QTY	DESCRIPTION	PART NUMBER	ITEM		
TOL UNLESS SPECIFIED .XX ± .XXX ±.005 .XXXX ± ANGLE±			BJ75		
DWN	DBN 3/21/97			MATERIAL	CODE IDENT
CHK	<i>Bm</i> 3/28/97		14949	3-0083	J
ENGR					
APPR	<i>Fa</i> 3/28/97	SCALE 2/1	DATE 10/14/82	SHEET 1 OF 2	

NEXT ASSY