

Excellent Integrated System Limited

Stocking Distributor

Click to view price, real time Inventory, Delivery & Lifecycle Information:

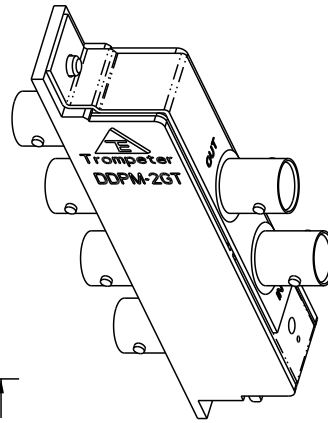
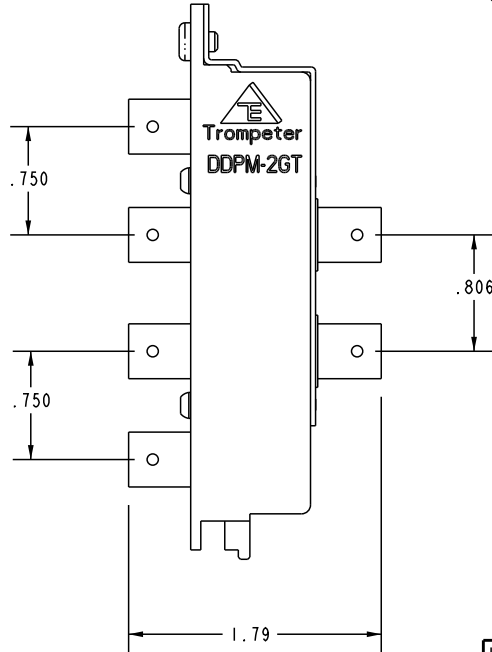
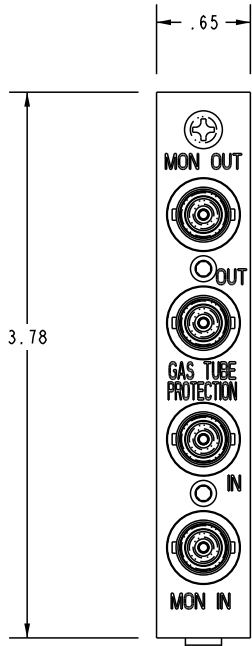
[Bel Fuse Inc.](#)
[DDPM-2GT](#)

For any questions, you can email us directly:

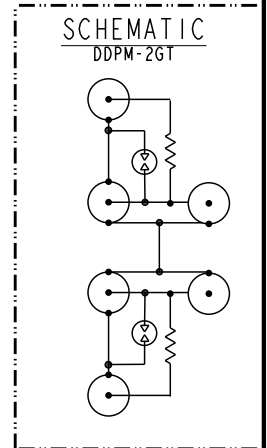
sales@integrated-circuit.com

DATA CONTAINED IN THIS DOCUMENT IS PROPRIETARY TO EMERSON CONNECTIVITY SOLUTIONS AND SHALL NOT BE DISCLOSED, COPIED OR USED FOR PROCUREMENT OR MANUFACTURE WITHOUT EXPRESS WRITTEN PERMISSION

REVISIONS			
REV	DESCRIPTIONS	DATE	APPROVED
D	ECO 52389	5/26/10	T. KOHLER



SCALE 1/1



2. DDPM-2GT PROVIDES SURGE PROTECTION
1. BNC STYLE 75Ω PANEL MOUNTED COAXIAL PARALLEL NETWORK WITH TWO 20 dB MONITOR PORTS

NOTES: UNLESS OTHERWISE SPECIFIED.

INTERPRET DRAWING PER MIL-STD-100. DIMENSIONS ARE IN INCHES AND INCLUDE FINISH THICKNESS UNLESS OTHERWISE SPECIFIED.

TOL: UNLESS SPECIFIED.
 .XX ± .02
 .XXX ± .010
 ANGLE ± 1°



Cinch Connectivity Solutions
 299 Johnson Ave, Ste. 100
 Waseca, MN 56093
 1-800-247-8256

DRN C. WALLACE	5/28/10	MATERIAL:	TITLE: DDPM-2GT, MODULE ASSY WITH GROUND PLATE
CHK		FINISH:	
QUALITY		SIZE	CAGE CODE
MANUF		A	14949
APPROVED		DRAWING NO.	105-2166
		REV.	D

SURFACE AREA	PROJ FILE NO. 105-2166	DO NOT SCALE DWG	SCALE 1/1	DATE 10/28/02	SHEET 1 OF 3
--------------	---------------------------	------------------	--------------	------------------	-----------------