

Excellent Integrated System Limited

Stocking Distributor

Click to view price, real time Inventory, Delivery & Lifecycle Information:

[Bel Fuse Inc.](#)
[PL3155-47](#)

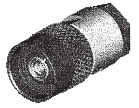
For any questions, you can email us directly:
sales@integrated-circuit.com



DASH NUMBER	CABLES ACCOMMODATED	ASSEMBLE PER
-23	275-3930, MICRODOT	TAI-127
-24	202-3934, MICRODOT	TAI-125
-24A	9530A5117, RAYCHEM	TAI-127
-27	202-3927, MICRODOT ⁵ 73-1317911-1, SYLVANIA	TAI-125
-29	TWC-124-1A TWC-78-1	
-30	8441, BELDEN ⁴ 761A, W.E.CO.	TAI-127
-32	TRC-50-1	
-33	TRC-75-1	TAI-174
-43	250-4044/250-4045 293-3930 MICRODOT	
-45	10602, RAYCHEM	TAI-125
-47	M17/176-00002 ⁵	
-49	TWAC-78-1F2 ⁵	
-55	TWCP-124-3 ⁴	TAI-174
-56	GC875GCI, GRUMMAN	
-57	GC875GBI, GRUMMAN	
-58	GC875TM24H, GRUMMAN	TAI-125

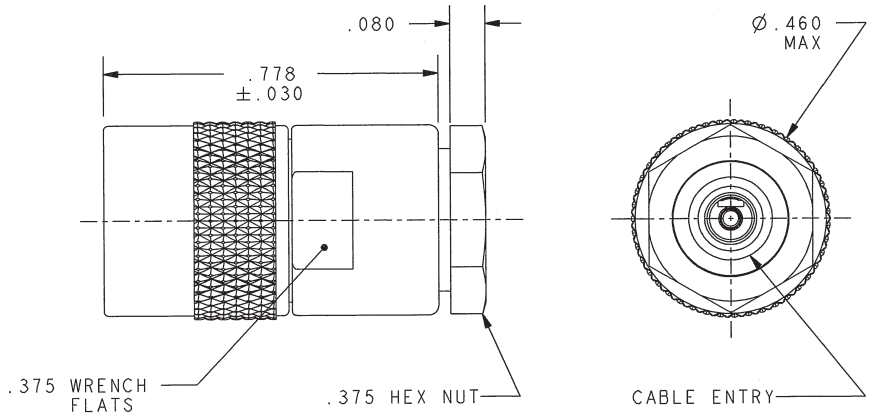
DATA CONTAINED IN THIS DOCUMENT IS PROPRIETARY TO TROMPETER ELECTRONICS INC. AND SHALL NOT BE DISCLOSED, COPIED OR USED FOR PROMOTION OR MANUFACTURE WITHOUT EXPRESS WRITTEN PERMISSION.

REVISIONS			DATE	APPROVED
REV	DESCRIPTIONS			
P	REVISED PER ECO #16414		8/15/07	AMC



SCALE 1/1

RED INDICATES ORIGINAL



-29 SHOWN

⁵ .187 LARGE JACKET SLITS MAY BE REQUIRED FOR EASE OF ASSEMBLY

⁴ NOT WRENCH CRIMP

3. CONCENTRIC TWINAX/TRIAX SUBMINIATURE THREADED TTM CABLE PLUG

2. IF SAFETY WIRE TYPE REQUIRED ADD SUFFIX "S" TO MODEL NUMBER (PL3155S)

1. FINISH: TFS-1A (NICKEL)

NOTES: UNLESS OTHERWISE SPECIFIED.

INTERPRET DRAWING PER MIL-STD-100. DIMENSIONS ARE IN INCHES AND INCLUDE FINISH THICKNESS UNLESS OTHERWISE SPECIFIED.		TOL: UNLESS SPECIFIED. .XX ± .02 .XXX ± .010 ANGLE ± 1°			
DRN	JLM 7-19-07	MATERIAL:	TITLE: PL3155/PL3155S		
CHK	8/13/07	FINISH:			
MANUF		SIZE	CAGE CODE	DRAWING NO.	REV.
APPROVED	8/14/07	A	14949	310-0047	P
NEXT ASSY	PROTE FILE NO. 310-0047	DO NOT SCALE DWG	SCALE	DATE	SHEET
			3/1	8/5/80	1C