

Excellent Integrated System Limited

Stocking Distributor

Click to view price, real time Inventory, Delivery & Lifecycle Information:

[Bel Fuse Inc.](#)
[PL3455ACP-221](#)

For any questions, you can email us directly:
sales@integrated-circuit.com



RED IS ~~XXXXXXXXXX~~ ORIGINAL

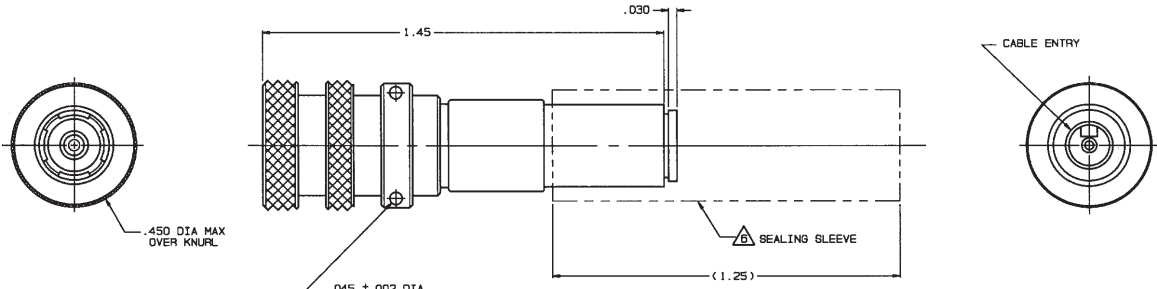
DISK #	DWG SIZE	DATA CONTAINED IN THIS DOCUMENT IS PROPRIETARY TO TROMPETER ELECTRONICS INC. AND SHALL NOT BE DISCLOSED, COPIED OR USED FOR REPRODUCTION OR MANUFACTURE WITHOUT EXPRESS WRITTEN PERMISSION.
K 1	C	

REV		ED	DESCRIPTION	DWN	APPROVED	DATE
F	10054		PICTORIALLY CHANGED 1.00 FLARED SEALING SLEEVE TO STRAIGHT (1.25) LONG SEALING SLEEVE: GENERAL UPDATE	DKC	<i>DKC</i>	12/12/92

DASH NO	MODEL NO	CENTER CONTACT/INTMD CONTACT TYPE
-1	PL3455AC P	SOCKET/PIN
-2	PL3455AC S	PIN/SOCKET

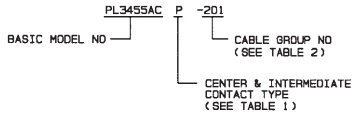
CABLE GROUP NO	CABLES ACCOMMODATED	ASSEMBLE PER
-201	M17-176-00002	TAI-162
-202	TWC-78-1, TROMPETER	
-203	TWC-124-1A, TROMPETER	
-204	10802, RAYCHEM	
-205	TWAC-78-1E2, TROMPETER	
-206	782800130, RAYCHEM	
-208	202-3927, MICRODOT	
-209	202-3942, MICRODOT	
-212	2524E0114, RAYCHEM	
-217	6C875TM24H, GRUMMAN	
-218	6P8221889, RAYCHEM	
-219	252801114, RAYCHEM	
-220	6C875RR1, GRUMMAN	
-221	10814, RAYCHEM	
-222	10813, RAYCHEM	
-223	HMS2-1149, HUGHES	TAI-190
-303	7528A5314, RAYCHEM	

INCH	MM
.002	0.05
.005	0.13
.030	0.76
.045	1.14
.255	6.48
.450	11.43
1.25	31.75
1.45	36.83

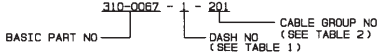


SEALING SLEEVE & CRIMP BUSHINGS SUPPLIED LOOSE WITH EACH CONNECTOR: EXCEPT SEALING SLEEVE NOT USED ON -205, -208 & -223

5. EXAMPLE OF COMPLETE MODEL NO:



4. EXAMPLE OF COMPLETE PART NO:



3. CONCENTRIC TWINAX 4 PIECE ASSY. FULL CRIMP
 CABLE PLUG, SOCKET CENTER CONTACT AND PIN INTERMEDIATE CONTACT OR PIN CENTER CONTACT AND SOCKET INTERMEDIATE CONTACT

2. TFS-1U (500 HRS SALT SPRAY: NICKEL)

1. ALL DIM ARE IN INCHES

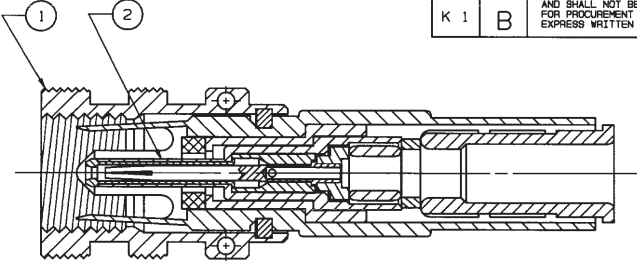
-1 -202 SHOWN



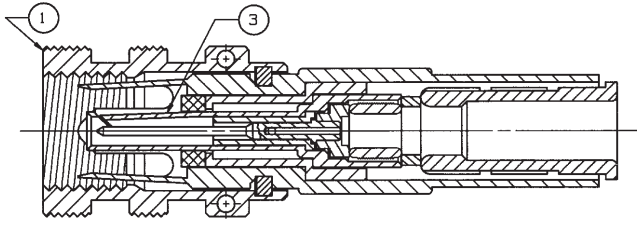
QTY	DESCRIPTION	PART NUMBER	ITEM
TOL. UNLESS SPECIFIED .XX ± .03 .XXX ± .005 .XXXX ± .0002 ANGLE ±	TROMPETER RF connectivity	PL3455ACP/S	
DWN DKC 12-3-92	MATERIAL	CODE IDENT 14949	DRAWING NO. 310-0067
ENGR <i>DKC</i>	SCALE 4/1	DATE 10-7-87	REV F
APPR <i>DKC</i>	12/29/92	SHEET 1 OF 2	

RED INDICATES ORIGINAL

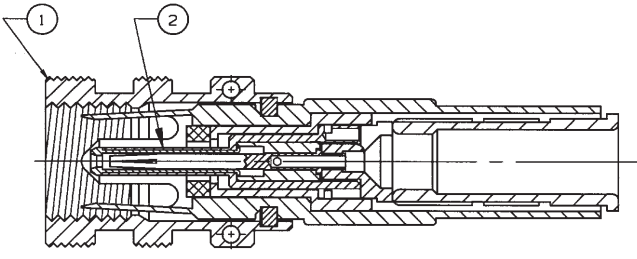
DISK # K 1	DWG SIZE B	DATA CONTAINED IN THIS DOCUMENT IS PROPRIETARY TO TROMPETER ELECTRONICS INC. AND SHALL NOT BE DISCLOSED, COPIED OR USED FOR PROCUREMENT OR MANUFACTURE WITHOUT EXPRESS WRITTEN PERMISSION.	REVISIONS		310-0067		SH 2
			REV	EO	DESCRIPTION	DWN	APPROVED



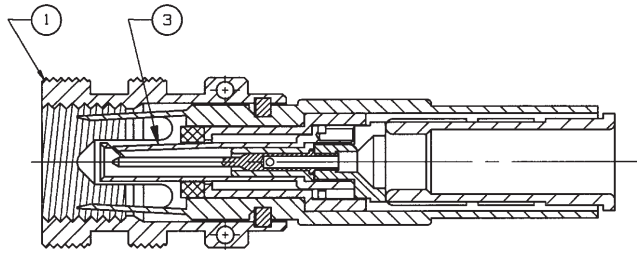
-1-303 SHOWN



-2-303 SHOWN




-1-221 SHOWN



-2-221 SHOWN

1 DASH NO SAME AS CABLE GROUP NO

1	SP450AC - 1		8-2496-	1		3
1	PS450AC - 1		8-2495-	1		2
1	BODY ASSY. PL3455AC - 1		8-2554-	1		1
DESCRIPTION			PART NUMBER			
TOL UNLESS SPECIFIED .XX ± .XXX ± .XXXX ± ANGLES ±					PL3455ACP/S	
DWN	DKC	12-3-92	MATERIAL	CODE IDENT	DRAWING NO.	REV
CHK	<i>DG</i>	12/1/92		14949	310-0067	F
ENGR						
NEXT ASSY	APPR	<i>KJ</i>	SCALE 4/1	DATE 10-7-87	SHEET 2	