

## Excellent Integrated System Limited

Stocking Distributor

Click to view price, real time Inventory, Delivery & Lifecycle Information:

[Bel Fuse Inc.](#)  
[PLR155ACFL-201](#)

For any questions, you can email us directly:  
[sales@integrated-circuit.com](mailto:sales@integrated-circuit.com)

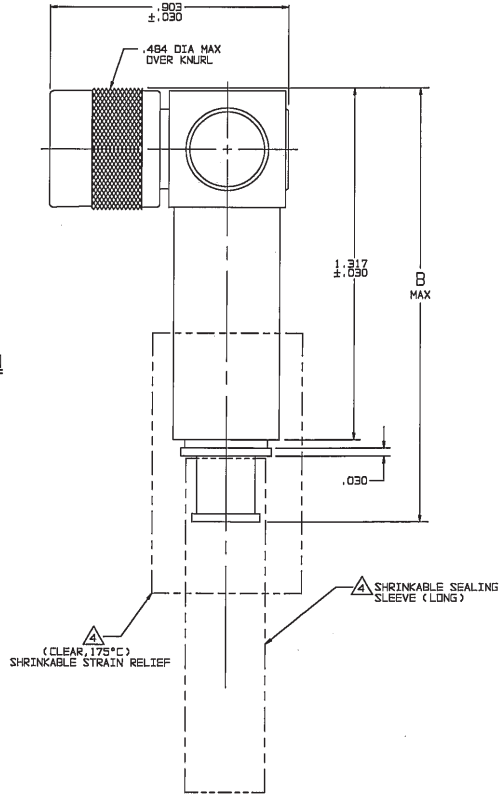
# RED INDICATES ORIGINAL

DWG SIZE C	DATA CONTAINED IN THIS DOCUMENT IS PROPRIETARY TO TROMPETER ELECTRONICS INC. AND SHALL NOT BE REPRODUCED, COPIED OR USED FOR REPRODUCTION OR MANUFACTURE WITHOUT EXPRESS WRITTEN PERMISSION.			REVISIONS		310-0071	SH 1
	REV	ED	DESCRIPTION	DWN	APPROVED	DATE	
	J	12387	ADDED -224 & -225; ADDED NOTE [2] SHEET 2; SEE ECD	DKC	MM	MM	7/27/88

DASH NO	CABLES ACCOMMODATED	A HEX	B MAX	ASSEMBLY PER
-201	M17/178-00002	.344	1.77	TAI-189
-202	TWC-78-1			
-203	TWC-124-1A			
-204	10802, RAYCHEM			
-205	TWC-78-1F2			
-206	782800130, RAYCHEM			
-207	89310 BELDEN			
-208	202-3827 MICRODOT			
-209	202-3842 MICRODOT			
-210	8451 BELDEN			
-211	202-3834 MICRODOT			
-212	2524E0114, RAYCHEM			
-213	TWC-78-2	.344	1.52	TAI-181
-214	TWC-124-2			
-215	BL-982 TIMES			
-216	BL-1242 TIMES			
-217	GCB75H24H, GRUMMAN	.344	1.77	TAI-189
-218	EPD 221889, RAYCHEM			
-219	25280114, RAYCHEM			
-220	GCB75RR1, GRUMMAN			
-221	10614, RAYCHEM			
-222	10613, RAYCHEM			
-223	NWS2-114B, HUGHES			
-224	TWCF-124-3			
-225	PSB85PL, PRIME STOCK			
-301	GCB75CC1, GRUMMAN	.344	1.47	TAI-178
-302	GCB75GB1, GRUMMAN			
-303	502285111, RAYCHEM			
-304	7528A9314, RAYCHEM			
-305	M17/177-00001, THERMATICS	.344	1.78	TAI-154
-306	TRC-80-2			
-307	TRC-75-1			
-308	TRC-75-2			
-309	TRC-50-1			



-201 SHOWN



INCH	MM
.005	0.13
.030	0.76
.344	8.74
.484	12.28
.603	15.32
1.00	25.40
1.25	31.75
1.317	33.45
1.47	37.33
1.52	38.61
1.75	44.45
1.78	44.70
1.77	44.96



- 1 SHRINKABLE STRAIN RELIEF AND/OR SHRINKABLE SEALING SLEEVE SUPPLIED LOOSE AS FOLLOWS:
- a. CABLE GROUPS -201 THROUGH -210, -217 THROUGH -223, -301, -302, -303, -305, -307 & -308
    - 1 SHRINKABLE STRAIN RELIEF (1.00 LONG)
    - 1 SHRINKABLE SEALING SLEEVE (1.25 LONG)
  - b. CABLE GROUPS -211 THROUGH -216, -306 & -309
    - 1 SHRINKABLE STRAIN RELIEF (1.75 LONG)
3. CONCENTRIC TWINAX/TRIAK TRS 4-LUG RIGHT ANGLE FULL CRIMP CABLE PLUG
2. FINISH: TFS-1A (NICKEL)
1. ALL DIM ARE IN INCHES

6. EXAMPLE OF COMPLETE MODEL NO:  
 PLR155ACFL S-201
- BASIC MODEL NO \_\_\_\_\_ CABLE GROUP DASH NO \_\_\_\_\_ SAFETY WIRE \_\_\_\_\_
5. EXAMPLE OF COMPLETE PART NO:  
 310-0071 S-201
- BASIC PART NO \_\_\_\_\_ CABLE GROUP DASH NO \_\_\_\_\_ SAFETY WIRE \_\_\_\_\_

QTY	DESCRIPTION	PART NUMBER	ITEM
TOL. UNLESS SPECIFIED XX ±.05 XXX ±.005 XXXX ±.0002 ANGLE	<b>TROMPETER</b> RF CONNECTIVITY	PLR155ACFL PLR155ACFLS	
DWN	DKC 5-19-88	MATERIAL	CODE IDENT
CHK	MM 6-22-88	14949	310-0071
ENGR			
APPR	MM 7/16/88	SCALE 4/1	DATE 4/18/88 SHEET 1 OF 2