

## Excellent Integrated System Limited

Stocking Distributor

Click to view price, real time Inventory, Delivery & Lifecycle Information:

[Bel Fuse Inc.](#)  
[UCBJE20-1](#)

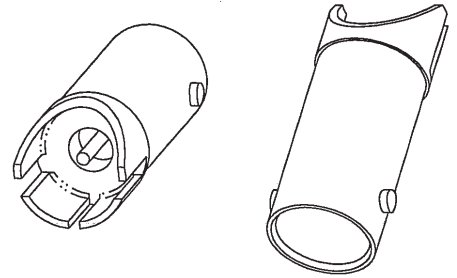
For any questions, you can email us directly:  
[sales@integrated-circuit.com](mailto:sales@integrated-circuit.com)

DASH NO	BOARD THICKNESS
-1	.060-.064
-2	.028-.033

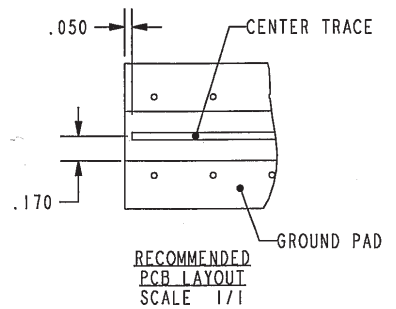
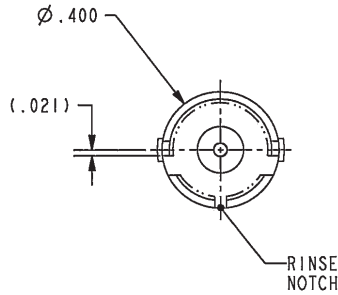
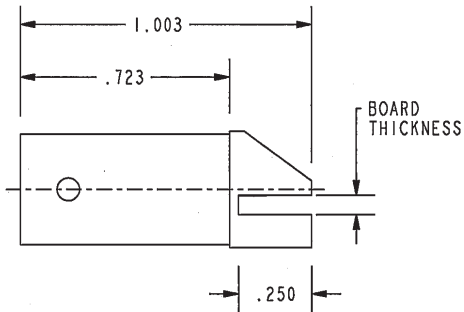
DATA CONTAINED IN THIS DOCUMENT IS PROPRIETARY TO TROMPETER ELECTRONICS INC. AND SHALL NOT BE DISCLOSED, COPIED OR USED FOR PROCUREMENT OR MANUFACTURE WITHOUT EXPRESS WRITTEN PERMISSION.

REVISIONS			
REV	DESCRIPTIONS	DATE	APPROVED
E	REVISED PER ECO 15761	2-3-05	WJ

RED INDICATES ORIGINAL



SCALE 2/1



3. EXAMPLE OF COMPLETE MODEL NO.



2. FINISH: BODY: TFS-1B (GOLD, 1G)  
 CONTACT: TFS-1B (GOLD, 5G)

1. 75Ω CIRCUIT BOARD EDGE MOUNT  
 "BNC" STYLE RECEPTACLE

NOTES: UNLESS OTHERWISE SPECIFIED.

INTERPRET DRAWING PER ANV1-STD-100. DIMENSIONS ARE IN INCHES AND INCLUDE FINISH THICKNESS UNLESS OTHERWISE SPECIFIED.		TOL: UNLESS SPECIFIED: .XX ± .02 .XXX ± .010 ANGLE ± 1°		 UCBJE20	
DRN AAH 2-1-05 CHR T.Kha 2-1-05 QDALT MS 2/2/05 MARKS BP 2/2/05 APPROVED WJ 2/1/05 DWG DATE NO. 1-0582	MATERIAL: FINISH: SEE NOTE 2	TITLE: SIZE A CAGE CODE 14949 SCALE 2/1	DRAWING NO. 1-0582 DATE 3-21-02 SHEET 1C		

NEXT ASSY	DO NOT SCALE DWG	SCALE 2/1	DATE 3-21-02	SHEET 1C
-----------	------------------	-----------	--------------	----------