

## Excellent Integrated System Limited

Stocking Distributor

Click to view price, real time Inventory, Delivery & Lifecycle Information:

[Honeywell Sensing and Productivity Solutions  
V3-1201](#)

For any questions, you can email us directly:

[sales@integrated-circuit.com](mailto:sales@integrated-circuit.com)

# MICRO SWITCH

FREEPORT ILLINOIS, U.S.A  
 A DIVISION OF HONEYWELL  
 FED. MFG. CODE 91929

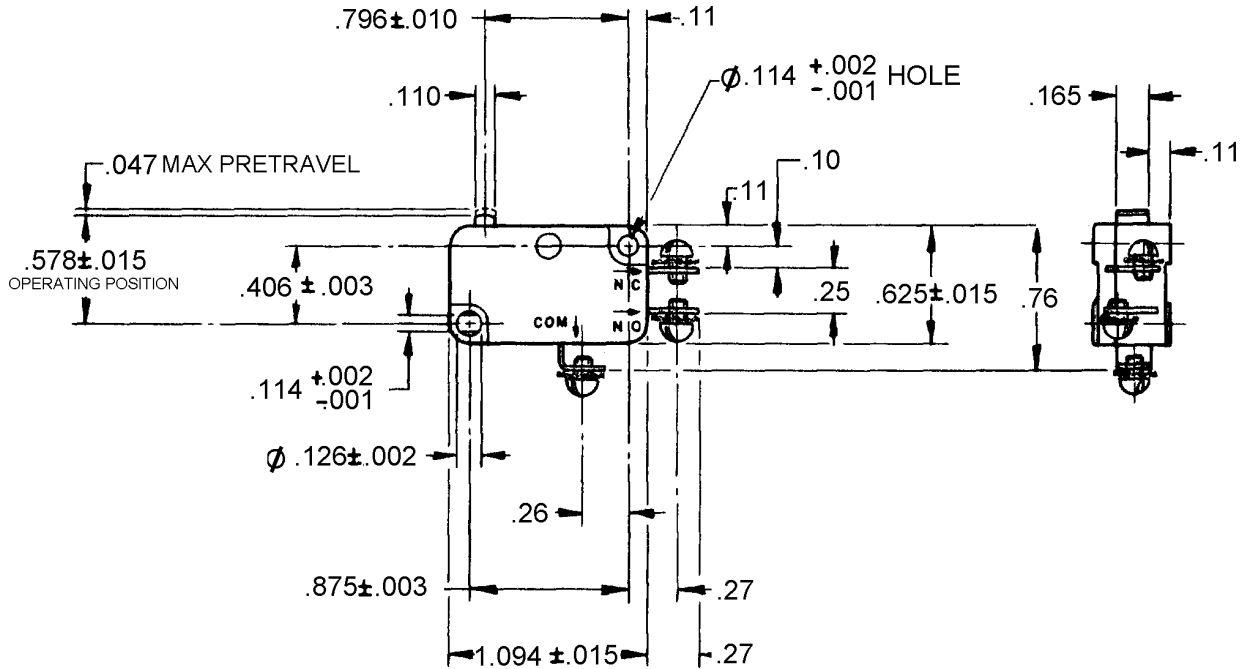
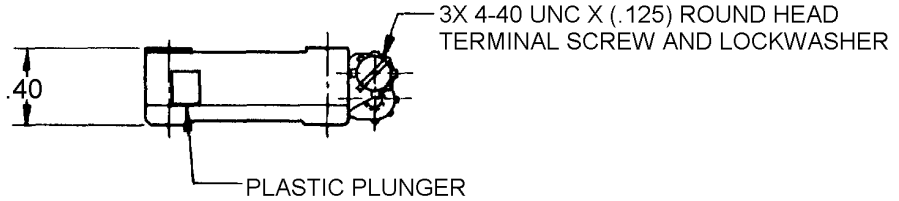
# SWITCH - BASIC

CATALOG LISTING

**V3-1201**

MILITARY STDS PART NO.  
 M8805/90-001

**CK-NI201**



NOTE  
 1 - "M8805/90-001" AND SOURCE CODE "91929" MARKED ON SWITCH  
 AND LABEL OF PACKING BOX

ANSI Y14.5M-1982 APPLIES

THIS DRAWING COVERS A PROPRIETARY ITEM AND IS THE PROPERTY OF MICRO SWITCH, A DIVISION OF HONEYWELL. THIS DRAWING IS NOT TO BE COPIED OR USED WITHOUT THE APPROVAL OF MICRO SWITCH.

V3-1201  
 PAGE 1 OF 1  
 PR-2340  
 RELEASE NO.  
 M  
 DRAWING NUMBER  
 ISSUE 6  
 CHECK  
 REVISIONS  
 A PR-2340  
 S R H  
 3 JAN 72  
 B CO  
 39182  
 G A S  
 18 FEB 78  
 C C045436  
 D J W  
 31 JAN 79  
 D CO  
 76499  
 D C S  
 6 JAN 94  
 E 201691  
 G J W  
 8 NOV 00  
 CHECK  
 4 JAN 72  
 4 JAN 72  
 3 JAN 72  
 DRAWN  
 S R H  
 FO-50378-1A

CHARACTERISTICS
OPERATING FORCE-----75 GRAM MAX
RELEASE FORCE-----10 GRAM MIN
DIFFERENTIAL TRAVEL-----.002-.010
OVERTRAVEL-----.050 MIN
FREE POSITION-----.625 MAX
RELEASE TRAVEL-----.010 MIN

ELECTRICAL DATA
CONTACT ARRANGEMENT S P D T

SCALE FULL
DO NOT SCALE PRINT
UNLESS OTHERWISE NOTED DIMENSIONS ARE IN INCHES
<b>TOLERANCES ARE:</b>
ONE PLACE (.0) ±.030
TWO PLACE (.00) ±.015
THREE PLACE (.000) ±.005
ANGLES ±
WEIGHT 9.1 GRAMS