

## Excellent Integrated System Limited

Stocking Distributor

Click to view price, real time Inventory, Delivery & Lifecycle Information:

[Honeywell Sensing and Productivity Solutions  
V3-3015](#)

For any questions, you can email us directly:

[sales@integrated-circuit.com](mailto:sales@integrated-circuit.com)

# MICRO SWITCH

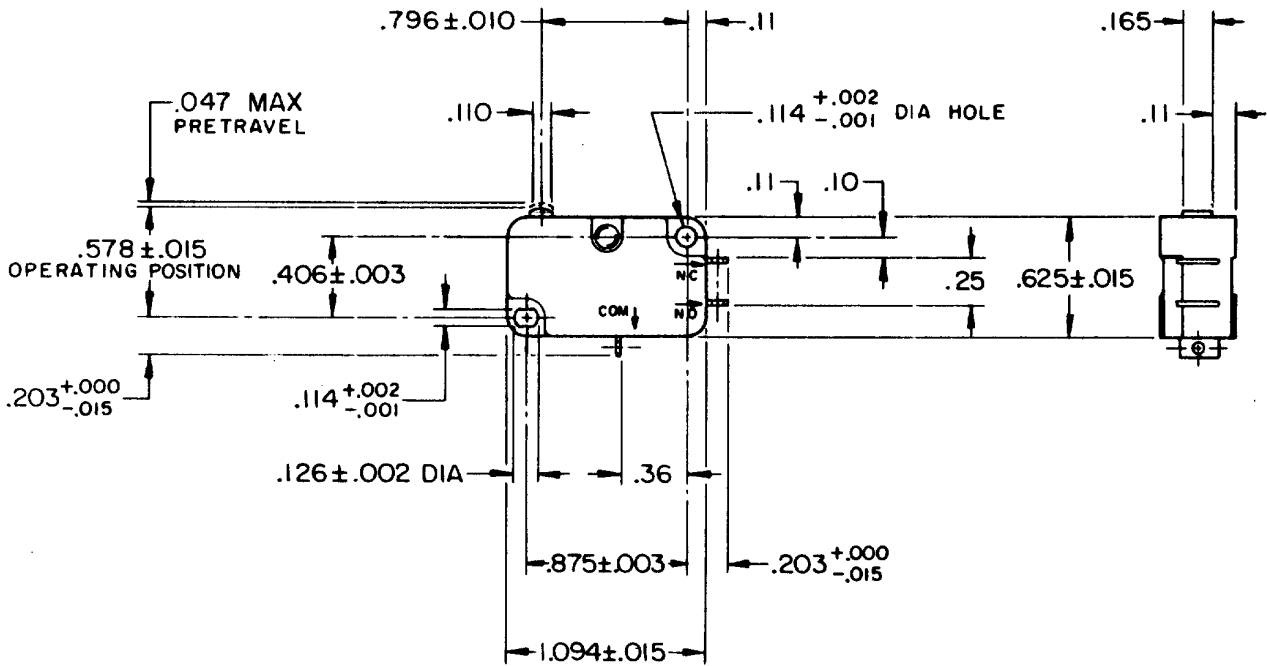
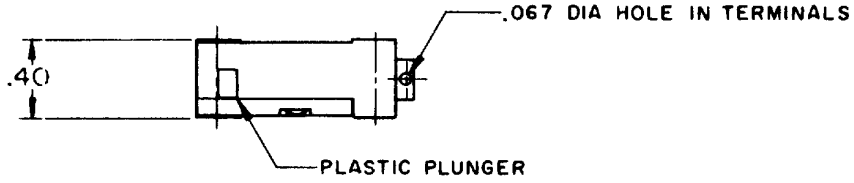
FREERPORT ILLINOIS, U.S.A  
 A DIVISION OF HONEYWELL  
 FED. MFG. CODE 91929

## SWITCH-BASIC

CATALOG LISTING

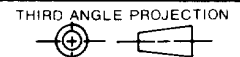
V3-3015

CK-X3270



NOTE -  
 1 - TERMINALS ARE PLATED FOR SOLDERING

THIS DRAWING COVERS A PROPRIETARY ITEM AND IS THE PROPERTY OF MICRO SWITCH, A DIVISION OF HONEYWELL. THIS DRAWING IS NOT TO BE COPIED OR USED WITHOUT THE APPROVAL OF MICRO SWITCH.



CHARACTERISTICS	
OPERATING FORCE	--- 150 GRAM MAX
RELEASE TRAVEL	----- .010 MIN
RELEASE FORCE	----- 15 GRAM MIN
DIFFERENTIAL TRAVEL	---- .002-.010
OVERTRAVEL	----- .050 MIN
FREE POSITION	----- .625 MAX

ELECTRICAL DATA	
CONTACT ARRANGEMENT S P D T	
<b>L83</b> 15.1A 1/2HP 125 OR 250 VAC 1/2A 125 VDC, 1/4A 250 VDC 5A 125 VAC "L" 	

SCALE FULL			
DO NOT SCALE PRINT			
TOLERANCES			
APPLY TO DESIGN UNITS. CONVERSIONS ARE ONLY FOR REFERENCE. UNLESS NOTED, TOLERANCES ARE ±			
DIM.	TOL.	DIM.	TOL.
mm	mm/in	in	mm/in
NO PLACES	X	1/04	X X
ONE PLACE	X,X	0.4/018	X X
TWO PLACES	X,XX	0.15/008	X XX
THREE PLACES	X,XXX		X XXX
ANGLES			
SI METRIC		US CUSTOMARY	
DESIGN UNITS <input type="checkbox"/>		<input checked="" type="checkbox"/>	
WEIGHT			

V3-3015  
 M  
 DRAWING NUMBER  
 ISSUE  
 REVISIONS  
 A CO 38059 GLH 3 FEB 77  
 B C055729 KEW 28 AUG 84  
 C CO 56997 SMA 1 OCT 85  
 D C076103 LWF 4 OCT 93  
 FO-52848-A  
 DRAWN  
 GLH  
 22 APR 76  
 CHECK  
 CEB  
 22 APRIL 76  
 CHECK  
 LWF  
 4 OCT 93  
 REPLACES  
 PR-5823  
 RELEASE NO.