

## Excellent Integrated System Limited

Stocking Distributor

Click to view price, real time Inventory, Delivery & Lifecycle Information:

[Honeywell Sensing and Productivity Solutions  
V3-3045](#)

For any questions, you can email us directly:

[sales@integrated-circuit.com](mailto:sales@integrated-circuit.com)



**MICRO SWITCH**

FREEMONT ILLINOIS, U.S.A  
 A DIVISION OF HONEYWELL  
 FED. MFG. CODE 91929

**SWITCH - BASIC**

CATALOG LISTING

**V3-3045**

**CK-X3465**

V3-3045

REPLACES X76257-V3

RELEASE NO. PR-11793

**M**

DRAWING NUMBER

**6**

ISSUE

CHECK

REVISIONS

A CO 52718

WJM FEB 83

B CO54318

JAP JAN 84

C CO55729

K E W AUG 84

D CO 30007

SMA OCT 85

E CO 76104

G R T OCT 93

CHECK

CHECK

CHECK

CHECK

CHECK

CHECK

CHECK

CHECK

CHECK

CHECK

CHECK

CHECK

CHECK

CHECK

CHECK

CHECK

CHECK

CHECK

CHECK

CHECK

CHECK

CHECK

CHECK

CHECK

CHECK

CHECK

CHECK

CHECK

CHECK

CHECK

CHECK

CHECK

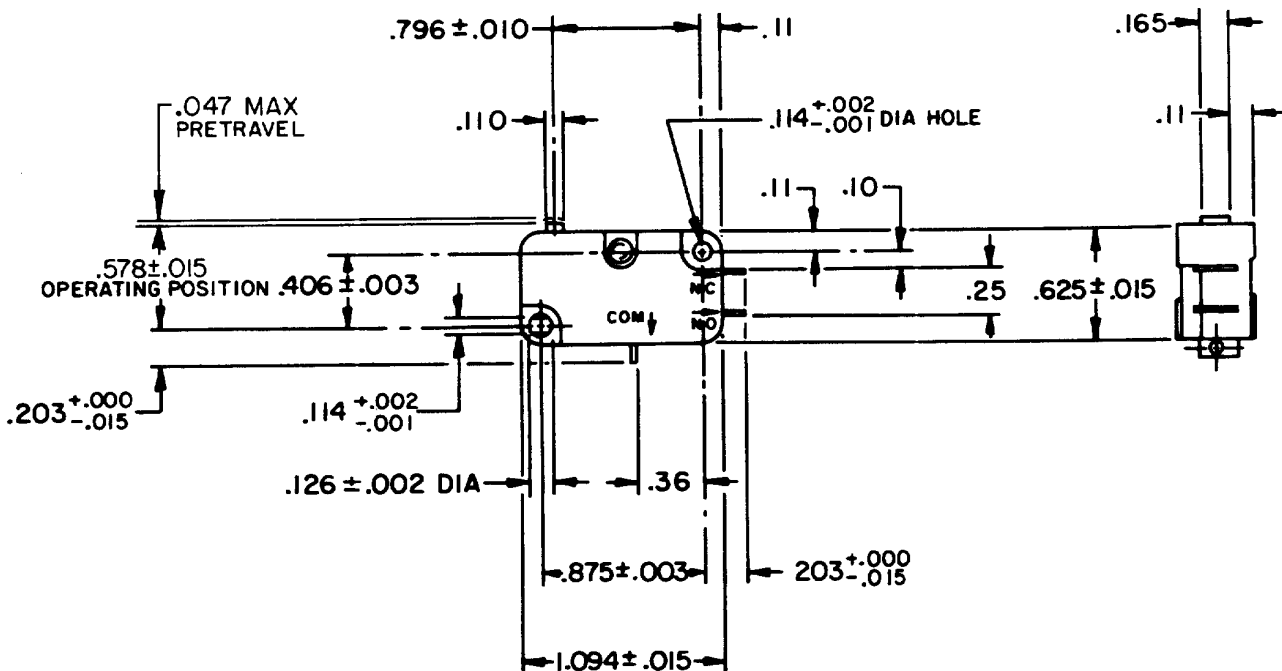
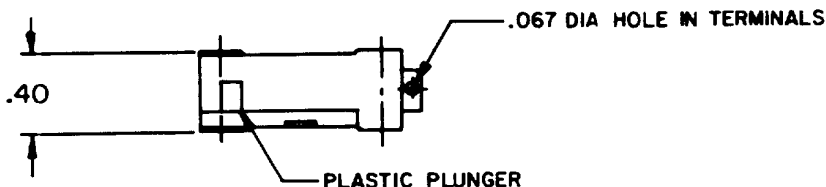
CHECK

CHECK

CHECK

CHECK

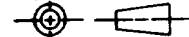
CHECK



- NOTE -
- 1 - TERMINALS ARE PLATED FOR SOLDERING
  - 2 - PLUNGER MATERIAL WILL WITHSTAND TEMPERATURE OF 300° F

THIS DRAWING COVERS A PROPRIETARY ITEM AND IS THE PROPERTY OF MICRO SWITCH, A DIVISION OF HONEYWELL. THIS DRAWING IS NOT TO BE COPIED OR USED WITHOUT THE APPROVAL OF MICRO SWITCH.

THIRD ANGLE PROJECTION



**CHARACTERISTICS**

OPERATING FORCE — — — 150 GRAM MAX  
 RELEASE FORCE — — — 15 GRAM MIN  
 DIFFERENTIAL TRAVEL — — — .001-.006  
 OVERTRAVEL — — — .050 MIN  
 FREE POSITION — — — .625 MAX  
 RELEASE TRAVEL — — — .010 MIN

**ELECTRICAL DATA**

CONTACT ARRANGEMENT  
 S P D T

L83  
 15.1A 1/2HP 125 OR 250 VAC  
 1/2A 125 VDC, 1/4A 250 VDC  
 5A 125 VAC "L"



**SCALE FULL**

DO NOT SCALE PRINT

**TOLERANCES**

APPLY TO DESIGN UNITS. CONVERSIONS ARE ONLY FOR REFERENCE. UNLESS NOTED, TOLERANCES ARE ±

	DIM.	TOL.	DIM.	TOL.
	mm	mm/in	in	mm/in
NO PLACES	X	17.04	X, X	0.87/03
ONE PLACE	X, X	0.47/016	X, XX	0.38/011
TWO PLACES	X, XX	0.167/006	X, XXX	0.13/005
THREE PLACES	X, XXX			
ANGLES				

DESIGN UNITS  METRIC  US CUSTOMARY

WEIGHT

FO-52848-A

DRAWN

J A P 21 DEC 82