

Excellent Integrated System Limited

Stocking Distributor

Click to view price, real time Inventory, Delivery & Lifecycle Information:

[Honeywell Sensing and Productivity Solutions
V3-32](#)

For any questions, you can email us directly:

sales@integrated-circuit.com

CATALOG LISTING

V3-32

CK-A3200



MICRO SWITCH

FREEPORT, ILLINOIS, U.S.A.
 A DIVISION OF HONEYWELL
 FED. MFG. CODE 91929

SWITCH - BASIC

V3-32

M

DRAWING NUMBER

ISSUE

8

12

VISIONS

CO20189

OMW

MAY 65

CO21688

M B F

OCT 66

CO31509

R E R

JAN 73

CO

36987

SMA

OCT 85

CO74635

K D R

MAY 93

REPLACES

RELEASE NO.

CHECK

VISIONS

CO20189

OMW

MAY 65

CO21688

M B F

OCT 66

CO31509

R E R

JAN 73

CO

36987

SMA

OCT 85

CO74635

K D R

MAY 93

CHECK

VISIONS

CO20189

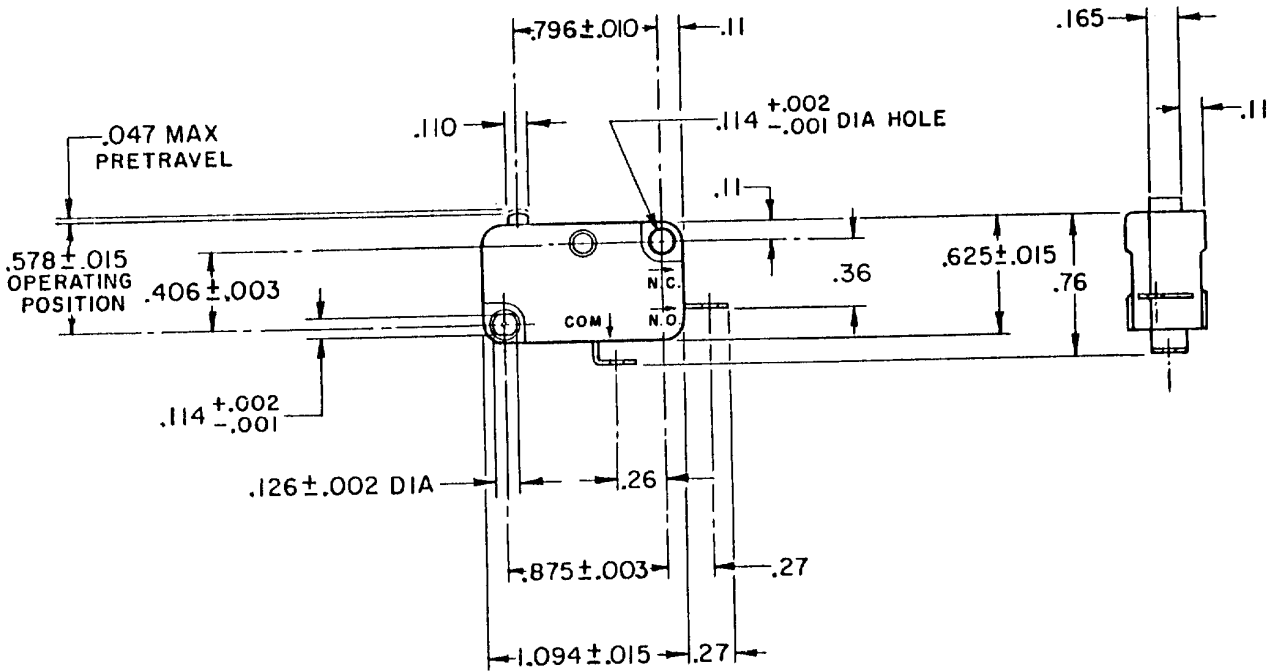
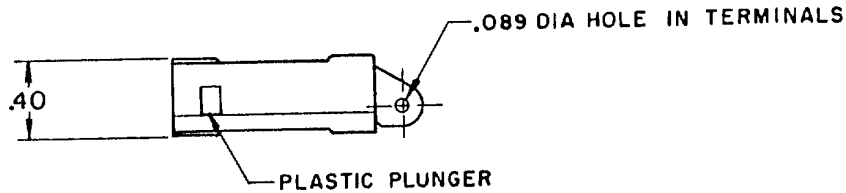
OMW

MAY 65

CO21688

M B F

PC-30376



NOTE -
 1 - TERMINALS ARE PLATED FOR SOLDERING

THIS DRAWING COVERS A PROPRIETARY ITEM AND IS THE PROPERTY OF MICRO SWITCH, A DIVISION OF HONEYWELL. THIS DRAWING IS NOT TO BE COPIED OR USED WITHOUT THE APPROVAL OF MICRO SWITCH.

CHARACTERISTICS

OPERATING FORCE ----- 6-14 OZ
 RELEASE TRAVEL ----- .007 MIN
 RELEASE FORCE ----- 4 OZ MIN
 DIFFERENTIAL TRAVEL ----- .006-.016
 OVERTRAVEL ----- .040 MIN
 FREE POSITION ----- .625 MAX

ELECTRICAL DATA

CONTACT ARRANGEMENT
 S P N O

L83
 15.1A 1/2HP 125 OR 250 VAC
 1/2A 125 VDC, 1/4A 250 VDC
 5A 125 VAC "L"



SCALE FULL

DO NOT SCALE PRINT

UNLESS OTHERWISE NOTED

DIMENSIONS ARE IN INCHES

TOLERANCES ARE:

ONE PLACE (.0) ±.030
 TWO PLACE (.00) ±.015
 THREE PLACE (.000) ±.005
 ANGLES ±

WEIGHT .016 LB