

## Excellent Integrated System Limited

Stocking Distributor

Click to view price, real time Inventory, Delivery & Lifecycle Information:

[Honeywell Sensing and Productivity Solutions  
V3L-2228](#)

For any questions, you can email us directly:

[sales@integrated-circuit.com](mailto:sales@integrated-circuit.com)

**MICRO SWITCH**  
 a Honeywell Division

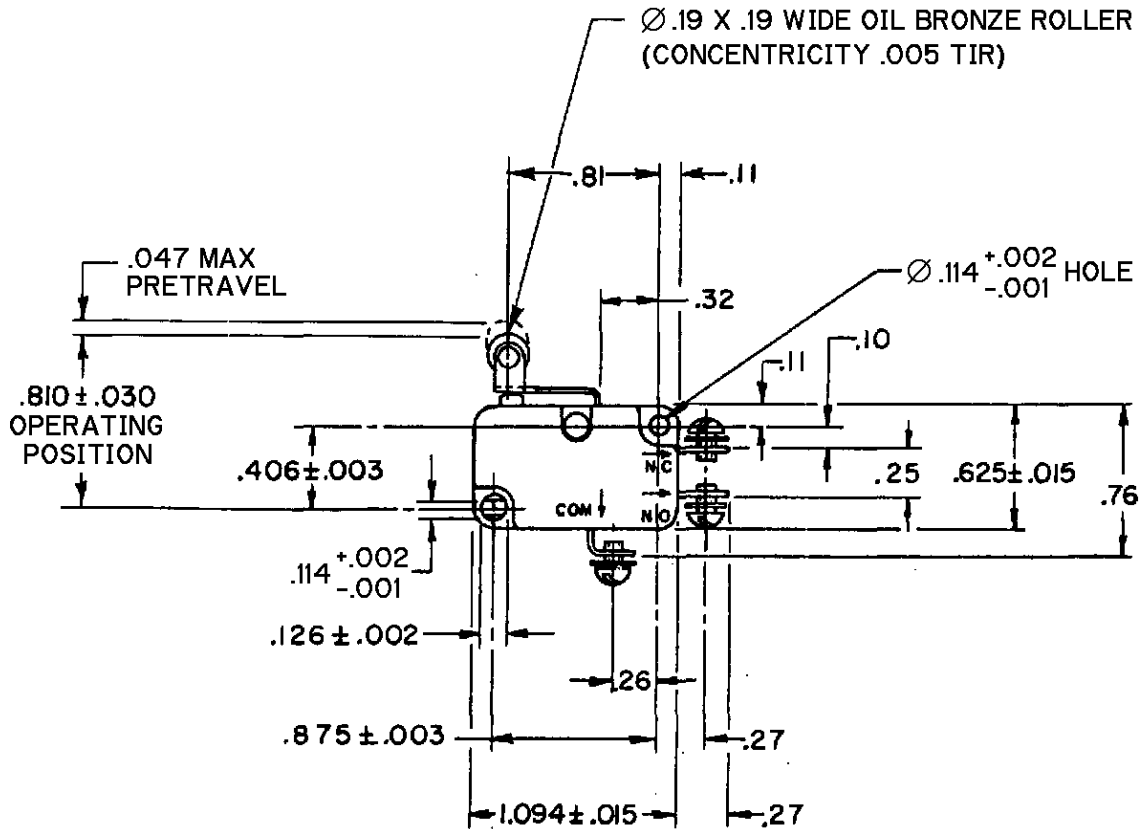
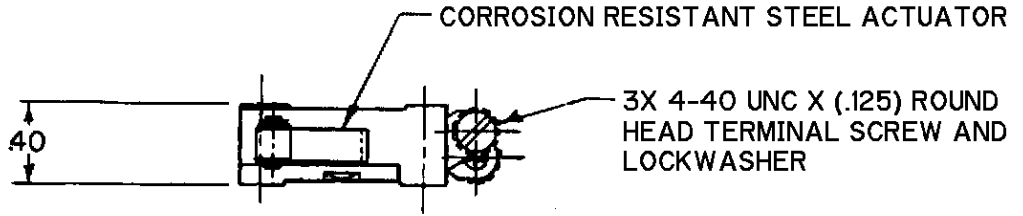
FED. MFG. CODE 91929

**SWITCH - BASIC**

CATALOG LISTING  
**V3L-2228**

**CQ-X1512**

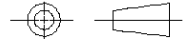
**FAA-PMA**



NOTE  
 1 - SWITCH MARKING SHALL INCLUDE "FAA-PMA"

THIS DRAWING COVERS A PROPRIETARY ITEM AND IS THE PROPERTY OF MICRO SWITCH, A DIVISION OF HONEYWELL. THIS DRAWING IS NOT TO BE COPIED OR USED WITHOUT THE APPROVAL OF MICRO SWITCH.

THIRD ANGLE PROJECTION



CHARACTERISTICS
OPERATING FORCE - - - - - 50 GRAM MAX
RELEASE FORCE - - - - - 5 GRAM MIN
DIFFERENTIAL TRAVEL - - - - .013 MAX
OVERTRAVEL - - - - - .045 MIN
RELEASE TRAVEL - - - - - .007 MIN

ELECTRICAL DATA
CONTACT ARRANGEMENT SPDT
L131
10A-1/4HP-125 OR 250 VAC 1/2A-125 VDC; 1/4A-250 VDC 3A-125 VAC "L"

SCALE	FULL	DO NOT SCALE PRINT
UNLESS OTHERWISE SPECIFIED TOLERANCES ARE		
ONE PLACE	(.0)	±.030
TWO PLACE	(.00)	±.015
THREE PLACE	(.000)	±.005
ANGLES		±
WEIGHT		



V3L-2228  
 PAGE 1 OF 1  
 ISSUE 5  
 REVISIONS:  
 A CO 93070 TSM 6 AUG 98  
 B CO- 93665 TSM 2 NOV 98  
 CHECK  
 J A F 6 AUG 98  
 CHECK  
 T S M 6 AUG 98  
 DRAWN  
 FORMTEK